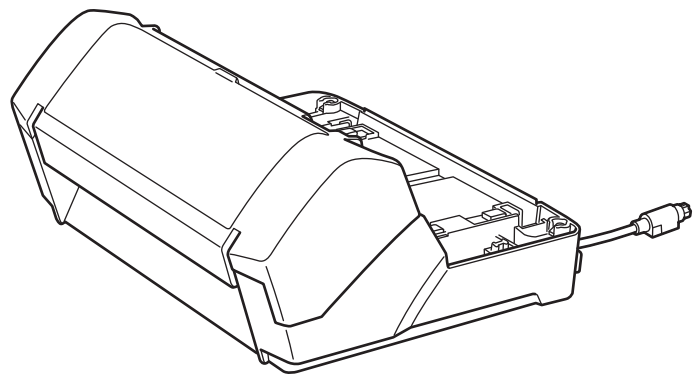


fi-718PR Imprinter

Operator's Guide



Contents

Introduction	1
1. Preparations	3
1.1. Checking the Package Contents	3
1.2. Names of Component Parts.....	3
2. Installation	4
2.1. Installing the Imprinter	4
2.2. Loading the Print Cartridge	5
2.3. Test Print	6
3. Basic Operation	8
3.1. Setting the Print Position.....	8
3.2. How to Use the Paper Guides.....	8
3.3. Print Setup	9
3.4. Replacing the Print Cartridge	10
3.5. Removing Jammed Documents	11
4. Daily Care	13
4.1. Cleaning the Print Cartridge.....	13
4.2. Cleaning the Imprinter.....	13
4.3. Cleaning the Rollers	14
4.4. Cleaning Materials.....	14
5. Error Messages	15
6. Specifications	16

- The contents of this manual are subject to change without notice.
- PFU Limited is not liable whatsoever for any damages resulting from the use of this scanner and procedures described in this manual, profit loss due to defects, and any claims by a third party.
- Copying of the contents of this manual in whole or in part and copying of the scanner applications is prohibited under the copyright.

Introduction

Thank you for purchasing the fi-718PR Imprinter option (hereinafter referred to as the "Imprinter") for the fi-7160/fi-7180 Image Scanner.

This guide explains how to install, connect, operate, and take daily care of the imprinter.

For further details about the functions and operations of the fi-7160/fi-7180 Image Scanner (hereinafter referred to as the "Scanner"), refer to the "fi-7160/fi-7260/fi-7180/fi-7280 Image Scanner Operator's Guide" included in the Setup DVD-ROM provided with the scanner.

We hope this manual will be helpful in your future use of the Imprinter.

February 2022

Safety Information

The attached "Safety Precautions" manual contains important information about the safe and correct use of this product. Make sure that you read and understand it before using the scanner.

Manufacturer

PFU Limited
YOKOHAMA i-MARK PLACE, 4-5 Minatomirai 4-chome,
Nishi-ku, Yokohama-shi, Kanagawa 220-8567 Japan.

Trademarks

PaperStream is a registered trademark of PFU Limited in Japan.

Other company names and product names are the registered trademarks or trademarks of the respective companies.

Abbreviations Used in This Manual

The operating systems and products in this manual are indicated as follows.

Product	Indication
Windows Server® 2008 R2 Standard (64-bit)	Windows Server 2008 R2 (*1)
Windows® 7 Professional (32-bit/64-bit) Windows® 7 Enterprise (32-bit/64-bit)	Windows 7 (*1)
Windows Server® 2012 Standard (64-bit)	Windows Server 2012 (*1)
Windows Server® 2012 R2 Standard (64-bit)	Windows Server 2012 R2 (*1)
Windows® 8.1 (32-bit/64-bit) Windows® 8.1 Pro (32-bit/64-bit) Windows® 8.1 Enterprise (32-bit/64-bit)	Windows 8.1 (*1)
Windows® 10 Home (32-bit/64-bit) Windows® 10 Pro (32-bit/64-bit) Windows® 10 Enterprise (32-bit/64-bit) Windows® 10 Education (32-bit/64-bit)	Windows 10 (*1)
Windows Server® 2016 Standard (64-bit)	Windows Server 2016 (*1)
Windows Server® 2019 Standard (64-bit)	Windows Server 2019 (*1)
Windows Server® 2022 Standard (64-bit)	Windows Server 2022 (*1)
Windows® 11 Home (64-bit) Windows® 11 Pro (64-bit) Windows® 11 Enterprise (64-bit) Windows® 11 Education (64-bit)	Windows 11 (*1)
PaperStream IP (TWIN) PaperStream IP (TWIN x64) PaperStream IP (ISIS) for fi-71xx/72xx	PaperStream IP driver
fi-718PR Imprinter	Imprinter
fi-7160/fi-7180 Image Scanner	Scanner
fi-7160/fi-7260/fi-7180/fi-7280 Image Scanner Operator's Guide	Operator's Guide

*1: Where there is no distinction between the different versions of the above operating system, the general term "Windows" is used.

Arrow Symbols in This Manual

Right-arrow symbols (→) are used to separate icons or menu options you should select in succession.

Example: Click the [Start] menu → [Control Panel].

Screen Examples in This Manual

Microsoft product screenshots are reprinted with permission from Microsoft Corporation. The screen examples in this manual are subject to change without notice in the interest of product improvement.

If the actual screen differs from the screen examples in this manual, operate by following the actual displayed screen while referring to the user's manual of the scanner application you are using.

The screenshots used in this manual are of Windows 7 or Windows 10. The windows that appear and the operations differ by the operating system. Also note that with some scanner models, the screens and operations may differ from this manual when you update the software. In that case, refer to the manual provided upon updating the software.

1. Preparations

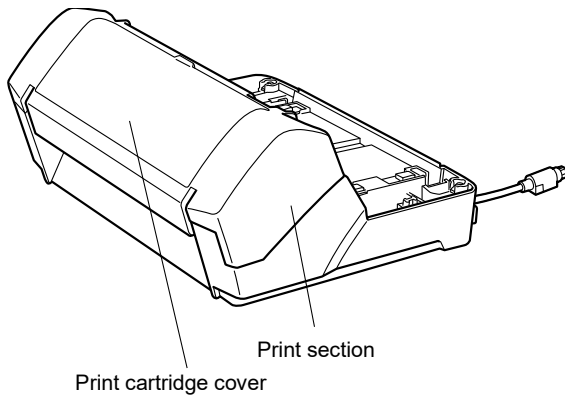
1.1. Checking the Package Contents

When you open the imprinter package, handle the main unit and its attachments carefully. Make sure it contains all the parts listed in the package contents list that is included in the imprinter package box. If any of the components are missing, contact your FUJITSU scanner dealer or an authorized FUJITSU scanner service provider.

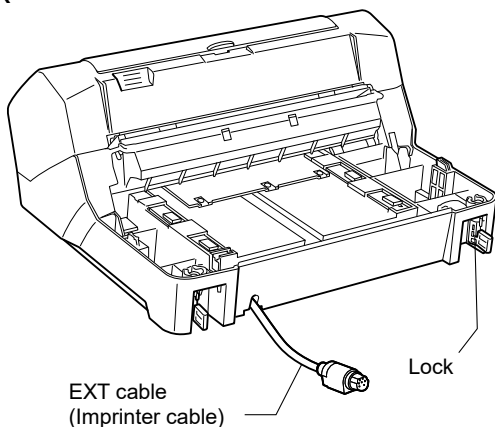
1.2. Names of Component Parts

<Imprinter Unit>

Front

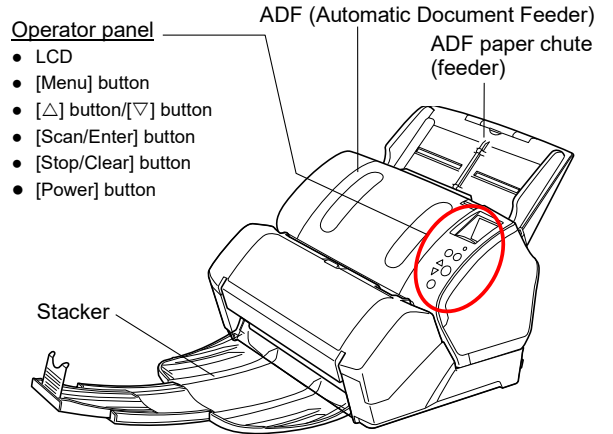


Back

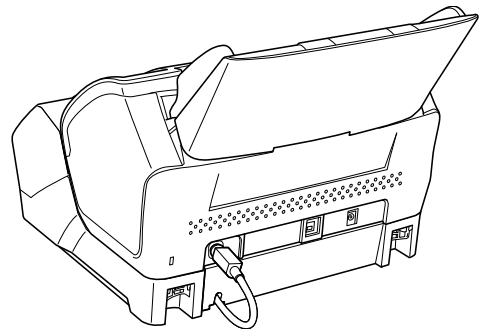


<Imprinter with Scanner Installed>

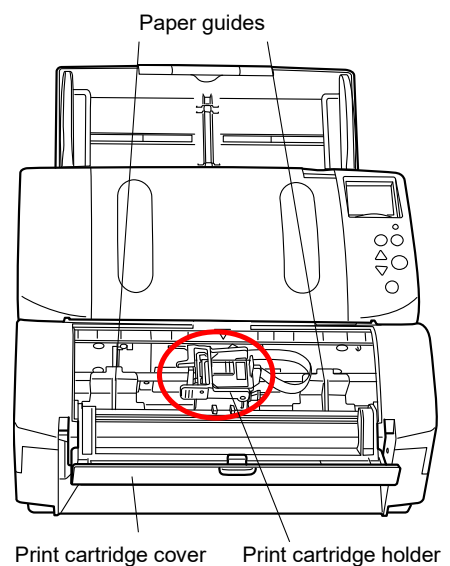
Front



Back



<Inside of the Imprinter>



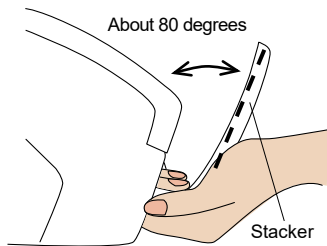
2. Installation

2.1. Installing the Imprinter

Install the imprinter in the following procedure.

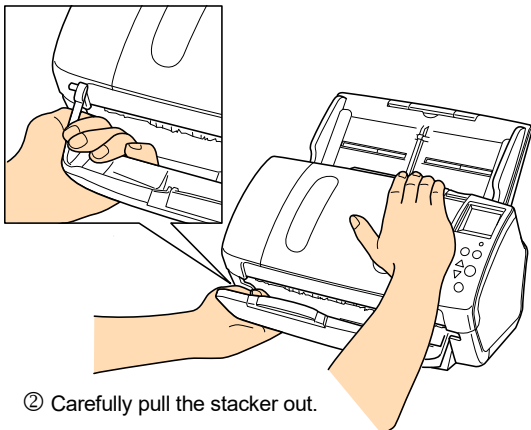
1. Turn off the scanner, and disconnect the power cable.
2. Remove the stacker from the scanner as shown below.

1) Hold the left side of the stacker with your left hand.



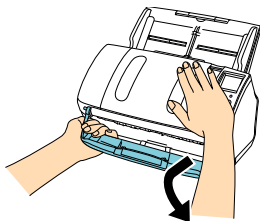
2) Gently pull the stacker as you push against the scanner with your thumb.

① Push against the scanner with your thumb.



② Carefully pull the stacker out.

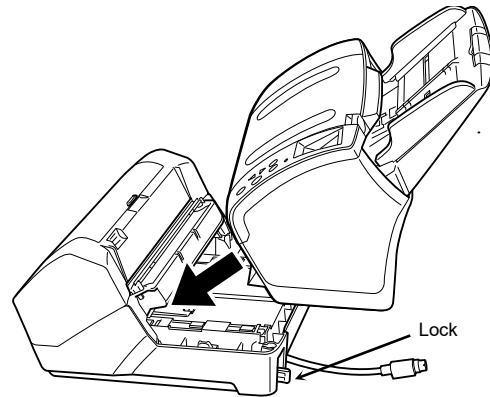
3) Once the left arm of the stacker has been released from the scanner, remove the right arm.



ATTENTION

You must remove the stacker before installing the imprinter.

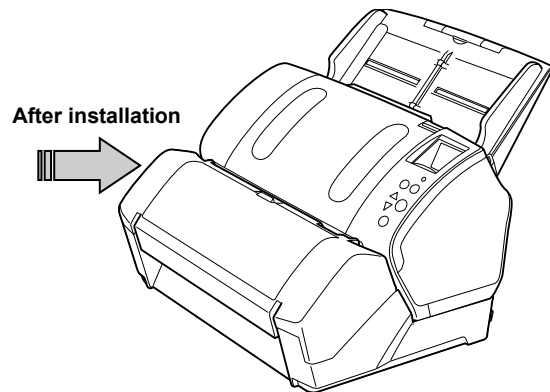
3. Install the scanner onto the imprinter.



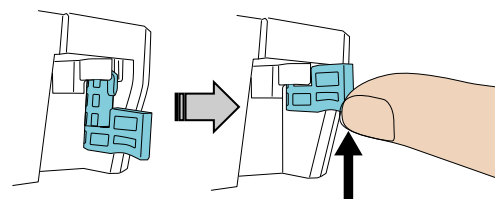
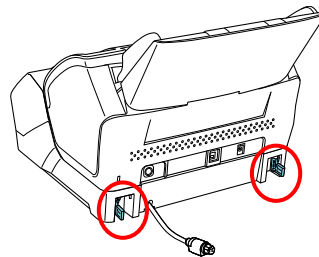
Holding the scanner above the rear side of the imprinter, gently mount the scanner onto the imprinter while lowering it forward until it makes contact with the imprinter.

ATTENTION

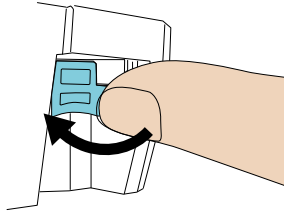
Be careful not to have your fingers caught.



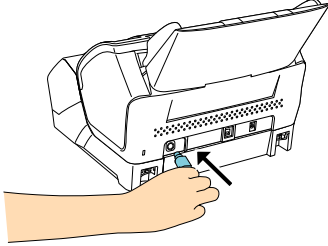
4. Raise the locks (x2) on the back of the scanner.



- Turn the locks inwards.



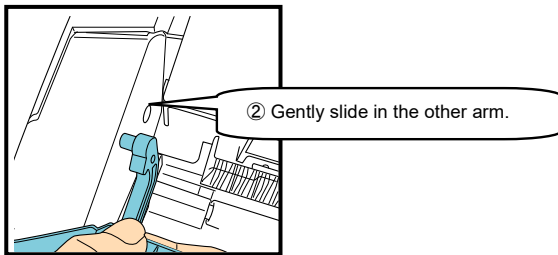
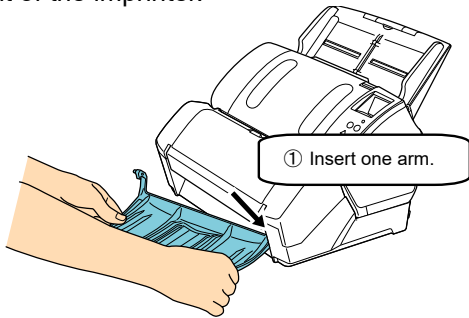
- Connect the EXT cable to the connector on the back of the scanner.



ATTENTION

The imprinter does not work if the EXT cable is not connected. Scanning without the EXT cable connected will cause paper jams inside the imprinter.

- Attach the stacker (removed in step 2) on the front of the imprinter.



- Connect the power cable to the scanner.

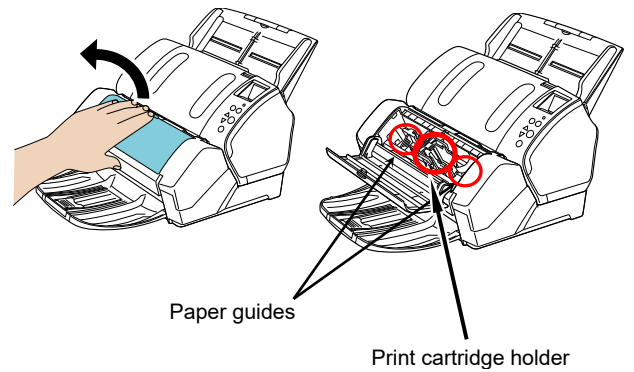
2.2. Loading the Print Cartridge

Load the print cartridge in the following procedure.

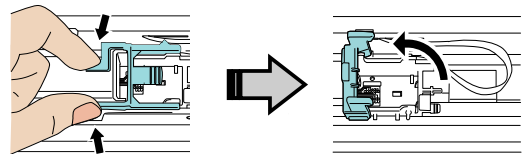
ATTENTION

When installing the print cartridge, install it properly.

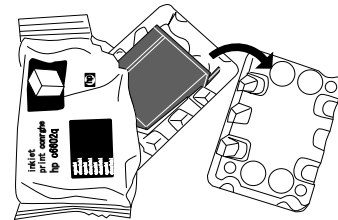
- Turn off the scanner.
- Place your hand in the middle part of the print cartridge and open it as shown below.



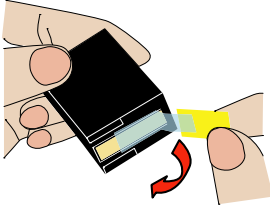
- Remove the packing tape from the print cartridge holder and the paper guides.
- Lift the print cartridge holder by pinching the lever with your fingers as shown below.



- Take out a new print cartridge.



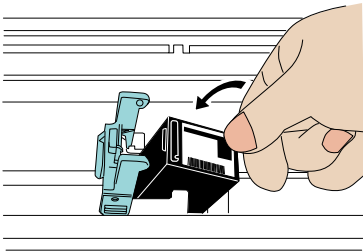
6. Remove the protective tape from the print cartridge.



ATTENTION

Do not touch the metal part of the cartridge nor put the protective tape back on.

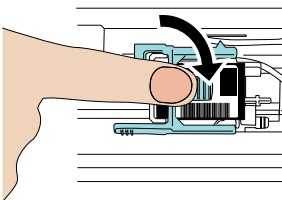
7. Place the print cartridge into the holder as shown below with its tab pointing to the right.



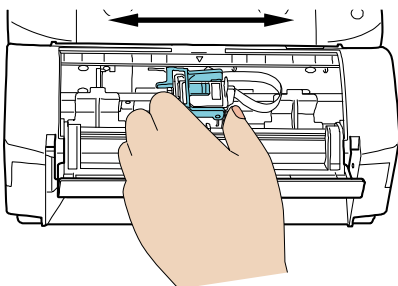
ATTENTION

Be careful not to let the print cartridge touch or catch onto the print circuit film.

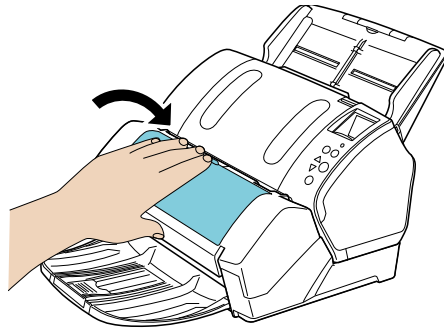
8. Lower the print cartridge holder until it locks in place.



9. Position the print cartridge holder along where the document will pass through.



10. Close the print cartridge cover.



2.3. Test Print

After installing the print cartridge, check if the printing operation can be done.

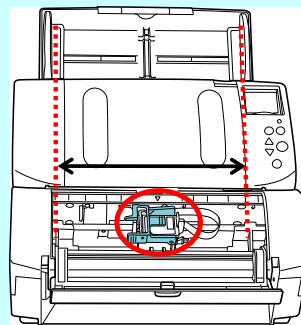
HINT

For details about the operator panel, refer to the Operator's Guide provided with the scanner.

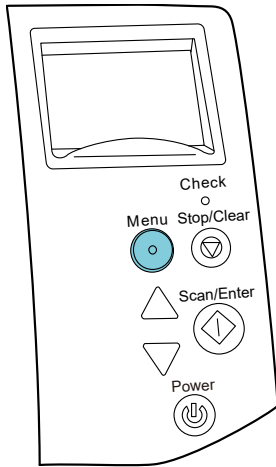
1. Press the [Power] button on the operator panel on the scanner.
⇒ The [Ready] screen is shown on the LCD.
2. Load a blank document in the ADF paper chute (feeder).

HINT

- Use an A4 or Letter size blank sheet. If the paper size is smaller than A4 or Letter, printing may not complete successfully.
- Confirm that the print cartridge is positioned within the document width.



- Press the [Menu] button.



⇒ The [Settings Menu] screen is shown on the LCD.

- Select [3: Test Print] by pressing the [△] or [▽] button, and press the [Scan/Enter] button.

⇒ The [No. of Sheets Scanned] screen is shown on the LCD.

ATTENTION

If the Imprinter is disconnected or not connected properly, [Cannot use this function because the Imprinter is not connected.] is shown on the LCD.

- Select [1: Single Sheet Only] or [2: Multiple Sheets] by pressing the [△] or [▽] button, and press the [Scan/Enter] button.

When [2: Multiple Sheets] is selected, printing is performed for all sheets set in the scanner.

⇒ The [Print Pattern] screen is shown on the LCD.

- Select a print pattern by pressing the [△] or [▽] button, and press the [Scan/Enter] button.

HINT

Print Test Patterns

Test Pattern 1 (Horizontal):
 ABCDEFGHIJKLMNOPQRSTUVWXYZ[?]_`00000000

Test Pattern 2 (Horizontal):
 abcdefghijklmnopqrstuvwxyz{|}~ 00000000

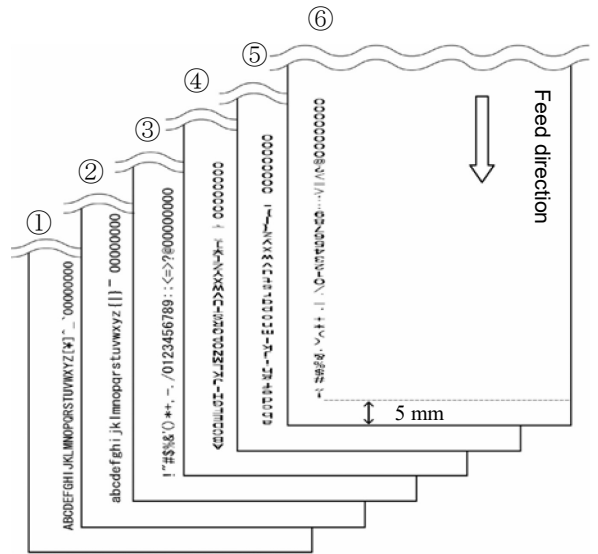
Test Pattern 3 (Horizontal):
 !"#%&'()*+,-./0123456789:;<=>?@00000000

Test Pattern 4 (Vertical):
 ABCDEFGHIJKLMNOPQRSTUVWXYZ[?]_`00000000

Test Pattern 5 (Vertical):
 abcdefghijklmnopqrstuvwxyz{|}~ 00000000

Test Pattern 6 (Vertical):
 !"#%&'()*+,-./0123456789:;<=>?@00000000

The numbering section "00000000" increases in increments of one, starting from 0 (zero).



Sample Print Out of a Test Pattern

⇒ The [Test Print] screen is shown on the LCD.

- Select [1: Yes] by pressing the [△] button or [▽] button, and press the [Scan/Enter] button.

⇒ The blank sheet is fed into the scanner, and the imprinter will print out a print test pattern leaving a 5 mm gap (with an allowance of 4 mm inwards or outwards) from the edge of the document.

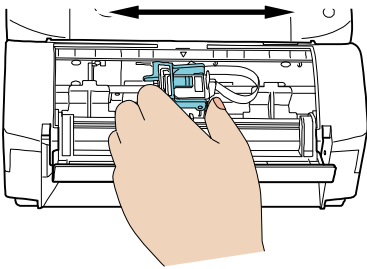
- To stop a test print, press the [Power] button on the operator panel to turn off the scanner.

3. Basic Operation

3.1. Setting the Print Position

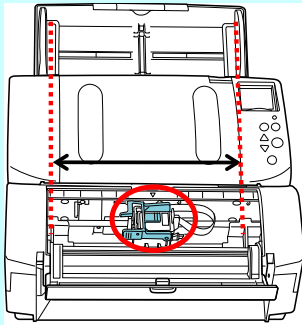
To position the print cartridge for printing:

1. Open the print cartridge cover.
2. Hold the print cartridge holder, as below, and slide it to the left or right within the document width to set it at a suitable print starting position.



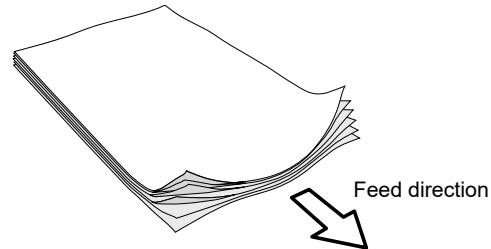
HINT

- The triangle-shaped protrusion on the locking lever of the print cartridge holder indicates the current print position on the page.
- In the upper back of the print cartridge holder are the document size markings; use them to adjust for paper sizes and printing positions.
- Put the actual document in the ADF and confirm that the print cartridge is positioned within the document's width.



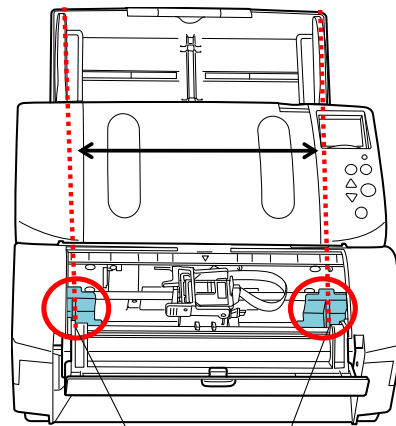
3.2. How to Use the Paper Guides

Use the paper guides to prevent paper jams due to curling of the edges, as shown below.



Place the paper guides at the ends where the paper edges will pass through.

1. Load the document in the scanner.
2. Open the print cartridge cover.
3. Slide the paper guides to the left and right edges of the paper.



Paper guides

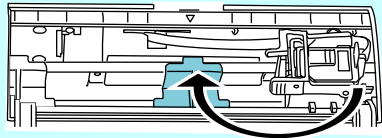
ATTENTION

Be careful not to let the paper guide touch or catch onto the print circuit film.

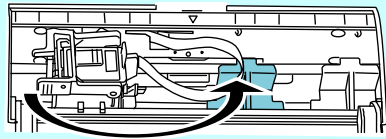
HINT

When you wish to print on a section near the edge of wide paper, remove the paper guide in order to open space for the print cartridge, and attach the removed guide in the center.

For Right-Edge Printing

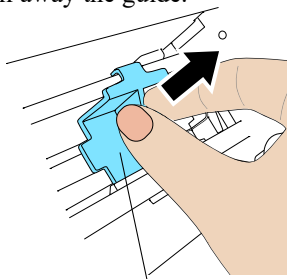


For Left-Edge Printing



<To Remove the Paper Guides>

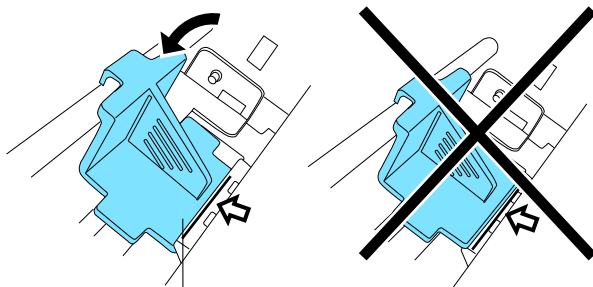
Pressing and holding together with your fingers, as below, lift up and pull away the guide.



Paper guide

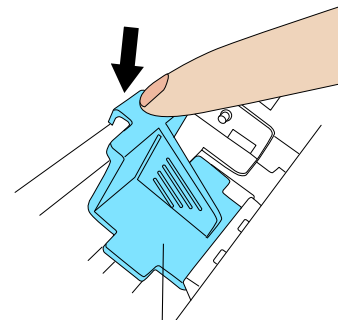
<To Attach the Paper Guides>

1. Put the paper guides in place as in the picture on the left.



Paper guide

2. Push in the top portion of the guide to fit tightly.



Paper guide

3.3. Print Setup

You can configure settings for the imprinter by using the scanner driver's setup dialog box.

HINT

How to run the scanner driver differs depending on the application. For details, refer to the manual or help of the application being used.

HINT

The following items can be specified. For details, refer to PaperStream IP Driver Help.

- Imprinter status (On or Off)
- Whether the PaperStream IP driver is synchronized with the Digital Endorser
- Printing settings (such as font type, direction, imprinting start position, imprinting string, and initial, increased and decreased values for the counter)

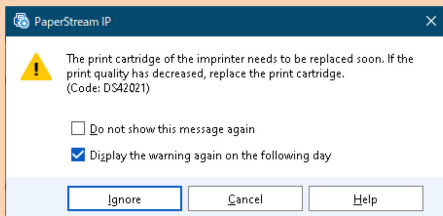
3.4. Replacing the Print Cartridge

The print cartridge is a consumable.

Replace the print cartridge in the following procedure.

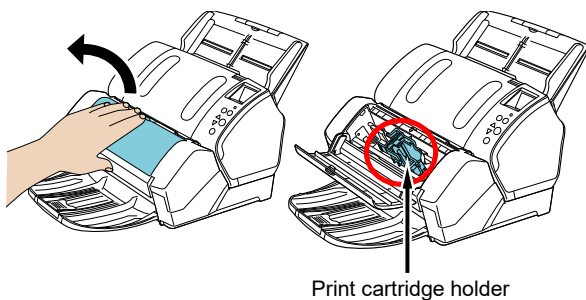
ATTENTION

- When the following message appears, replace the print cartridge as soon as possible. If you continue to print without replacing the cartridge, your print output will be faded.

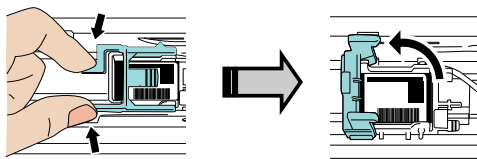


- When replacing the print cartridge with another cartridge, make sure it is installed properly.

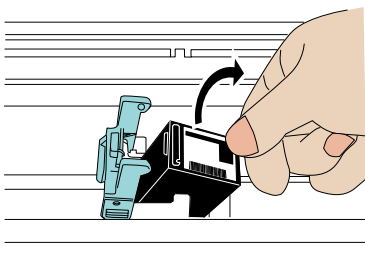
- Turn off the scanner.
- Place your hand in the middle part of the print cartridge and open it as shown below.



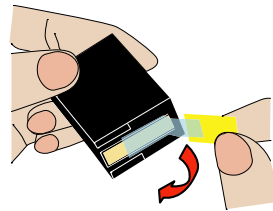
- Lift the print cartridge holder by pinching the lever with your fingers as shown below.



- Remove the print cartridge.



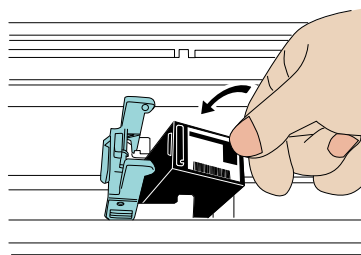
- Remove the protective tape from a new print cartridge.



ATTENTION

Do not touch the metal part of the cartridge nor put the protective tape back on.

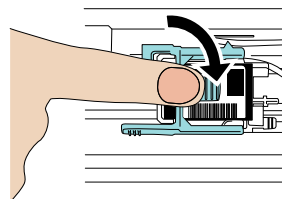
- Insert the print cartridge with its tab to the right.



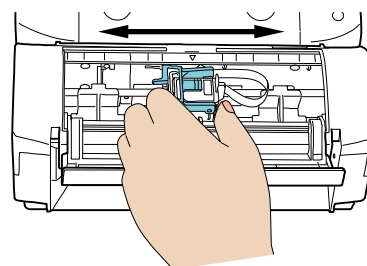
ATTENTION

Be careful not to let the print cartridge touch or catch onto the print circuit film.

- Lower the print cartridge holder until it locks in place.



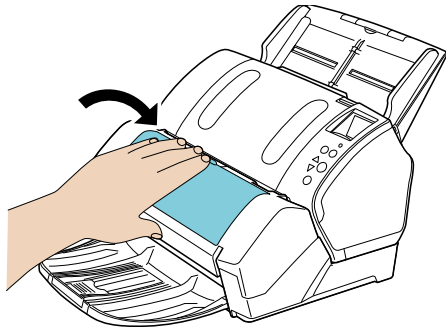
- Position the print cartridge holder along where the document will pass through.



ATTENTION

Note that when the scanner prints right up to the edge of the document, a part of the content may be printed outside the document depending on the position of the print.

- Close the print cartridge cover.

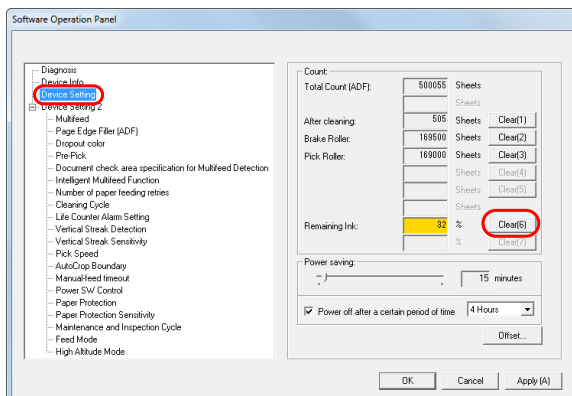


- Turn on the scanner.
- Reset the ink counter.

ATTENTION

Make sure to reset the ink counter after replacing the print cartridge.

- Display the [Software Operation Panel] window.
 - Windows Server 2008 R2/Windows 7**
Select the [Start] menu → [All Programs] → [fi Series] → [Software Operation Panel].
 - Windows Server 2012**
Right-click the Start screen, and click [All apps] on the app bar → [Software Operation Panel] under [fi Series].
 - Windows Server 2012 R2/Windows 8.1**
Click [↓] on the lower left side of the Start screen → [Software Operation Panel] under [fi Series]. To display [↓], move the mouse cursor.
 - Windows 10/Windows Server 2016/Windows Server 2019/Windows Server 2022**
Select the [Start] menu → [fi Series] → [Software Operation Panel].
 - Windows 11**
Select the [Start] menu → [All apps] → [fi Series] → [Software Operation Panel].
- From the listing on the left, select [Device Setting].



- Click the [Clear] button for the remaining ink.
 - ⇒ The counter is set to “100”.

- Click the [OK] button on the [Software Operation Panel] dialog box.
 - ⇒ A message appears.
- Click the [OK] button.
 - ⇒ The settings are saved.

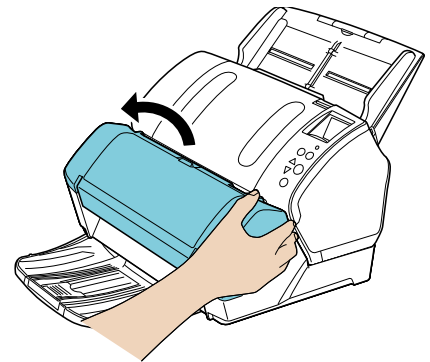
3.5. Removing Jammed Documents

When a paper jam occurs, remove the document in the following procedure.

ATTENTION

Do not use force to pull out the jammed document.

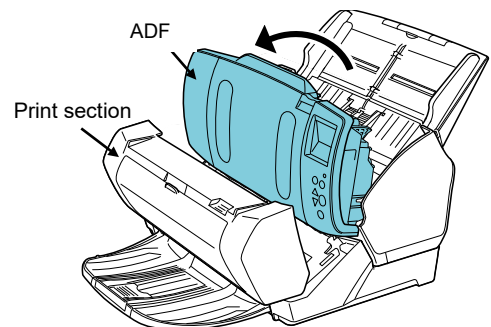
- Remove all documents from the ADF paper chute (feeder).
- Place your hand on the right side of the print section to open it, as shown below.



ATTENTION

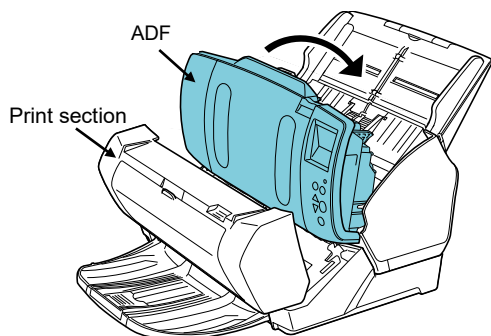
Make sure to open the print section before opening the ADF.

- Open the ADF.

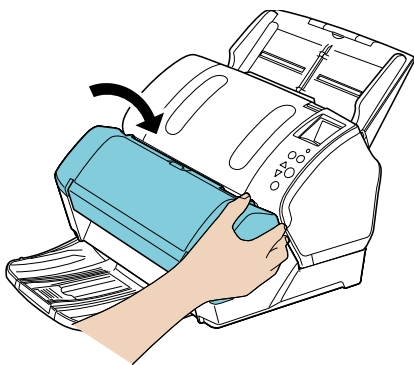


- Remove the jammed document.

5. Close the ADF.



6. Close the print section.



ATTENTION

- Confirm that the ADF is closed before closing the print section.
- Be careful not to have your fingers caught.
- Do not move the imprinter or scanner while printing.
- When you are not using the imprinter for a long time, it is recommended to remove the print cartridge.
Ink will be consumed even when printing is not performed, such as when the scanner is turned on.
- To prevent damage, do not transport the imprinter when the scanner is installed.

4. Daily Care

4.1. Cleaning the Print Cartridge

If ink gets on the nozzle plate of the print cartridge or if the imprinter has not been used for a long time, it may cause low quality prints. When this happens, clean the nozzle plate of the print cartridge.

ATTENTION

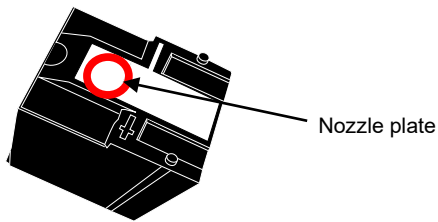
For cleaning, use a dry cloth (DO NOT use tissues), and gently wipe any dirt and stains off on the nozzle plate.

HINT

If the ink emission holes are still blocked after cleaning the print cartridge, replace it with a new cartridge.

1. Turn off the scanner.
2. Remove the print cartridge.

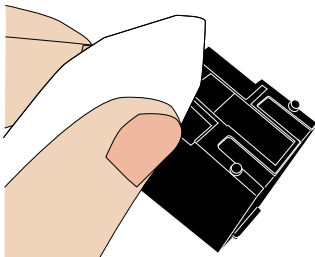
(Refer to “3.4. Replacing the Print Cartridge”)



ATTENTION

Be careful not to touch the nozzle plate or the contact part with your hand.

3. Gently wipe off the ink on the nozzle plate.



4. Confirm that the print cartridge is clean, and then install the print cartridge.

(Refer to “3.4. Replacing the Print Cartridge”)

ATTENTION

When installing the print cartridge, install it properly.

4.2. Cleaning the Imprinter

After frequent use, the waste ink will begin to accumulate on the base surface of the print cartridge holder, which can soil printouts. Always maintain the base surface clean.

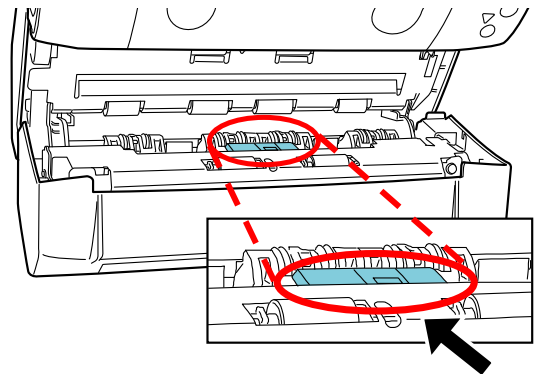
To assure high quality print outs and long use of the imprinter, adopt a daily maintenance procedure as given below.

ATTENTION

When cleaning, use an absorbent cloth or a waste cloth to wipe the ink off the surface of the base.

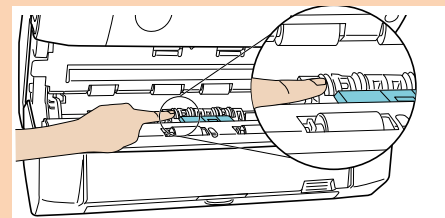
If the ink has dried, wipe it lightly with a water-moistened cloth as the ink is water-based.

1. Turn off the scanner.
2. Remove the print cartridge.
(Refer to “3.4. Replacing the Print Cartridge”)
3. Open the print section.
4. Dab the surface of the base of the print cartridge with a cloth or waste cloth to remove the ink.



ATTENTION

Be careful not to touch the metal wheels located behind the upper rollers in the print section.



5. Confirm that the print section is clean, and then close the print section.
6. Reinstall the print cartridge and close the print cartridge cover.

(Refer to “3.4. Replacing the Print Cartridge”)

4.3. Cleaning the Rollers

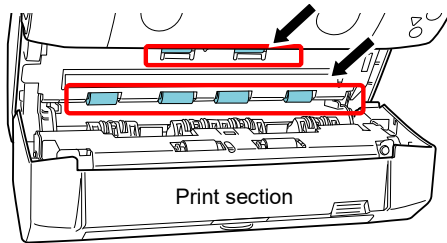
When ink or dust from paper is stuck on the feed roller surfaces, documents may not feed smoothly. To prevent feed problems, clean the roller surfaces regularly.

HINT

Cleaning should be performed approximately every 1,000 sheets scanned. Note that this guideline varies depending on the types of documents you scan.

1. Open the print section.
2. Clean the six rubber rollers.

The rollers are located as indicated below.



Gently wipe the dirt and dust off the surface of the rollers with a cloth moistened with Cleaner F1.

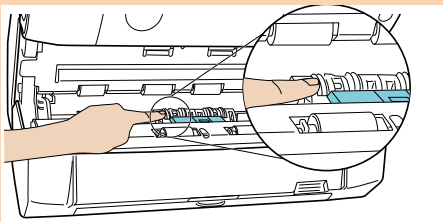
ATTENTION

It may take a long time to dry if an excessive amount of Cleaner F1 is used. Use it in small quantity. Wipe off the cleaner completely to leave no residue on the cleaned parts.

Clean the entire surface of the rubber rollers as you rotate them manually.

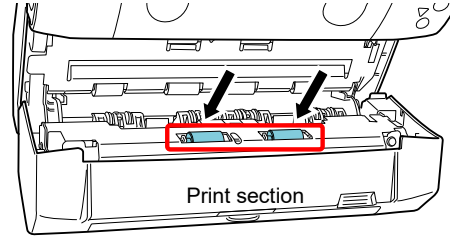
ATTENTION

When cleaning, be careful not to touch the metal wheels located behind the upper rollers in the Print section.



3. Clean the two idler rollers (black).



The rollers are located inside the print section as indicated below.



Put a piece of cloth moistened with Cleaner F1 against the roller surface, and gently wipe the rollers as you rotate them manually.

4. Confirm that the rollers are clean, and then close the print section.

4.4. Cleaning Materials

Name	Part No.	Notes
 Cleaner F1	PA03950-0352	100 ml
 Cleaning Wipe	PA03950-0419	24 packets (*1)(*2)

*1: For information about the cleaning materials, contact your FUJITSU scanner dealer or an authorized FUJITSU scanner service provider.

*2: Pre-moistened with Cleaner F1. It can be used instead of moistening a cloth with Cleaner F1.

ATTENTION

- In order to use the cleaning materials safely and correctly, read the precautions on each product thoroughly.
- It may take a long time to dry if an excessive amount of Cleaner F1 is used. Use it in a small quantity. Wipe off the cleaner completely to leave no residue on the cleaned parts.

5. Error Messages

This chapter explains the Imprinter error messages.

Error messages are displayed on the operator panel of the scanner. Refer to the error indication that is displayed for troubleshooting.

HINT

For details on the error indications that are displayed on the operator panel and other errors, refer to the Operator's Guide provided with the scanner.

Error codes and messages are displayed on the LCD.

Error Code	Error Message	Action
U5:4A (*1)	Imprinter Cover Open	Close the print section of the imprinter, and load the document again.
U6:B4	Print cartridge not installed	No print cartridge is installed. Check if the print cartridge is installed correctly. If the problem persists, write down the displayed error code and contact your FUJITSU scanner dealer or an authorized FUJITSU scanner service provider.
A0:B2	Imprinter error (RAM)	An error occurred in the imprinter. Try the following: 1. Confirm that the EXT cable of the imprinter is connected properly to the EXT connector on the back of the scanner. 2. Confirm that the print cartridge is installed correctly. 3. Turn the scanner off then back on. If the problem persists, write down the displayed error code and contact your FUJITSU scanner dealer or an authorized FUJITSU scanner service provider.
A1:B3	Imprinter error (communication timeout)	
A2:B5	Imprinter error (print head)	
A3:B6	Imprinter error (EEPROM)	
A4:B8	Imprinter error (ROM)	
H6:B1	Imprinter system error	An error occurred in the imprinter. Turn the scanner off then back on. If the problem persists, write down the displayed error code and contact your FUJITSU scanner dealer or an authorized FUJITSU scanner service provider.

*1: When you open the imprinter print section while the scanner is in standby, only an error message will appear without an error code. Also, note that buttons on the operator panel are disabled while the imprinter print section is open.

6. Specifications

Item	Specification
Printing Method	Thermal inkjet printing
Print Timing	Post printing
Printing Characters	Alphabet : A to Z, a to z Numeric characters : 0, 1 to 9 Symbols : !" \$ % & ' () * + , - . / : ; < = > ? @ [¥] ^ _ { } ~
Maximum number of characters per line	Maximum 43 characters
Print orientation	Normal, Bold: 0°, 180° (horizontal), 90°, 270° (vertical) Narrow : 0°, 180° (horizontal)
Character size	Normal, Bold: Height 2.91 × width 2.82 mm (horizontal orientation), Height 2.82 × width 2.91 mm (vertical orientation) Narrow : Height 2.91 × width 2.12 mm (horizontal orientation)
Character pitch	3.53 mm (Normal, Bold), 2.54 mm (Narrow)
Font Style	Regular, Bold
Character width	Normal, Bold, Narrow
Document that can be scanned	Documents that can be scanned with the scanner For details, refer to the Operator's Guide provided with the scanner. Note that the paper size and weight are as follows: - Maximum size (width × length) 216 mm × 355.6 mm/8.5 in. × 14 in. - Minimum size (width × length) 50.8 mm × 54 mm/2.00 in. × 2.13 in. - Paper weight 52 to 127 g/m ² (14 to 34 lb) ATTENTION <ul style="list-style-type: none"> Documents with glossy surface such as thermal paper, thermal transfer paper, coated paper, and art paper take longer time for the ink to dry and may cause poor print quality. The imprinter must be cleaned more frequently if you use these types of papers. Thick plastic documents such as credit cards and a Carrier Sheet cannot be scanned when the imprinter is installed.
Printing area	<p>A=5 mm B=5 mm C=5 mm D=5 mm (0.20 in.)</p> <p>ATTENTION Do not print within 5 mm from the edge of the document.</p>
Accuracy of Printing position	±4 mm from the starting point for feed direction
Dimension	Without scanner : 300(W) × 255(D) × 136(H) mm / 11.81(W) × 10.04(D) × 5.35(H) in. With scanner : 300(W) × 266(D) × 208(H) mm / 11.81(W) × 10.47(D) × 8.91(H) in. (Excluding the interface cable, ADF paper chute (feeder) and stacker)
Weight	2.7 kg (5.95 lb)

Ambient condition	Temperature: 10 to 35°C (50 to 95 °F), Humidity: 20 to 80%
Consumable	Print Cartridge (P/N: CA00050-0262) The printable number of characters: 4,000,000 characters (May decrease depending on the font selection) Replacement cycle : 4,000,000 characters or six months after opening