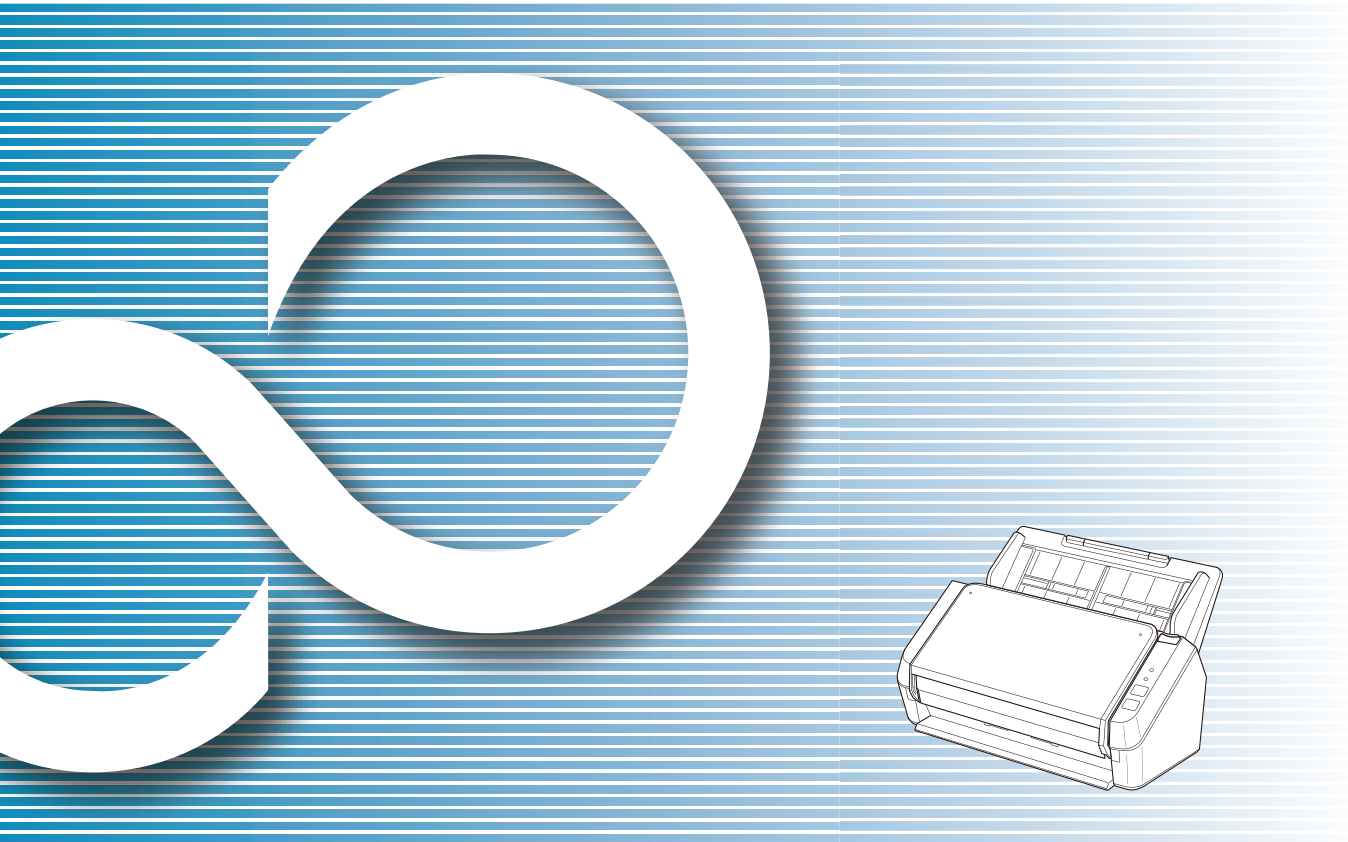


# SP-1120/SP-1125/SP-1130

## Image Scanner

# Operator's Guide

Thank you for purchasing our Color Image Scanner SP Series.  
 This manual explains about the basic operations and handling of the scanner.  
 For details about scanner installation and connections, refer to the Quick Installation Sheet.



- TOP
- Contents
- Index
- Introduction
- Scanner Overview
- How to Load Documents
- How to Use the Operator Panel
- Various Ways to Scan
- Daily Care
- Replacing the Consumables
- Troubleshooting
- Operational Settings
- Appendix
- Glossary

- Explains the names and functions of parts and basic scanner operation.
- Explains how to load documents on the scanner.
- Explains how to use the Operator Panel.
- Explains about various ways of scanning.
- Explains how to clean the scanner.
- Explains how to replace the consumables.
- Explains about troubleshooting.
- Explains how to configure settings in the Software Operation Panel.



# Introduction

Thank you for purchasing our Color Image Scanner SP Series.

## About This Product

"This product" refers to the following three models of Color Image Scanner: SP-1120, SP-1125, and SP-1130.

Each scanner is equipped with an Automatic Document Feeder (ADF) that allows duplex (double-sided) scanning, and supports USB interfaces.

The following table shows the differences between each scanner model.

Model	Scanner type	Scanning speed (*1)
SP-1120	ADF	20 ppm/40 ipm
SP-1125	ADF	25 ppm/50 ipm
SP-1130	ADF	30 ppm/60 ipm

\*1: When scanning A4 size documents at 300 dpi with JPEG compression.

## Manuals

The following manuals are included for this product. Read them as needed.

Manual	Description
Safety Precautions (paper, PDF)	Contains important information about the safe use of this product. Make sure to read this manual before using the scanner. The PDF version is included in the Setup DVD-ROM.
Quick Installation Sheet (paper)	Explains how to install and configure the scanner.
Operator's Guide (this manual) (PDF)	Provides detailed information on how to operate and maintain the scanner daily, how to replace the consumables, and how to troubleshoot problems. Included in the Setup DVD-ROM.
Scanner Central Admin User's Guide (PDF)	Provides overview, installation procedure, operation procedure and maintenance procedure of Scanner Central Admin. Included in the Setup DVD-ROM.
Error Recovery Guide (HTML Help)	Details the status of the scanner and explains how to resolve problems encountered. Contains movies that explain how to clean and replace the consumables. Included in the Setup DVD-ROM.

Manual	Description
Help (scanner driver)	Explains how to use and configure the settings for the scanner drivers. Can be referenced from each scanner driver.
Help (application)	Explains how to use and configure the settings for the application software. Can be referenced from each application.

## Trademarks

ISIS is a trademark of Open Text.

Adobe, Acrobat, and Reader are either registered trademarks or trade names of Adobe Systems Incorporated in the United States and/or other countries.

Intel, Pentium, and Intel Core are trademarks of Intel Corporation or its subsidiaries in the U.S. and/or other countries.

ABBYY™ FineReader™ Sprint

© 2014-2016 ABBYY, All rights reserved.

ABBYY and FineReader are trademarks of ABBYY Software, Ltd. which may be registered in some jurisdictions.

Presto!™ PageManager™

© 2002-2016, NewSoft Technology Corp. All Rights Reserved.

NewSoft, Presto! and PageManager are either registered trademarks or trademarks of NewSoft Technology Corp.

PaperStream is a registered trademark of PFU Limited in Japan.

Other company names and product names are the registered trademarks or trademarks of the respective companies.

## Manufacturer

PFU Limited

YOKOHAMA i-MARK PLACE, 4-4-5 Minatomirai, Nishi-ku, Yokohama, Kanagawa, 220-8567, Japan

© PFU Limited 2015-2019

TOP

Contents

Index

Introduction

Scanner  
Overview

How to Load  
Documents

How to Use the  
Operator Panel

Various Ways to  
Scan

Daily Care

Replacing the  
Consumables

Troubleshooting

Operational  
Settings

Appendix

Glossary

# Conventions

## Safety Information

The attached "Safety Precautions" manual contains important information about the safe and correct use of this product. Make sure that you read and understand it before using the scanner.

## Symbols Used in This Manual

The following indications are used in this manual to obviate any chance of accident or damage to you, people near you, and your property. Warning labels consist of a symbol indicating the severity and a warning statement. The symbols and their meanings are as follows.



This indication alerts operators of an operation that, if not strictly observed, may result in severe injury or death.



This indication alerts operators of an operation that, if not strictly observed, may result in safety hazards to personnel or damage to the product.

## Abbreviations Used in This Manual

The operating systems and products in this manual are indicated as follows.

Name	Indication
Windows Server® 2008 Standard (32-bit/64-bit)	Windows Server 2008 (*1)
Windows Server® 2008 R2 Standard (64-bit)	
Windows® 7 Home Premium (32-bit/64-bit)	Windows 7 (*1)
Windows® 7 Professional (32-bit/64-bit)	
Windows® 7 Enterprise (32-bit/64-bit)	
Windows® 7 Ultimate (32-bit/64-bit)	
Windows Server® 2012 Standard (64-bit)	Windows Server 2012 (*1)
Windows Server® 2012 R2 Standard (64-bit)	Windows Server 2012 R2 (*1)
Windows® 8.1 (32-bit/64-bit)	Windows 8.1 (*1)
Windows® 8.1 Pro (32-bit/64-bit)	
Windows® 8.1 Enterprise (32-bit/64-bit)	

Name	Indication
Windows® 10 Home (32-bit/64-bit)	Windows 10 (*1)
Windows® 10 Pro (32-bit/64-bit)	
Windows® 10 Enterprise (32-bit/64-bit)	
Windows® 10 Education (32-bit/64-bit)	
Windows Server® 2016 Standard (64-bit)	Windows Server 2016 (*1)
Windows Server® 2019 Standard (64-bit)	Windows Server 2019 (*1)
Microsoft® Word	Word
Microsoft® Office Word	
Microsoft® Excel®	Excel
Microsoft® Office Excel®	
Presto!™ PageManager™	Presto! PageManager
ABBYY™ FineReader™ Sprint	ABBYY FineReader Sprint
PaperStream IP (TWAIN) for SP Series	PaperStream IP driver
PaperStream IP (TWAIN x64) for SP Series	
PaperStream IP (ISIS) for SP Series	

\*1: Where there is no distinction between the different versions of the above operating system, the general term "Windows" is used.

## Arrow Symbols in This Manual

Right-arrow symbols (→) are used to separate icons or menu options you should select in succession.

Example: Click [Start] menu → [Control Panel].

## Screen Examples in This Manual

Microsoft product screenshots are reprinted with permission from Microsoft Corporation.

The screen examples in this manual are subject to change without notice in the interest of product improvement.

If the actual displayed screen differs from the screen examples in this manual, operate by following the actual displayed screen while referring to the user's manual of the scanner application that you are using.

The screen examples used in this manual are of the PaperStream IP driver.

The screenshots used in this manual are of Windows 7. The actual windows and operations may differ depending on the operating system. Also, note that with some scanner models, the screens and operations may differ from this manual when you update the PaperStream IP driver. In that case, refer to the manual provided upon updating the driver.

# Contents

How to Use This Manual .....	2
Introduction .....	3
Conventions .....	5
<b>Chapter 1 Scanner Overview .....</b>	<b>11</b>
<b>1.1 Main Features .....</b>	<b>12</b>
<b>1.2 Parts and Functions .....</b>	<b>13</b>
<b>1.3 Turning the Power ON/OFF .....</b>	<b>16</b>
Turning the Power ON.....	16
Turning the Power OFF.....	16
<b>1.4 Opening/Closing the ADF .....</b>	<b>17</b>
How to Open the ADF .....	17
How to Close the ADF.....	17
<b>1.5 Setting Up the ADF Paper Chute (Feeder) .....</b>	<b>18</b>
<b>1.6 Setting Up the Stacker .....</b>	<b>19</b>
<b>1.7 Power Saving Mode .....</b>	<b>21</b>
<b>1.8 Basic Flow of Scanning Operation .....</b>	<b>22</b>
<b>1.9 Bundled Software .....</b>	<b>24</b>
Bundled Software Overview .....	24
System Requirements .....	25
How to Install the Bundled Software .....	26
<b>Chapter 2 How to Load Documents .....</b>	<b>27</b>
<b>2.1 Loading Documents .....</b>	<b>28</b>
Preparation.....	28
How to Load Documents .....	29

TOP
Contents
Index
Introduction
Scanner Overview
How to Load Documents
How to Use the Operator Panel
Various Ways to Scan
Daily Care
Replacing the Consumables
Troubleshooting
Operational Settings
Appendix
Glossary



<b>2.2 Documents for Scanning .....</b>	<b>30</b>
Paper Size .....	30
Conditions .....	30
Loading Capacity.....	33
Area Not to be Perforated .....	34
Conditions for Multifeed Detection .....	34
Conditions for Mixed Batch Scanning .....	35
Conditions for Automatic Page Size Detection.....	37
<b>Chapter 3 How to Use the Operator Panel .....</b>	<b>38</b>
<b>3.1 Operator Panel .....</b>	<b>39</b>
Names and Functions .....	39
Signals on the Indicator.....	40
<b>Chapter 4 Various Ways to Scan .....</b>	<b>41</b>
<b>4.1 Summary .....</b>	<b>42</b>
<b>4.2 Scanning Documents of Different Types and Sizes .....</b>	<b>43</b>
Documents with Different Widths .....	43
Long Page Scanning .....	44
<b>4.3 Advanced Scanning .....</b>	<b>46</b>
Using a Button on the Scanner to Start Scanning.....	46
<b>Chapter 5 Daily Care .....</b>	<b>48</b>
<b>5.1 Cleaning Materials and Locations that Require Cleaning .....</b>	<b>49</b>
Cleaning Materials.....	49
Location and Frequency.....	50
<b>5.2 Cleaning the Outside .....</b>	<b>51</b>
<b>5.3 Cleaning the Inside .....</b>	<b>52</b>
Cleaning the ADF (with Cleaning Paper) .....	52
Cleaning the ADF (with Cloth).....	53



<b>Chapter 6 Replacing the Consumables</b> .....	<b>57</b>
<b>6.1 Consumables and Replacement Cycles</b> .....	<b>58</b>
<b>6.2 Replacing the Roller Set</b> .....	<b>59</b>
<b>Chapter 7 Troubleshooting</b> .....	<b>62</b>
<b>7.1 Paper Jam</b> .....	<b>63</b>
<b>7.2 Error Indications on Operator Panel</b> .....	<b>65</b>
Temporary Errors .....	66
Device Errors.....	67
<b>7.3 Troubleshooting Problems</b> .....	<b>68</b>
Scanner cannot be powered ON.....	69
Scanning does not start.....	70
The image quality of pictures/photos is poor or dirty.....	71
Quality of scanned text or lines is unsatisfactory.....	72
Images are distorted or not clear.....	73
Vertical streaks appear on the scanned image.....	74
When the scanner is turned on, the check indicator on the operator panel turns on or flashes.....	75
Multifeed error occurs frequently.....	76
Situation in which the document is not fed into the ADF occurs frequently.....	77
Paper jams/pick errors occur frequently.....	78
Scanned images turn out elongated.....	79
A shadow appears at the top or the bottom of the scanned image.....	80
There are black traces on the document.....	81
<b>7.4 Before You Contact the Scanner Service Provider</b> .....	<b>82</b>
General.....	82
Error Status .....	82
<b>7.5 Checking the Product Labels</b> .....	<b>84</b>
Location.....	84

TOP
Contents
Index
Introduction
Scanner Overview
How to Load Documents
How to Use the Operator Panel
Various Ways to Scan
Daily Care
Replacing the Consumables
Troubleshooting
Operational Settings
Appendix
Glossary

<b>Chapter 8 Operational Settings</b> .....	<b>85</b>
<b>8.1 Starting Up the Software Operation Panel</b> .....	<b>86</b>
<b>8.2 Password Setting for the Software Operation Panel</b> .....	<b>88</b>
Setting a Password .....	88
Setting [View Only mode] .....	89
Clearing [View Only mode] .....	90
Changing the Password .....	91
Clearing the Password .....	92
Resetting the Password .....	93
<b>8.3 Configuration Items</b> .....	<b>94</b>
Device Setting .....	94
<b>8.4 Settings Related to Sheet Counters</b> .....	<b>96</b>
Checking and Resetting the Sheet Counters .....	96
<b>8.5 Settings Related to Waiting Time</b> .....	<b>98</b>
Waiting Time to Enter Power Saving Mode (Power saving) .....	98
<b>Appendix</b> .....	<b>99</b>
<b>A.1 Basic Specification</b> .....	<b>100</b>
<b>A.2 Installation Specifications</b> .....	<b>102</b>
<b>A.3 Outer Dimensions</b> .....	<b>103</b>
<b>A.4 Uninstalling the Software</b> .....	<b>104</b>
<b>Customer Support</b> .....	<b>105</b>
<b>Glossary</b> .....	<b>106</b>
<b>Index</b> .....	<b>115</b>

TOP
Contents
Index
Introduction
Scanner Overview
How to Load Documents
How to Use the Operator Panel
Various Ways to Scan
Daily Care
Replacing the Consumables
Troubleshooting
Operational Settings
Appendix
Glossary

# Chapter 1 Scanner Overview

---

This chapter explains about the names and functions of the scanner components, as well as the methods for basic operations.

1.1 Main Features.....	12
1.2 Parts and Functions.....	13
1.3 Turning the Power ON/OFF.....	16
1.4 Opening/Closing the ADF.....	17
1.5 Setting Up the ADF Paper Chute (Feeder).....	18
1.6 Setting Up the Stacker.....	19
1.7 Power Saving Mode.....	21
1.8 Basic Flow of Scanning Operation.....	22
1.9 Bundled Software.....	24

## 1.1 Main Features

This section explains about the main features of this product. The scanner is equipped with the following features:

### High speed scanning

Realizes a scanning speed of 20 ppm/40 ipm (SP-1120) (\*1), 25 ppm/50 ipm (SP-1125) (\*1), or 30 ppm/60 ipm (SP-1130) (\*1). Furthermore, you can load up to 50 sheets of documents for continuous scanning which allows you to quickly digitize a large volume of documents.

### Improved efficiency for pre-scan work

The scanner can perform "batch scanning" which allows you to scan documents with different paper sizes at once, simplifying the process of sorting the documents before scanning.

### Reduced work loss caused by multifeeds

The scanner has an ultrasonic multifeed sensor that accurately detects multifeed errors where two or more sheets are fed through the scanner at once. This multifeed detection is reliable even when scanning a mixed batch of documents with different paper sizes, avoiding potential work loss.

### Central administration of scanner

The bundled application "Scanner Central Admin Agent" allows central administration of multiple scanners. For example, you can update the scanner settings and drivers and monitor the operating status of the scanner.

For details, refer to the Scanner Central Admin User's Guide.

\*1: When scanning A4 size documents at 300 dpi with JPEG compression.

TOP

Contents

Index

Introduction

Scanner  
Overview

How to Load  
Documents

How to Use the  
Operator Panel

Various Ways to  
Scan

Daily Care

Replacing the  
Consumables

Troubleshooting

Operational  
Settings

Appendix

Glossary

## 1.2 Parts and Functions

This section shows the names of the scanner parts.

### ■ Front

#### Side guide

Guides the documents in the ADF paper chute (feeder) in the sideways as they are fed into the scanner.

#### ADF

Pulls and feeds the documents one sheet at a time from the ADF paper chute (feeder).  
Open to replace consumables or clean the inside of the scanner.

#### Stacker

Stacks up the ejected documents.

#### Stacker extension 1

Lift up towards you to adjust to the document length.

#### Stacker extension 2

Lift up towards you to adjust to the document length.

#### ADF paper chute (feeder)

Holds the documents to be scanned.

#### Chute extension 2

Pull out to adjust to the document length.

#### Chute extension 1

Pull out to adjust to the document length.

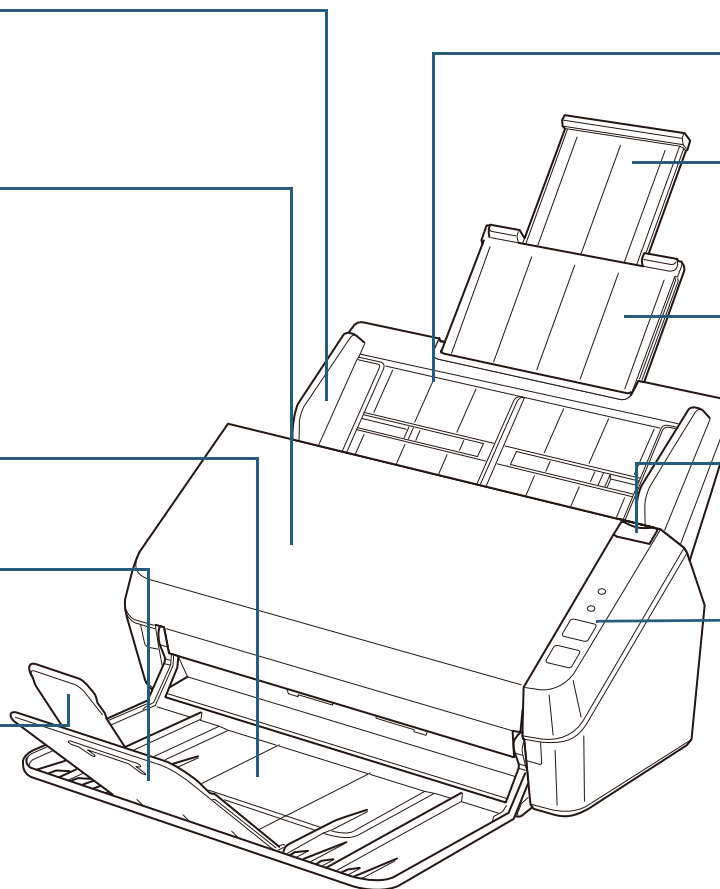
#### ADF release tab

Pull this tab to open the ADF.

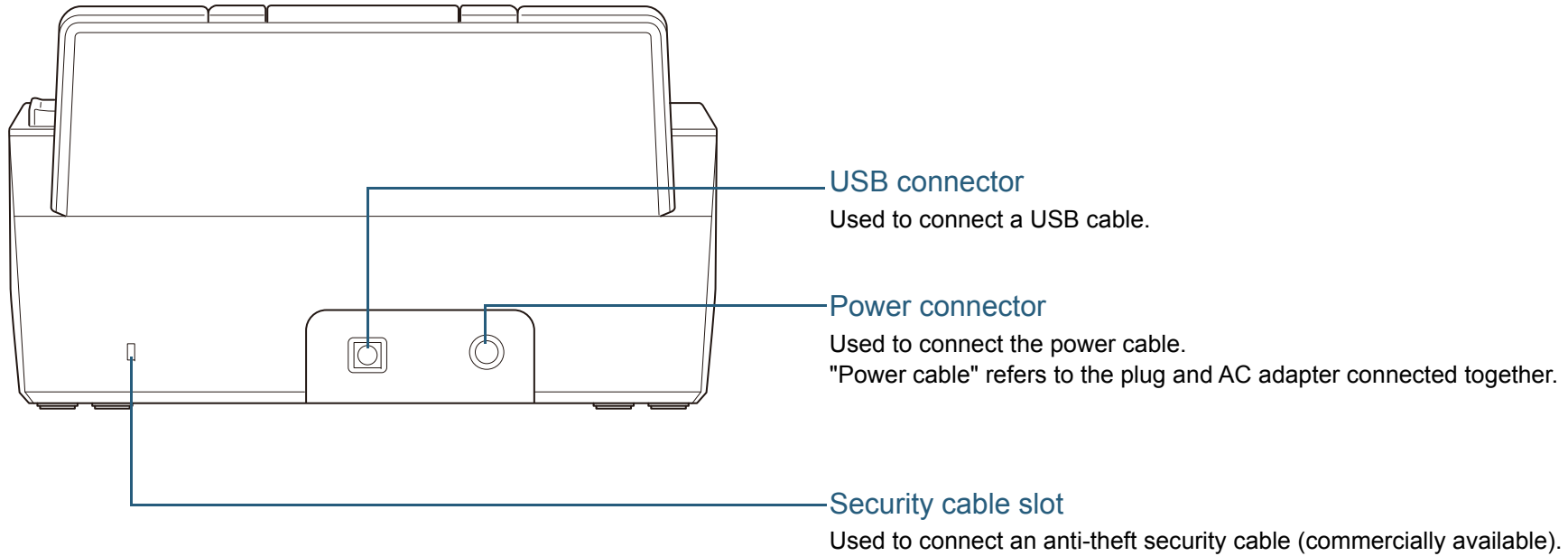
#### Operator panel

Consists of buttons and indicators.  
Used to operate the scanner or check the status.

For details, refer to "[Chapter 3 How to Use the Operator Panel](#)" (page 38).



■ Back



TOP

Contents

Index

Introduction

Scanner Overview

How to Load Documents

How to Use the Operator Panel

Various Ways to Scan

Daily Care

Replacing the Consumables

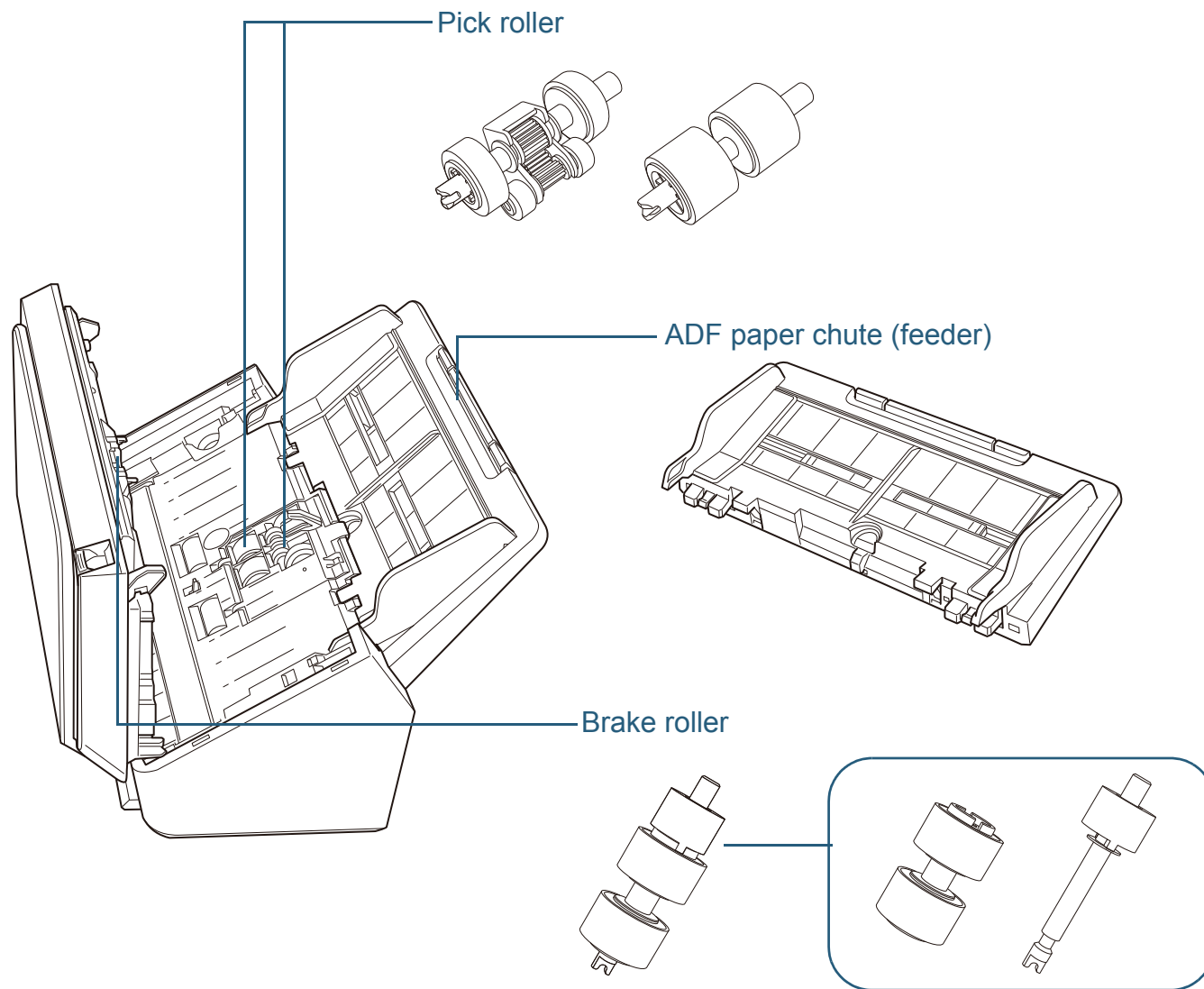
Troubleshooting

Operational Settings

Appendix

Glossary

## Removable Parts



TOP

Contents

Index

Introduction

Scanner Overview

How to Load Documents

How to Use the Operator Panel

Various Ways to Scan

Daily Care

Replacing the Consumables

Troubleshooting

Operational Settings

Appendix

Glossary

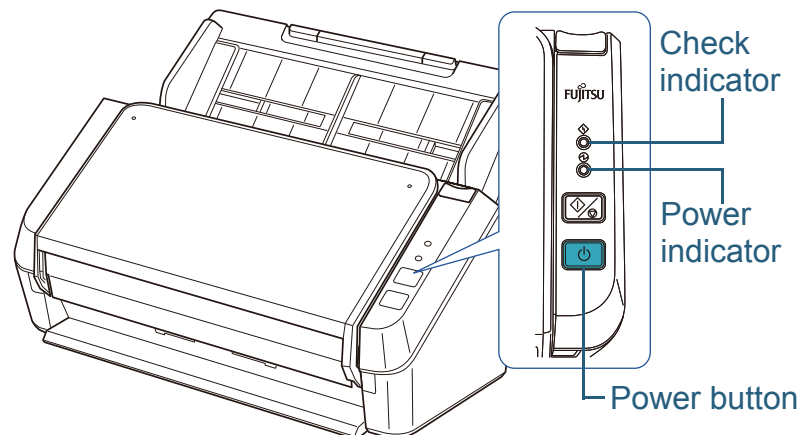


## 1.3 Turning the Power ON/OFF

This section explains how to power on/off the scanner.

### Turning the Power ON

- 1 Press the power button on the operator panel for more than 2 seconds.



- ⇒ The scanner is turned on, and during initialization, the power indicator flashes.  
When the power indicator stays on, the scanner is ready to scan.  
This is referred to as "ready" status.

#### HINT

When the scanner is ready to be used, the check indicator turns off and the power indicator turns on.

### Turning the Power OFF

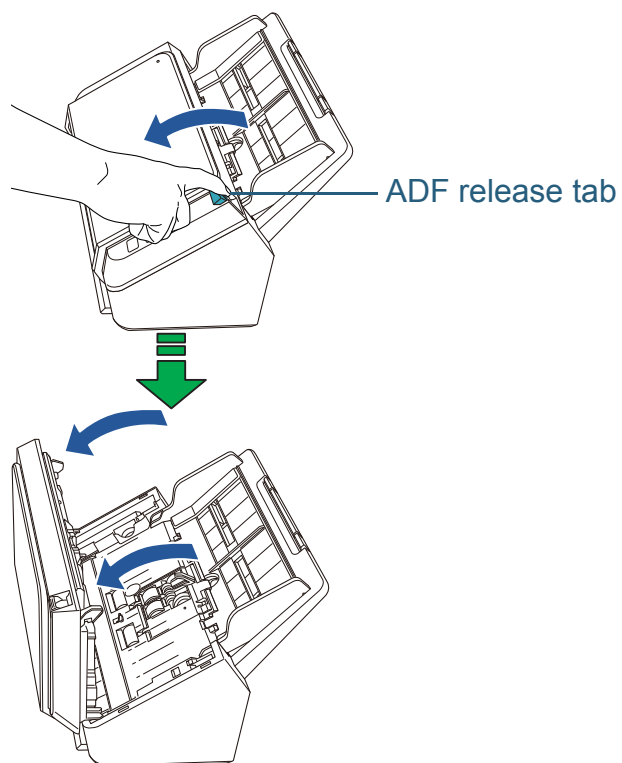
- 1 Press the power button on the operator panel for more than 2 seconds.  
⇒ The scanner is turned off, and the power indicator turns off.

## 1.4 Opening/Closing the ADF

This section describes how to open and close the ADF.

### How to Open the ADF

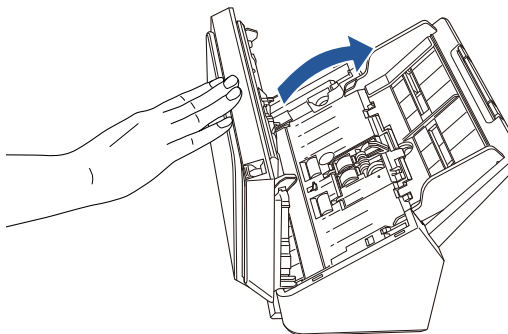
- 1 Remove all documents from the ADF paper chute (feeder).
- 2 Pull the ADF release tab towards you to open the ADF.



Be careful not to have your fingers caught when the ADF closes.

### How to Close the ADF

- 1 Close the ADF.  
Push the center of the ADF until you hear a click.



Be careful not to have your fingers caught when the ADF closes.

#### ATTENTION

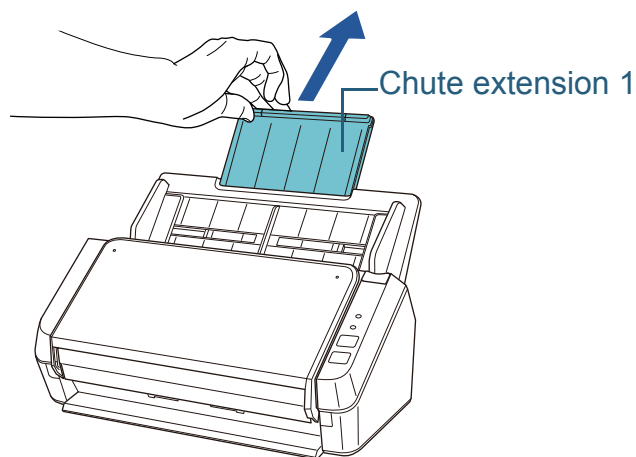
Make sure that there is no foreign matter caught inside the ADF.

## 1.5 Setting Up the ADF Paper Chute (Feeder)

Documents loaded in the ADF paper chute (feeder) are fed into the ADF one by one.

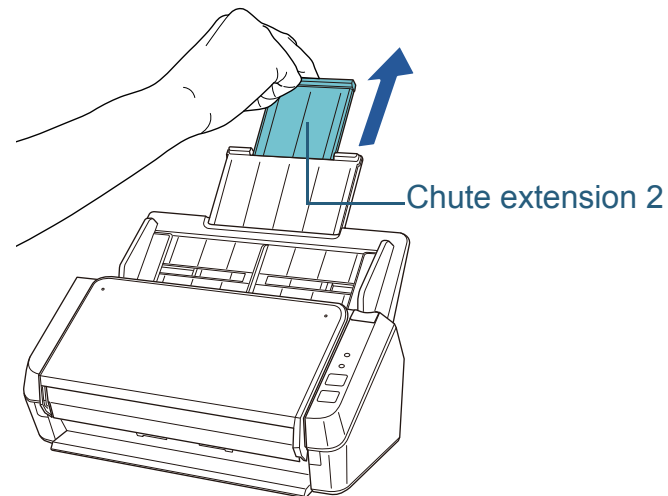
When scanning a relatively long document such as an A4 size document, use chute extensions 1 and 2 as described below so that the document will be kept straight and fed smoothly.

### 1 Pull out chute extension 1.

**HINT**

Hold the scanner while you pull out the chute extension 1.

### 2 Pull out chute extension 2.

**HINT**

Hold the scanner while you pull out the chute extension 2.

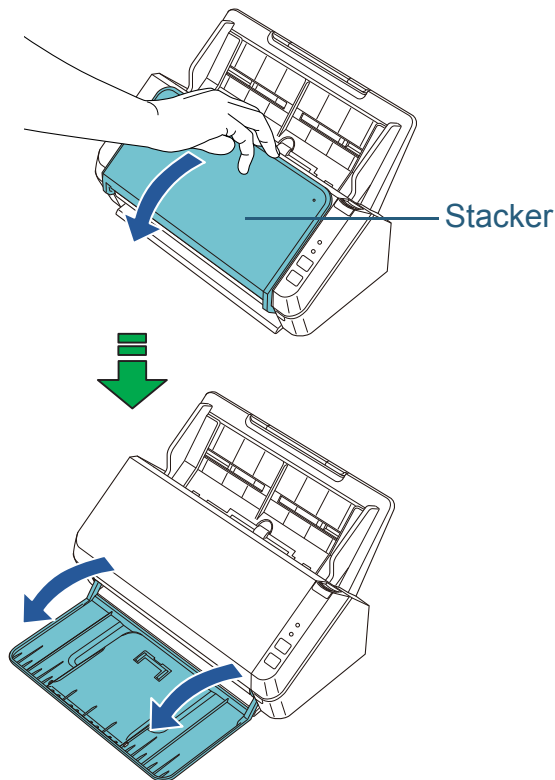
[TOP](#)[Contents](#)[Index](#)[Introduction](#)[Scanner Overview](#)[How to Load Documents](#)[How to Use the Operator Panel](#)[Various Ways to Scan](#)[Daily Care](#)[Replacing the Consumables](#)[Troubleshooting](#)[Operational Settings](#)[Appendix](#)[Glossary](#)

## 1.6 Setting Up the Stacker

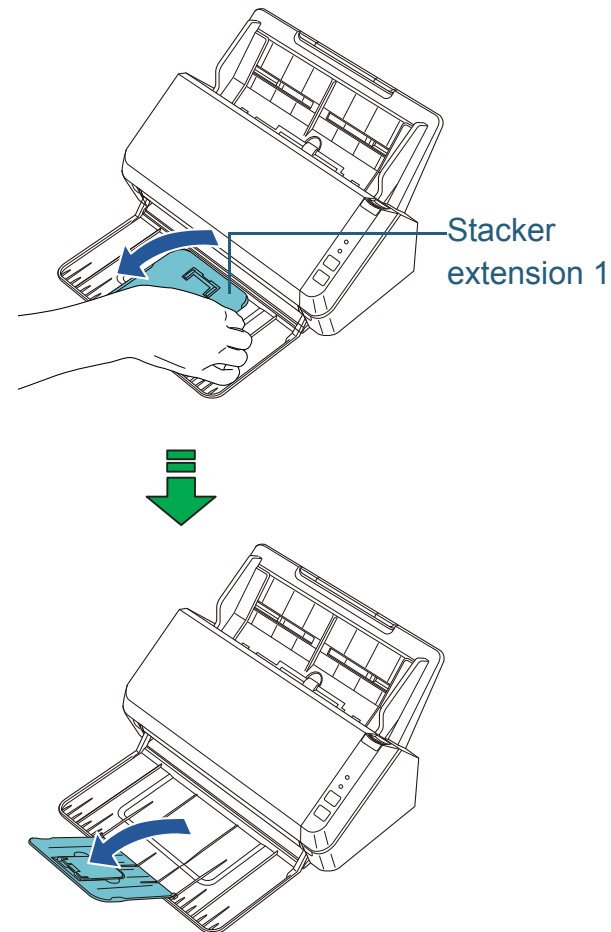
Documents loaded in the ADF paper chute (feeder) are ejected onto the stacker one by one.

Using the stacker and stacker extensions will keep the documents straight and stack them neatly.

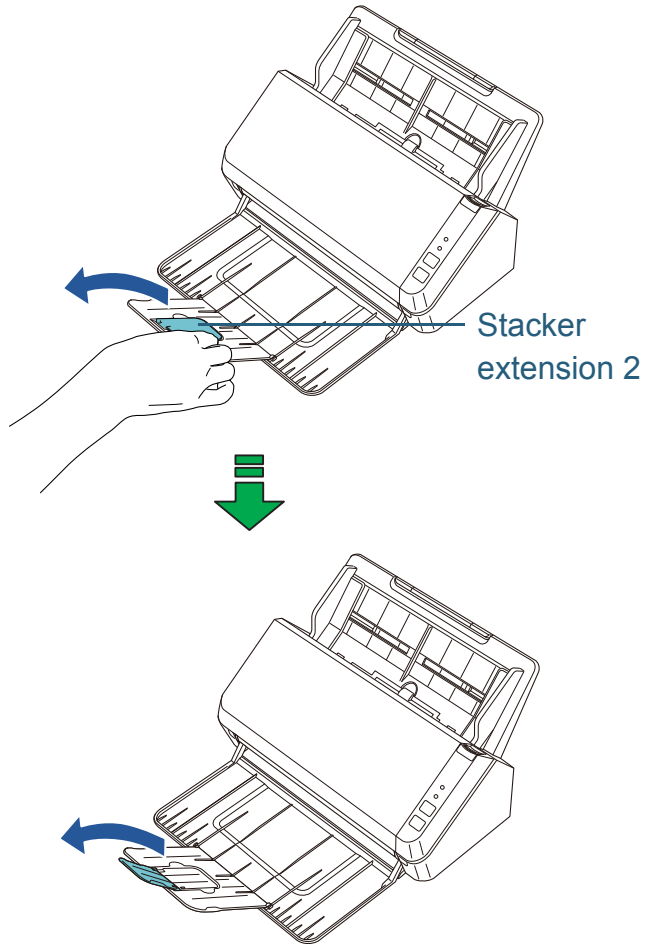
- 1 Hold the top side of the stacker and open it towards you.



- 2 Lift up the stacker extension 1 towards you.

[TOP](#)[Contents](#)[Index](#)[Introduction](#)[Scanner Overview](#)[How to Load Documents](#)[How to Use the Operator Panel](#)[Various Ways to Scan](#)[Daily Care](#)[Replacing the Consumables](#)[Troubleshooting](#)[Operational Settings](#)[Appendix](#)[Glossary](#)

**3** Lift up the stacker extension 2 towards you.



TOP

Contents

Index

Introduction

Scanner  
Overview

How to Load  
Documents

How to Use the  
Operator Panel

Various Ways to  
Scan

Daily Care

Replacing the  
Consumables

Troubleshooting

Operational  
Settings

Appendix

Glossary

## 1.7 Power Saving Mode

Power saving mode keeps the power consumption low when the scanner has not been used for a certain period of time.

If the scanner is left powered on for 10 minutes without being used, it automatically enters power saving mode.

Even after the scanner enters power saving mode, the power indicator remains on.

To resume from power saving mode, perform one of the following:

- Load a document in the ADF paper chute (feeder).
- Press the scan/stop button on the operator panel.
- Perform scanning from an application.

When the scanner resumes from power saving mode, the power indicator flashes until the scanner enters ready status.

If the scanner is not operated for a certain period of time, it turns off automatically to reduce power consumption while the scanner is in standby.

To disable this function, clear the [Power off after a certain period of time] check box in [Device Setting] of the Software Operation Panel. For details, refer to "[Waiting Time to Enter Power Saving Mode \(Power saving\)](#)" (page 98).

To turn the scanner back on after it has turned off automatically, press the power button on the operator panel. For details, refer to "[1.3 Turning the Power ON/OFF](#)" (page 16).

### ATTENTION

- The scanner may not enter power saving mode if there was a document remaining on the paper path. For details about how to remove a document, refer to "[7.1 Paper Jam](#)" (page 63).
- Depending on the application being used, the scanner might not turn off even if the [Power off after a certain period of time] check box is selected.
- If the scanner turns off automatically while you are using an image scanning application, close the application before you turn the scanner back on.

### HINT

- The waiting time for entering power saving mode can be changed in the Software Operation Panel. For details, refer to "[Waiting Time to Enter Power Saving Mode \(Power saving\)](#)" (page 98).
- For details about the operator panel, refer to "[Chapter 3 How to Use the Operator Panel](#)" (page 38).

TOP

Contents

Index

Introduction

Scanner  
OverviewHow to Load  
DocumentsHow to Use the  
Operator PanelVarious Ways to  
Scan

Daily Care

Replacing the  
Consumables

Troubleshooting

Operational  
Settings

Appendix

Glossary

## 1.8 Basic Flow of Scanning Operation

This section explains about the basic flow of performing a scan.

In order to perform a scan, you need a scanner driver and an image scanning application that supports the scanner driver. This product includes the following scanner drivers, and image scanning applications.

- Scanner drivers
  - PaperStream IP (TWAIN) for SP Series
  - PaperStream IP (TWAIN x64) for SP Series
  - PaperStream IP (ISIS) for SP Series
- Image scanning applications
  - PaperStream Capture Lite
  - Presto! PageManager
  - ABBYY FineReader Sprint

### HINT

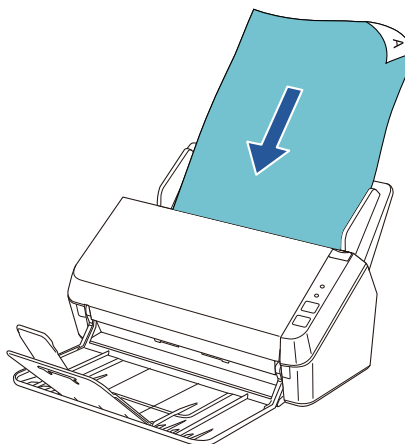
For details about the scanner drivers and image scanning applications, refer to ["1.9 Bundled Software" \(page 24\)](#).

Scanning procedures and operations vary slightly depending on the image scanning application.

For details, refer to the manual of the image scanning application.

The following describes the normal procedure for scanning.

- 1** Turn on the scanner.  
For details, refer to ["1.3 Turning the Power ON/OFF" \(page 16\)](#).
- 2** Load a document in the ADF paper chute (feeder).  
Load a document face-down in the ADF paper chute (feeder).

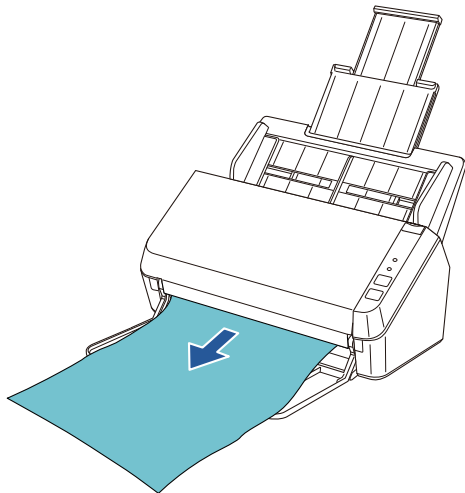


For details, refer to ["Chapter 2 How to Load Documents" \(page 27\)](#).

- 3** Start the image scanning application.
- 4** Select a scanner driver to be used.  
For some image scanning applications, it may not be necessary to select a scanner driver.
- 5** In the scanner driver's setup window, configure the scan settings.  
For some image scanning applications, the scanner driver's setup window may not appear.



**6** Scan the document with the image scanning application.



**ATTENTION**

Do not unplug the USB cable or log off the user account when the scanner and the computer are communicating, for instance, during scanning.

TOP

Contents

Index

Introduction

Scanner Overview

How to Load Documents

How to Use the Operator Panel

Various Ways to Scan

Daily Care

Replacing the Consumables

Troubleshooting

Operational Settings

Appendix

Glossary

## 1.9 Bundled Software

### Bundled Software Overview

The following software is bundled with this product.

- PaperStream IP drivers  
PaperStream IP drivers are scanner drivers that conform to TWAIN/ISIS standards.  
There are three types of PaperStream IP drivers.
  - PaperStream IP (TWAIN) for SP Series  
This scanner driver conforms to the TWAIN standard. It is used to operate the scanner from 32-bit applications that conform to the TWAIN standard.
  - PaperStream IP (TWAIN x64) for SP Series  
This scanner driver conforms to the TWAIN standard. It is used to operate the scanner from 64-bit applications that conform to the TWAIN standard.  
This driver can be installed in 64-bit operating systems.
  - PaperStream IP (ISIS) for SP Series  
This scanner driver conforms to the ISIS standard. It is used to operate the scanner from applications that conform to the ISIS standard.
- For details, refer to the PaperStream IP driver Help.
- Software Operation Panel  
This application allows you to configure various settings such as the operation of the scanner and managing the consumables.  
It is installed together with the PaperStream IP driver.  
For details, refer to "[Chapter 8 Operational Settings](#)" (page 85).
- Error Recovery Guide  
Details the status of the scanner and explains how to resolve problems encountered. It is installed together with the PaperStream IP driver.
- PaperStream Capture Lite  
An image scanning application which supports PaperStream IP (TWAIN) for SP Series. By defining scan settings as document profiles, you can customize the settings according to your preference.
- Presto! PageManager  
This image scanning application supports PaperStream IP (TWAIN)

for SP Series. It allows the easy scanning, sharing, and organizing of documents.

For details, refer to the Presto! PageManager Help and manual.

- ABBYY FineReader Sprint  
This application supports PaperStream IP (TWAIN) for SP Series. The WIA driver is not supported. This application allows you to convert scanned images into Word or Excel (\*1) files.  
For details, refer to the ABBYY FineReader Sprint Help.
- Manuals  
Safety Precautions and the Operator's Guide are installed.
- Scanner Central Admin Agent  
This application allows simultaneous update of scanner firmware and central administration/monitoring of multiple scanners. It allows you to monitor the scanner operating status and check the scanner information.  
Required applications vary depending on the operation mode.  
For details, refer to the Scanner Central Admin User's Guide.
- SP Series Online Update  
This application allows you to check and apply the latest update program of the software and firmware related to the SP series.  
For details, refer to the SP Series Online Update Help.

\*1: Microsoft® Office products must be installed.

For details about how to configure scanner settings and scan different types of documents with the image scanning application, refer to "[Chapter 4 Various Ways to Scan](#)" (page 41).

TOP

Contents

Index

Introduction

Scanner  
OverviewHow to Load  
DocumentsHow to Use the  
Operator PanelVarious Ways to  
Scan

Daily Care

Replacing the  
Consumables

Troubleshooting

Operational  
Settings

Appendix

Glossary

## System Requirements

System requirements are described below.

Operating system	<ul style="list-style-type: none"> <li>● Windows Server® 2008 Standard (32-bit/64-bit) (*1)(*2)</li> <li>● Windows Server® 2008 R2 Standard (64-bit) (*1)(*2)</li> <li>● Windows® 7 Home Premium (32-bit/64-bit)</li> <li>● Windows® 7 Professional (32-bit/64-bit)</li> <li>● Windows® 7 Enterprise (32-bit/64-bit)</li> <li>● Windows® 7 Ultimate (32-bit/64-bit)</li> <li>● Windows Server® 2012 Standard (64-bit) (*1)(*2)(*3)</li> <li>● Windows Server® 2012 R2 Standard (64-bit) (*1)(*2)(*3)</li> <li>● Windows® 8.1 (32-bit/64-bit) (*3)</li> <li>● Windows® 8.1 Pro (32-bit/64-bit) (*3)</li> <li>● Windows® 8.1 Enterprise (32-bit/64-bit) (*3)</li> <li>● Windows® 10 Home (32-bit/64-bit) (*3)</li> <li>● Windows® 10 Pro (32-bit/64-bit) (*3)</li> <li>● Windows® 10 Enterprise (32-bit/64-bit) (*3)</li> <li>● Windows® 10 Education (32-bit/64-bit) (*3)</li> <li>● Windows Server® 2016 Standard (64-bit) (*1)(*2)(*3)</li> <li>● Windows Server® 2019 Standard (64-bit) (*1)(*2)(*3)</li> </ul>
CPU	Intel® Pentium® 4 1.8 GHz or higher (Recommended: Intel® Core™ i5 2.5 GHz or higher, except mobile device processors)
Memory	1 GB or more (Recommended: 4 GB or more)
Display resolution	1024 × 768 pixels or higher, 65536 colors or more
Disk space	2.2 GB or more of free hard disk space (*4)
DVD drive	Required for software installation

Interface	USB 2.0/1.1
-----------	-------------

\*1: PaperStream Capture Lite is not supported.

\*2: Presto! PageManager and ABBYY FineReader Sprint are not supported.

\*3: The software bundled with the scanner operates as a desktop application.

\*4: Disk space is required based on the size of files to be saved during scanning.

TOP

Contents

Index

Introduction

Scanner  
OverviewHow to Load  
DocumentsHow to Use the  
Operator PanelVarious Ways to  
Scan

Daily Care

Replacing the  
Consumables

Troubleshooting

Operational  
Settings

Appendix

Glossary

## How to Install the Bundled Software

This section describes how to install the software included on the "Setup DVD-ROM".

The following software can be installed:

- PaperStream IP (TWAIN) for SP Series
- PaperStream IP (TWAIN x64) for SP Series
- PaperStream IP (ISIS) for SP Series
- Software Operation Panel
- Error Recovery Guide
- PaperStream Capture Lite
- Presto! PageManager
- ABBYY FineReader Sprint
- Manual
- Scanner Central Admin Agent
- SP Series Online Update

### ATTENTION

If previous versions of this software have already been installed, uninstall them before continuing. For details about how to uninstall software, refer to ["A.4 Uninstalling the Software"](#) (page 104).

- 1 Turn on the computer, and log on to Windows as a user with administrator privileges.
- 2 Insert the Setup DVD-ROM into the DVD drive.  
⇒ The [SP Series Setup] window appears.

### HINT

If the [SP Series Setup] window does not appear, use either "Explorer" or "Computer" to locate and double-click on "Setup.exe" on the Setup DVD-ROM.

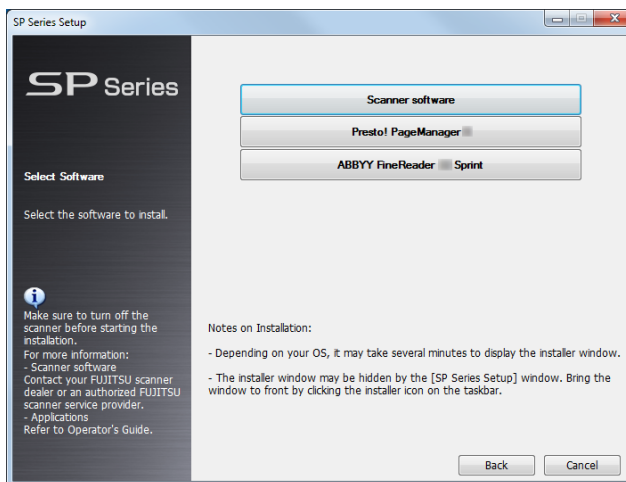
- 3 Click the [Install software] button.



⇒ The software information window appears.

- 4 Check the information and click the [Next] button.

- 5 Click the button for the software you want to install.



- 6 Follow the instructions displayed in the window to install the software.

# Chapter 2 How to Load Documents

---

This chapter explains how to load documents on the scanner.

2.1 Loading Documents.....	28
2.2 Documents for Scanning .....	30

[TOP](#)

[Contents](#)

[Index](#)

[Introduction](#)

[Scanner  
Overview](#)

[How to Load  
Documents](#)

[How to Use the  
Operator Panel](#)

[Various Ways to  
Scan](#)

[Daily Care](#)

[Replacing the  
Consumables](#)

[Troubleshooting](#)

[Operational  
Settings](#)

[Appendix](#)

[Glossary](#)

## 2.1 Loading Documents

This section explains how to load documents.

### Preparation

#### HINT

For details about the paper size and quality required for normal operations, refer to ["2.2 Documents for Scanning" \(page 30\)](#).

#### 1 If you are loading multiple sheets, check the documents.

- 1 Check if the documents to be loaded are of the same width or different widths.

Ways to load documents differ depending on whether they are the same width or not.

If the document width varies, refer to ["Conditions for Mixed Batch Scanning" \(page 35\)](#) and ["Documents with Different Widths" \(page 43\)](#).

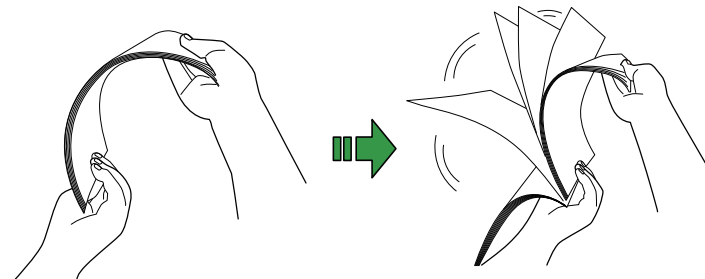
- 2 Check the number of sheets.

Up to 50 sheets can be loaded (with paper weight of 80 g/m<sup>2</sup> (20 lb) and thickness of the document stack under 5 mm).

For details, refer to ["Loading Capacity" \(page 33\)](#).

#### 2 Fan the documents.

- 1 Grab a stack of documents, which should be 5 mm or less.
- 2 Hold both ends of the documents and fan them a few times.



- 3 Rotate the documents 90 degrees and fan them in the same manner.

- 4 Perform steps 1 to 3 for all documents.

- 5 Align the edges of the documents.

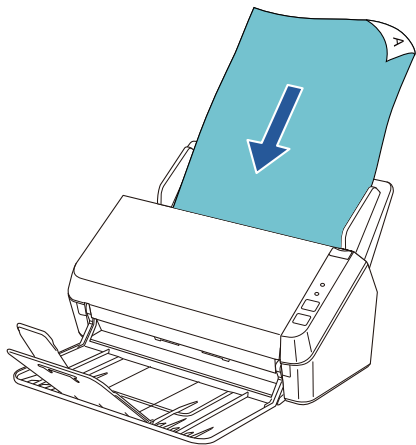
#### HINT

For more details about how to fan documents, refer to the Error Recovery Guide.

[TOP](#)[Contents](#)[Index](#)[Introduction](#)[Scanner  
Overview](#)[How to Load  
Documents](#)[How to Use the  
Operator Panel](#)[Various Ways to  
Scan](#)[Daily Care](#)[Replacing the  
Consumables](#)[Troubleshooting](#)[Operational  
Settings](#)[Appendix](#)[Glossary](#)

## How to Load Documents

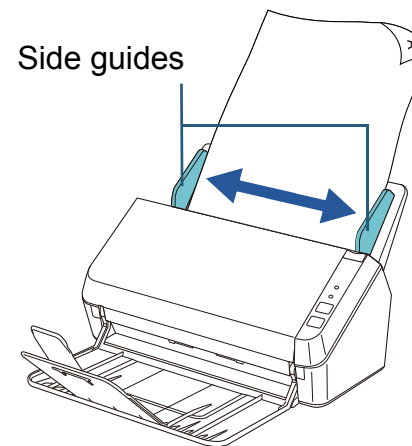
- 1** Pull out the chute extensions according to the length of the document.  
For details, refer to ["1.5 Setting Up the ADF Paper Chute \(Feeder\)"](#) (page 18).
- 2** Lift the stacker and stacker extension according to the length of the document.  
For details, refer to ["1.6 Setting Up the Stacker"](#) (page 19).
- 3** Load the document in the ADF paper chute (feeder).  
Load the document face-down in the ADF paper chute (feeder).



### ATTENTION

Remove all paper clips and staples. Reduce the number of sheets if a multifeed or pick error occurs.

- 4** Adjust the side guides to the width of the document.  
Do not leave space between the side guides and the document.  
Otherwise, the document may be fed skewed.



- 5** Scan the document with the image scanning application.  
For details, refer to the manual of the image scanning application.

TOP

Contents

Index

Introduction

Scanner  
Overview

How to Load  
Documents

How to Use the  
Operator Panel

Various Ways to  
Scan

Daily Care

Replacing the  
Consumables

Troubleshooting

Operational  
Settings

Appendix

Glossary



## 2.2 Documents for Scanning

### Paper Size

The following paper sizes can be scanned:

<b>ADF</b>	Maximum: A4 portrait (210 × 297 mm/8.3 × 11.7 in.), legal (8.5 × 14 in.), long page (*1) (216 × 863 mm/8.5 × 34 in., 210 × 3,048 mm/8.3 × 120 in.)
	Minimum: A8 (52 × 74 mm/2 × 2.9 in.)

\*1: Depending on the application or scan settings (e.g. paper size), there may be insufficient memory to perform scanning.  
To scan documents longer than 863 mm (34 in.), set the resolution to 200 dpi or lower.

### Conditions

#### Document type

The following paper types are recommended:

- Wood-free paper
- Wood-containing paper
- PPC paper (recycled)
- Plastic card

When using paper types other than the above, make sure to test with the same type of paper first to check if the document can be scanned.

#### Paper weight (document thickness)

The following paper weights can be used:

- 50 to 209 g/m<sup>2</sup> (13.4 to 56 lb)
- 127 to 209 g/m<sup>2</sup> (34 to 56 lb) for A8 size
- 0.76 mm or less for plastic cards (Embossed cards allowed (ISO7810 ID-1 type compliant))

TOP

Contents

Index

Introduction

Scanner  
OverviewHow to Load  
DocumentsHow to Use the  
Operator PanelVarious Ways to  
Scan

Daily Care

Replacing the  
Consumables

Troubleshooting

Operational  
Settings

Appendix

Glossary

## Precautions

The following types of documents may not be scanned successfully:

- Tracing paper
- Documents that are not square or rectangular
- Extremely thin paper

The following types of documents must not be scanned:

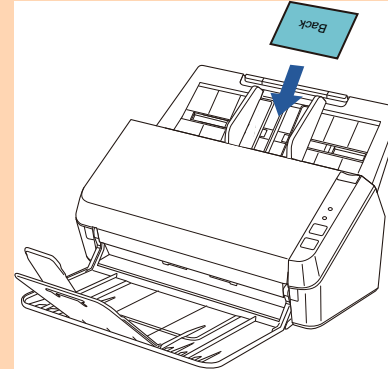
- Paper-clipped or stapled documents
- Documents on which the ink is still wet
- Documents smaller than A8 size (portrait)
- Documents other than paper/plastic card such as fabric, metal foil and OHP film
- Important documents that must not be damaged or smeared
- Documents of non-uniform thickness (e.g. envelopes, documents with attachments)
- Wrinkled or curled documents
- Folded or torn documents
- Coated paper
- Carbon paper
- Carbonless paper
- Photosensitive paper
- Perforated documents
- Photographs (photographic paper)

### ATTENTION

- Since carbonless papers contain chemical substances that may harm the rollers (such as the pick roller), the scanner may fail.
- When scanning wood-containing papers, the life of the brake roller and pick roller may end sooner compared to scanning wood-free papers.
- The brake roller and pick roller may be damaged when a photo/sticky note on a document gets into contact with these parts during scanning.
- The surface of a document may be damaged when scanning gloss papers such as photographs.

### ATTENTION

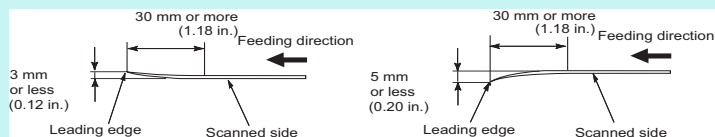
- When you scan plastic cards, take note of the following.
  - Plastic cards should be loaded one card at a time in the ADF paper chute (feeder).



- It is recommended to place the card face-down in the ADF paper chute (feeder).
- Cards should be within the following specifications:
  - ISO7810 ID-1 type compliant
  - Size : 85.6 × 53.98 mm
  - Thickness : 0.76 mm or less (Embossed cards allowed (ISO7810 ID-1 type compliant))
  - Material : PVC (polyvinyl chloride) or PVCA (polyvinyl chloride acetate)
- Make sure to check if the card can be scanned first.
  - Rigid cards may not be fed properly.
  - If the surface of the card is dirty with grease marks (e.g. fingerprints) and such, perform scanning after wiping the dirt off.
  - Scanning thick documents such as plastic cards will be falsely detected as multifeed. In this case, disable multifeed detection.

### HINT

- When scanning semi-transparent documents, increase the brightness for scanning to avoid bleed-through.
  - When you scan documents written in lead pencil, make sure to clean the rollers frequently. Otherwise, the rollers will be contaminated which may leave black traces on the document or cause feeding errors.
- For details about cleaning, refer to ["Chapter 5 Daily Care" \(page 48\)](#).
- If multifeeds, pick errors or paper jams occur frequently, refer to ["7.3 Troubleshooting Problems" \(page 68\)](#).
  - When you scan documents with the ADF, all documents must be flat on the leading edge. Make sure that curls on the leading edge of the documents are kept within the following range.



TOP

Contents

Index

Introduction

Scanner  
Overview

How to Load  
Documents

How to Use the  
Operator Panel

Various Ways to  
Scan

Daily Care

Replacing the  
Consumables

Troubleshooting

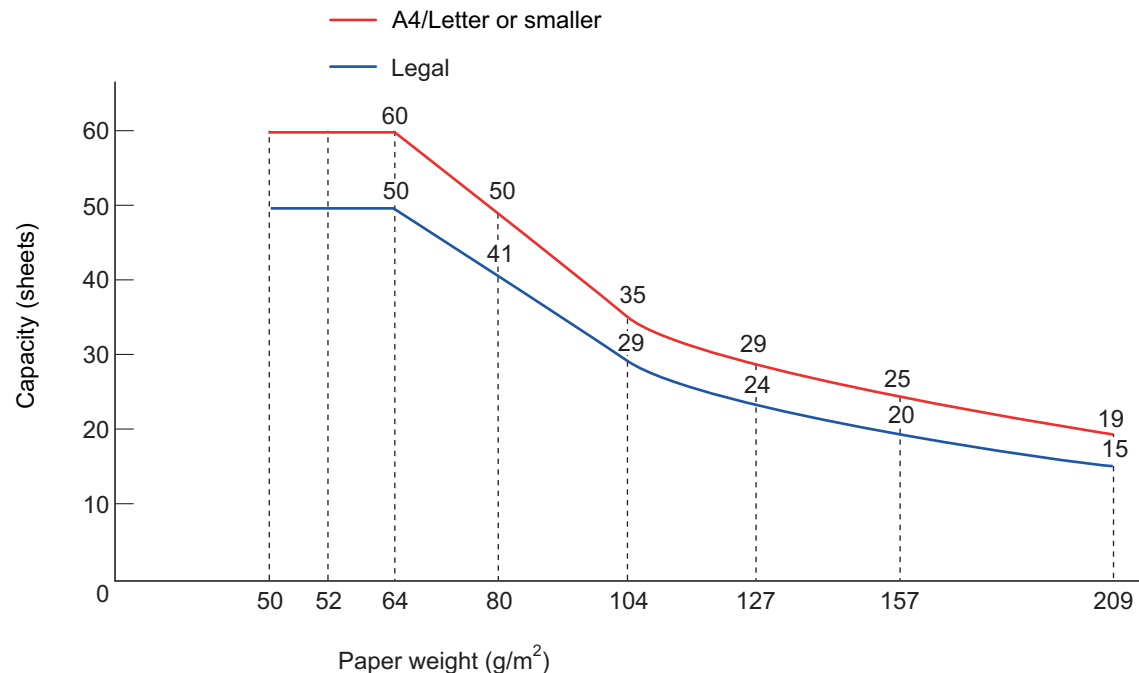
Operational  
Settings

Appendix

Glossary

## Loading Capacity

The number of sheets that can be loaded in the ADF paper chute (feeder) is determined by the paper size and paper weight. See the graph below.



Unit	Conversion									
g/m <sup>2</sup>	50	52	64	75	80	90	104	127	157	209
lb	13.4	14	17	20	21	24	28	34	42	56

TOP

Contents

Index

Introduction

Scanner  
Overview

How to Load  
Documents

How to Use the  
Operator Panel

Various Ways to  
Scan

Daily Care

Replacing the  
Consumables

Troubleshooting

Operational  
Settings

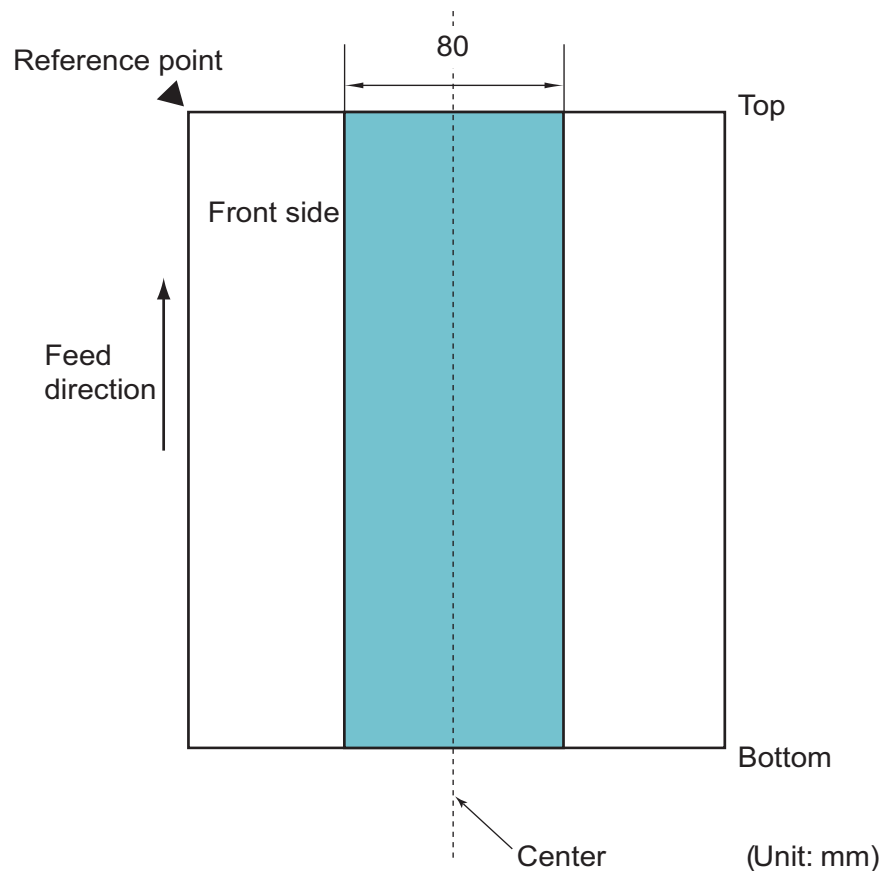
Appendix

Glossary

## Area Not to be Perforated

An error may occur when there are punched holes in the area shaded in light blue in the following figure.

Fig. 1



### ATTENTION

The above condition applies when the document is set to the center of the pick roller width.

### HINT

If there are any holes in the 80 mm-wide central column, you can move the document to the left or right to avoid an error.

## Conditions for Multifeed Detection

Multifeed is an error where two or more sheets are fed through the ADF at once. The following conditions are required for an accurate multifeed detection.

- Paper weight: 50 to 209 g/m<sup>2</sup> (13.4 to 56 lb) (0.06 to 0.26 mm)
- Do not punch holes within 80 mm over the center of the document. See " Fig. 1" (page 34).
- Do not attach other documents within 80 mm over the center of the document. See " Fig. 1" (page 34).

### ATTENTION

- The above condition applies when the document is set to the center of the pick roller width.
- Scanning thick documents such as plastic cards will be falsely detected as multifeed. In this case, disable multifeed detection.

### HINT

Accuracy of multifeed detection may drop with some documents. Multifeed cannot be detected for the top 30 mm of a document.

TOP

Contents

Index

Introduction

Scanner  
OverviewHow to Load  
DocumentsHow to Use the  
Operator PanelVarious Ways to  
Scan

Daily Care

Replacing the  
Consumables

Troubleshooting

Operational  
Settings

Appendix

Glossary

## Conditions for Mixed Batch Scanning

The following conditions apply when scanning a mixed batch of documents with different paper sizes. Make sure to test a few sheets first to check if the documents can be scanned. For details about scanning, refer to ["Documents with Different Widths"](#) (page 43).

### ATTENTION

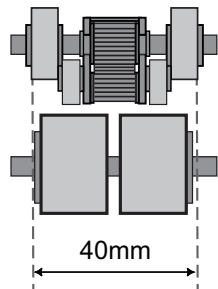
You cannot scan a mixed batch of documents with different paper weights/friction coefficients.

### Paper direction

Align the direction of the paper fiber with the feed direction.

### Document position

Make sure that all documents are placed over the entire width (approx. 40-mm wide) of the pick roller when loading documents.



### Paper size

When you scan a mixed batch of documents with different sizes, feeding the documents at a wrong angle may cause paper jams or part of the image to appear missing.

It is recommended to check the documents thoroughly before scanning and also check the image if the document was skewed.

### ATTENTION

When scanning a batch of documents with different sizes, documents are more likely to get skewed because the side guides do not fit every sheet properly.

### Documents that cannot be scanned in a mixed batch

The following types of documents cannot be mixed in the same batch:

- Bond paper
- Tracing paper

### Combinations of standard paper sizes in a mixed batch

Refer to the table below for a guideline of the range available for mixed batch scanning.

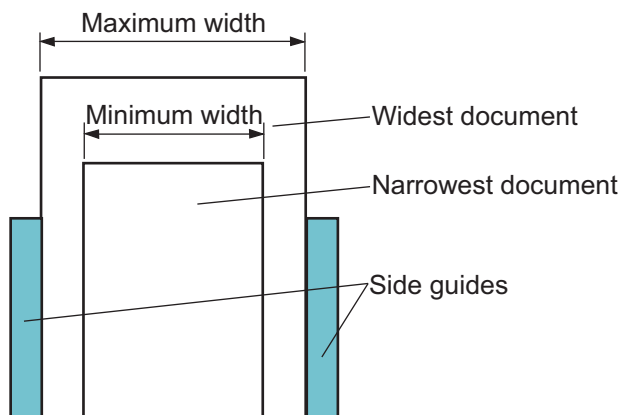
However, note that not feeding the documents straight may cause paper jams or part of the image to appear missing.

It is recommended to check the documents thoroughly before scanning and also check the image if the document was skewed.

Maximum size		LTR (P)	A4 (P) A5 (L)	B5 (P) B6 (L)	A5 (P) A6 (L)	B6 (P) B7 (L)	
Width (mm) (*1)		216	210	182	149	129	
Minimum size	LTR (P)	216					
	A4 (P) A5 (L)	210					
	B5 (P) B6 (L)	182	Available range				
	A5 (P) A6 (L)	149					
	B6 (P) B7 (L)	129					

LTR: Letter size

\*1: The following picture shows how to set the widest and the narrowest documents of the batch between the side guides.



**ATTENTION**

A6 (portrait) and A7 (landscape) or less cannot be scanned with other paper sizes.

- TOP
- Contents
- Index
- Introduction
- Scanner Overview
- How to Load Documents**
- How to Use the Operator Panel
- Various Ways to Scan
- Daily Care
- Replacing the Consumables
- Troubleshooting
- Operational Settings
- Appendix
- Glossary

## Conditions for Automatic Page Size Detection

[Automatic Page Size Detection] does not work with the following types of documents:

- Non-rectangular documents

In addition, [Automatic Page Size Detection] may not work with the following types of documents:

- Documents lighter than 50 g/m<sup>2</sup> (13.4 lb)
- White documents with glossy edges
- Documents with slightly dark (gray) edges

TOP

Contents

Index

Introduction

Scanner  
Overview

How to Load  
Documents

How to Use the  
Operator Panel

Various Ways to  
Scan

Daily Care

Replacing the  
Consumables

Troubleshooting

Operational  
Settings

Appendix

Glossary



# Chapter 3 How to Use the Operator Panel

This chapter explains how to use the operator panel.

3.1 Operator Panel .....	39
--------------------------	----

TOP

Contents

Index

Introduction

Scanner  
Overview

How to Load  
Documents

How to Use the  
Operator Panel

Various Ways to  
Scan

Daily Care

Replacing the  
Consumables

Troubleshooting

Operational  
Settings

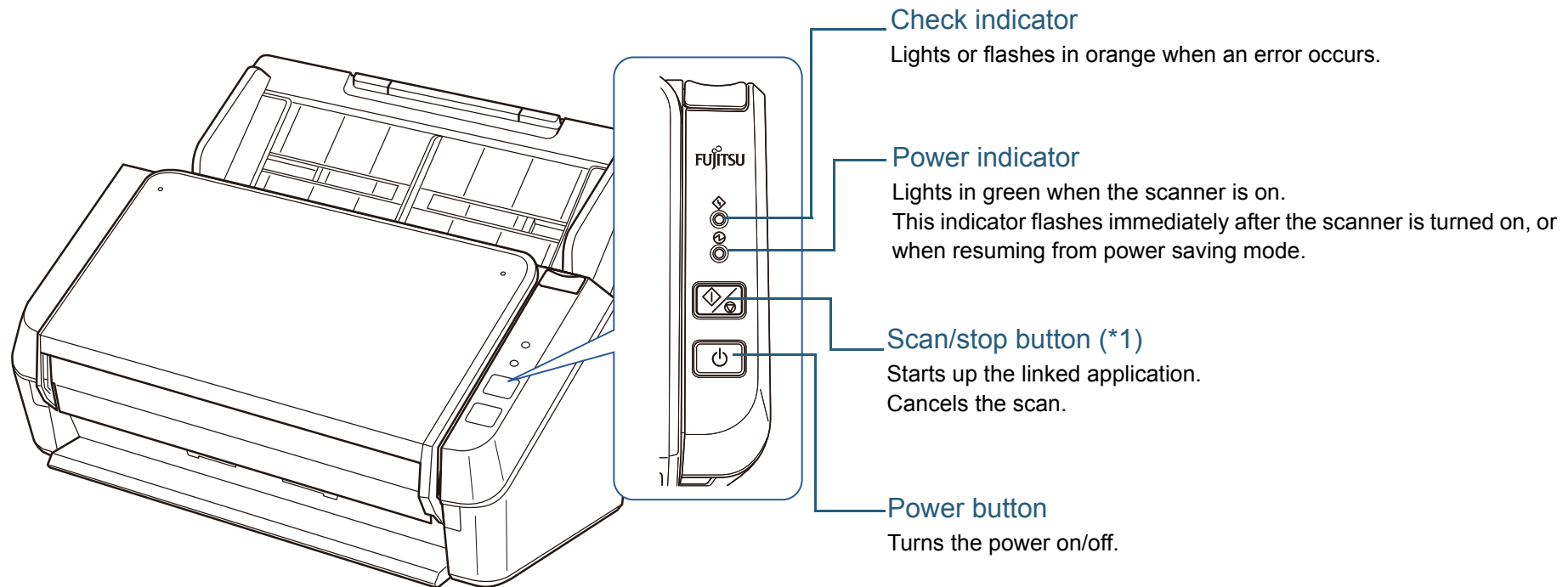
Appendix

Glossary

## 3.1 Operator Panel

The operator panel consists of buttons and indicators.

### Names and Functions



\*1: For details about how to scan by pressing the scan/stop button, refer to the scanner driver's Help (included in the Setup DVD-ROM) or "[Using a Button on the Scanner to Start Scanning](#)" (page 46).

## Signals on the Indicator

Check indicator	Power indicator	Description
Off	Flashes	Processing initialization. Continues until the scanner is ready when resuming from power saving mode or after closing the ADF.
Off	On	The scanner is ready to be used. Indicates that the initialization is successfully complete. The indicators operate in the same way when the scanner is in power saving mode.
On	On	Indicates that a temporary error occurred during scanning. For details about errors, refer to <a href="#">"Temporary Errors"</a> (page 66).
Flashes	On	Indicates that a device error (alarm) occurred during initialization or scanning. For details about errors, refer to <a href="#">"Device Errors"</a> (page 67).

TOP

Contents

Index

Introduction

Scanner  
OverviewHow to Load  
DocumentsHow to Use the  
Operator PanelVarious Ways to  
Scan

Daily Care

Replacing the  
Consumables

Troubleshooting

Operational  
Settings

Appendix

Glossary

# Chapter 4 Various Ways to Scan

---

This chapter explains how to configure scanner settings to scan different types of documents with the image scanning application.

4.1 Summary .....	42
4.2 Scanning Documents of Different Types and Sizes.....	43
4.3 Advanced Scanning.....	46

## 4.1 Summary

The following lists the main ways of scanning documents.

### Scanning documents of different types and sizes

- ["Documents with Different Widths" \(page 43\)](#)
- ["Long Page Scanning" \(page 44\)](#)

### Advanced Scanning

- ["Using a Button on the Scanner to Start Scanning" \(page 46\)](#)

For information on other ways of scanning, refer to the scanner driver's Help.

TOP

Contents

Index

Introduction

Scanner  
Overview

How to Load  
Documents

How to Use the  
Operator Panel

Various Ways to  
Scan

Daily Care

Replacing the  
Consumables

Troubleshooting

Operational  
Settings

Appendix

Glossary

## 4.2 Scanning Documents of Different Types and Sizes

### Documents with Different Widths

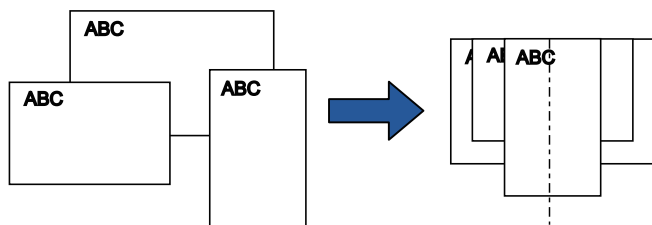
#### ATTENTION

When you scan a mixed batch of documents with different widths, some of the smaller documents may be skewed or not fed into the ADF. In that case, separate the documents by their widths, and scan them in different batches.

#### HINT

For more details about scanning a mixed batch of documents, refer to ["Conditions for Mixed Batch Scanning"](#) (page 35).

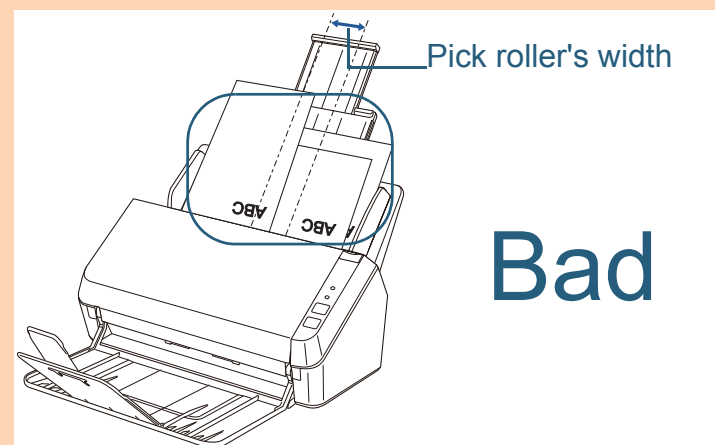
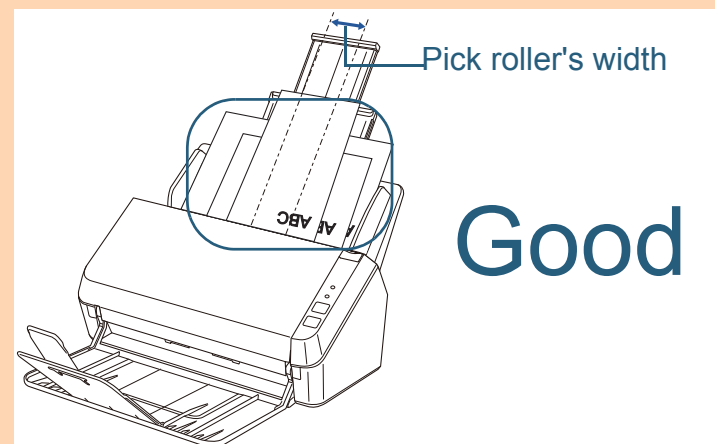
- 1 Align the top of the documents.



- 2 Load the documents in the center of the ADF paper chute (feeder), and adjust the side guides to fit the widest document in the batch.  
For details, refer to ["Chapter 2 How to Load Documents"](#) (page 27).

#### ATTENTION

Make sure that all documents are placed over the pick roller. Otherwise, some documents may be skewed or not fed into the ADF.



TOP

Contents

Index

Introduction

Scanner  
OverviewHow to Load  
DocumentsHow to Use the  
Operator PanelVarious Ways to  
Scan

Daily Care

Replacing the  
Consumables

Troubleshooting

Operational  
Settings

Appendix

Glossary

**3** In the scanner driver, configure the scan settings to detect the paper size automatically.

For details, refer to the scanner driver's Help.

**4** Scan the document with the image scanning application.

For details, refer to the manual of the image scanning application.

## Long Page Scanning

Documents with a length up to 3,048 mm (120 in.) can be scanned by long page scanning.

Document sizes that can be scanned vary depending on the image scanning application.

For details, refer to the manual of the image scanning application.

**1** Load a document in the ADF paper chute (feeder).

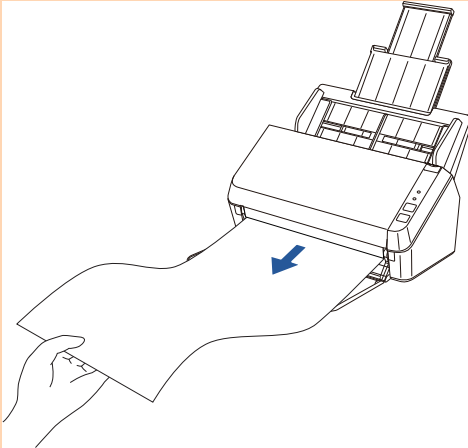
For details, refer to ["Chapter 2 How to Load Documents" \(page 27\)](#).

### ATTENTION

- Long page documents should be loaded one sheet at a time in the ADF paper chute (feeder).
- When you scan long pages, take note of the following.
  - Loading  
Hold the document with your hand so it does not fall out of the ADF paper chute (feeder).



- Removing  
Secure enough space around the stacker then place your hand on the it to prevent the ejected sheet from falling off the stacker.



**HINT**

To scan documents longer than A4/Letter size, perform the following:

- Pull out the chute extensions all the way.  
For details, refer to "[1.5 Setting Up the ADF Paper Chute \(Feeder\)](#)" (page 18).
- Lift the stacker and stacker extension towards you.  
For details, refer to "[1.6 Setting Up the Stacker](#)" (page 19).

**2** In the scanner driver, configure the scan settings to scan long pages.

For details, refer to the scanner driver's Help.

For some image scanning applications, the scanner driver's setup window may not appear.

**3** Scan the document with the image scanning application.

For details, refer to the manual of the image scanning application.

- TOP
- Contents
- Index
- Introduction
- Scanner Overview
- How to Load Documents
- How to Use the Operator Panel
- Various Ways to Scan**
- Daily Care
- Replacing the Consumables
- Troubleshooting
- Operational Settings
- Appendix
- Glossary



## 4.3 Advanced Scanning

### Using a Button on the Scanner to Start Scanning

The scan/stop button on the scanner can be configured to perform scanning.

To configure this setting, you first need to assign an application to be started up with the scan/stop button.

#### Computer setup

**1** Check that the scanner is connected to the computer, then turn on the scanner.  
For details about how to connect the scanner to the computer, refer to the Quick Installation Sheet.

For details about how to turn on the scanner, refer to "1.3 Turning the Power ON/OFF" (page 16).

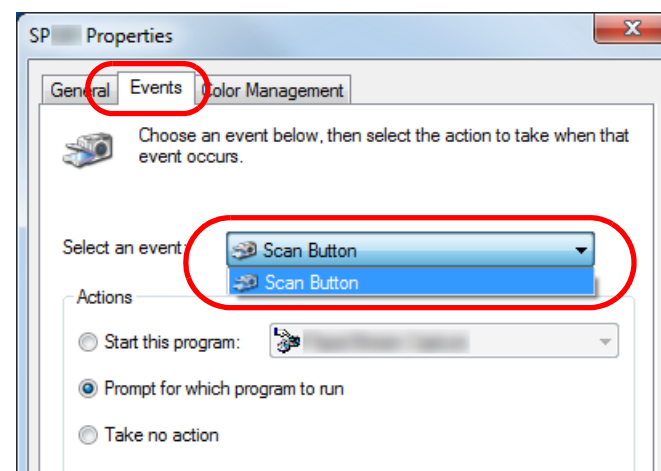
**2** Display the [Control Panel] window.

- Windows Server 2008/Windows 7  
Click [Start] menu → [Control Panel].
- Windows Server 2012  
Right-click the Start screen, and select [All apps] on the app bar → [Control Panel] under [Windows System].
- Windows Server 2012 R2/Windows 8.1  
Select [↓] on the lower left side of the Start screen → [Control Panel] under [Windows System].  
To display [↓], move the mouse cursor.
- Windows 10/Windows Server 2016/Windows Server 2019  
Click [Start] menu → [Windows System] → [Control Panel].

**3** Click [View devices and printers].  
⇒The [Devices and Printers] window appears.

**4** Right-click on the scanner icon, and select [Scan properties] from the displayed menu.  
⇒The properties dialog box of the scanner appears.

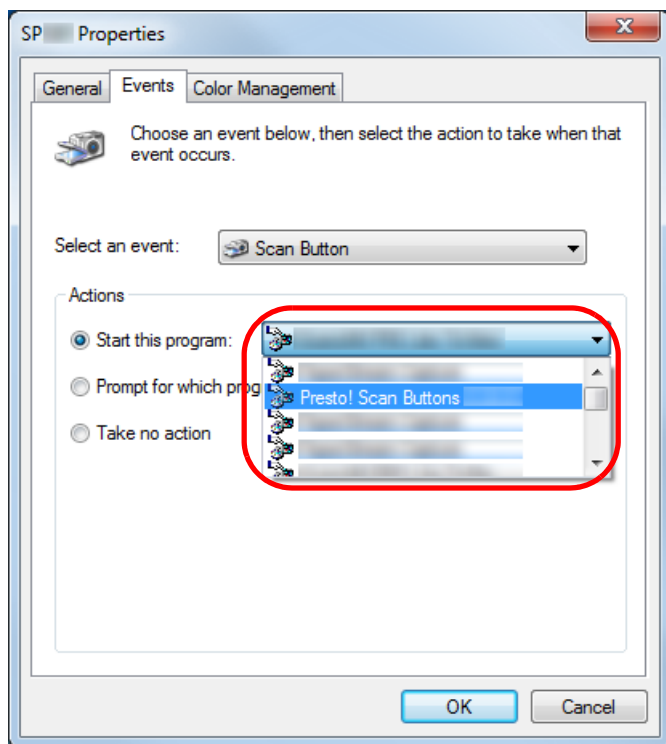
**5** Click the [Events] tab and select an event.  
From the [Select an event] drop-down list, select an event from which you want to launch an application.



In this function, the following events can be selected:

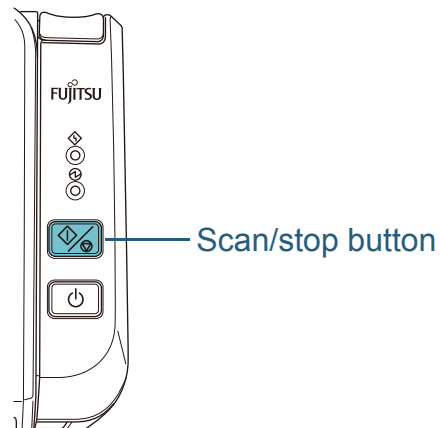
- Scan Button (when the scan/stop button is pressed)

- 6** Select an action and an application to be launched by the scanner button event.  
Click [Start this program] under [Actions], and select an application from the drop-down list on the right.



- 7** Click the [OK] button.  
The setup of the computer is complete. Proceed to configure the scanner settings.

### Scanner setup



No particular setting is required.


⇒ The specified application is launched when you press the scan/stop button.


#### HINT


For details, refer to "[Chapter 3 How to Use the Operator Panel](#)" (page 38).


# Chapter 5 Daily Care


This chapter explains how to clean the scanner.

 Do not use aerosol spray or spray that contains alcohol to clean the scanner. Dust blown up by strong air from the spray may enter inside the scanner which may cause the scanner to fail or malfunction.

 Also note that sparks generated by static electricity may cause a fire.

 The inside of the ADF becomes very hot when the scanner is being used.

 Before you start cleaning the inside, make sure to turn off the power, unplug the power cable and wait at least 15 minutes for the ADF glass to cool down.



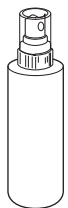
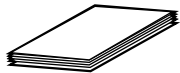

5.1 Cleaning Materials and Locations that Require Cleaning.....49

5.2 Cleaning the Outside .....51

5.3 Cleaning the Inside.....52

## 5.1 Cleaning Materials and Locations that Require Cleaning

### Cleaning Materials

Name	Part No.	Notes
Cleaner F1 	PA03950-0352	1 bottle (100 ml) Moisten a cloth or Cleaning Paper with this liquid to wipe the scanner clean. It may take a long time to dry if an excessive amount is used. Use it in small quantity. Wipe off the cleaner completely to leave no residue on the cleaned parts.
Cleaning Paper 	CA99501-0012	1 pack (10 sheets) Use this non-woven sheet with Cleaner F1.
Cleaning Wipe 	PA03950-0419	1 box (24 packets) Pre-moistened with Cleaner F1. It can be used instead of moistening a cloth with Cleaner F1.
Cotton swab	Commercially available	
Dry cloth		

#### ATTENTION

In order to use the cleaning materials safely and correctly, read the precautions on each product thoroughly.

For more information about the cleaning materials, contact your FUJITSU scanner dealer or an authorized FUJITSU scanner service provider.

TOP

Contents

Index

Introduction

Scanner  
OverviewHow to Load  
DocumentsHow to Use the  
Operator PanelVarious Ways to  
Scan

Daily Care

Replacing the  
Consumables

Troubleshooting

Operational  
Settings

Appendix

Glossary

## Location and Frequency

Location		Frequency
ADF	Brake roller	Every 3,000 sheets
	Pick roller	
	Plastic idler roller	
	Glass	
	Ultrasonic sensor	
	Feed roller	
	Eject roller	

### ATTENTION

Cleaning cycles may vary depending on the condition of the documents. Also, cleaning must be performed more frequently when the following types of documents are scanned:

- Smooth-faced documents such as coated paper
- Documents with printed text/graphics that almost cover the entire surface
- Documents containing a large amount of calcium carbonate
- Documents written in lead pencil
- Documents on which the toner is not sufficiently fused

TOP

Contents

Index

Introduction

Scanner  
OverviewHow to Load  
DocumentsHow to Use the  
Operator PanelVarious Ways to  
Scan

Daily Care

Replacing the  
Consumables

Troubleshooting

Operational  
Settings

Appendix

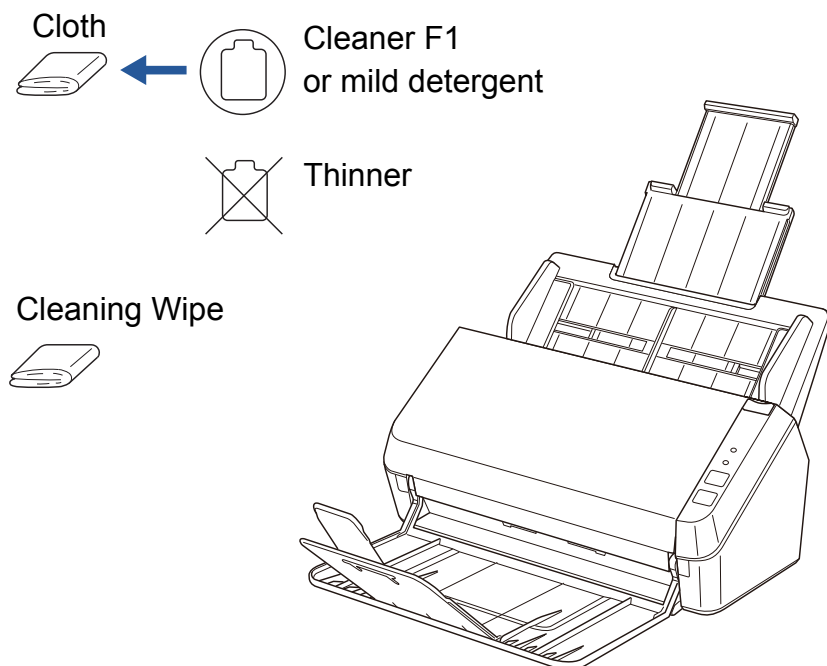
Glossary

## 5.2 Cleaning the Outside

The outside of the scanner, including the ADF paper chute (feeder) and the stacker, should be cleaned with a piece of dry cloth, a cloth moistened with Cleaner F1/mild detergent, or a sheet of Cleaning Wipe.

### ATTENTION

- To avoid deformation and discoloration, never use paint thinner or any other organic solvents.
- Be careful not to let any moisture or water get inside the scanner during cleaning.
- It may take a long time to dry if an excessive amount of Cleaner F1/mild detergent is used. Use it in small quantity. Wipe off the cleaner completely to leave no residue on the cleaned parts.

[TOP](#)[Contents](#)[Index](#)[Introduction](#)[Scanner Overview](#)[How to Load Documents](#)[How to Use the Operator Panel](#)[Various Ways to Scan](#)[Daily Care](#)[Replacing the Consumables](#)[Troubleshooting](#)[Operational Settings](#)[Appendix](#)[Glossary](#)

## 5.3 Cleaning the Inside

### Cleaning the ADF (with Cleaning Paper)

The ADF can be cleaned with a sheet of Cleaning Paper moistened with Cleaner F1.

As the scanner continues to feed the documents, paper dust will accumulate inside the ADF and it may cause scanning errors.

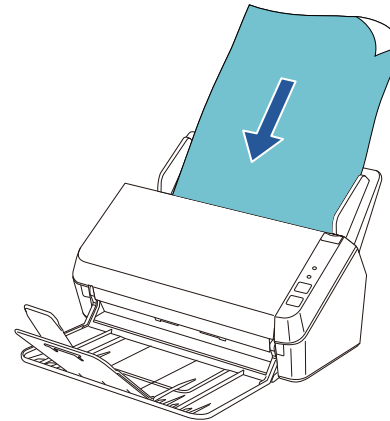
Cleaning should be performed approximately every 3,000 sheets scanned. Note that the cleaning frequency varies depending on the types of documents you scan. For instance, it may be necessary to clean the scanner more frequently when you scan documents on which the toner is not sufficiently fused.

#### ATTENTION

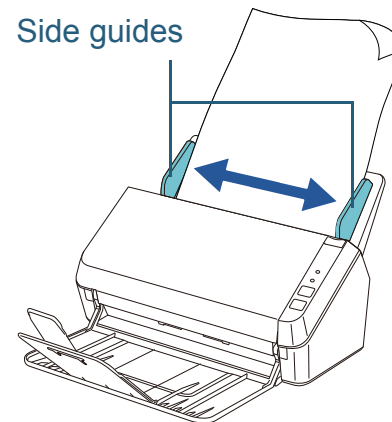
- Do not use water or mild detergent to clean the ADF.
- It may take a long time to dry if an excessive amount of Cleaner F1 is used. Use it in small quantity.

- 1 Turn on the scanner.  
For details, refer to "1.3 Turning the Power ON/OFF" (page 16).
- 2 Spray the Cleaning Paper with Cleaner F1.
- 3 Pull out the chute extensions according to the length of the Cleaning Paper.  
For details, refer to "1.5 Setting Up the ADF Paper Chute (Feeder)" (page 18).
- 4 Lift the stacker and stacker extension according to the length of the Cleaning Paper.  
For details, refer to "1.6 Setting Up the Stacker" (page 19).

- 5 Load the Cleaning Paper in the ADF paper chute (feeder).



- 6 Adjust the side guides to the width of the Cleaning Paper. Do not leave space between the side guides and the Cleaning Paper. Otherwise, the Cleaning Paper may be fed skewed.



- 7 Start an application for scanning and perform a scan.

## Cleaning the ADF (with Cloth)

The ADF can be cleaned with a piece of cloth moistened with Cleaner F1 or a sheet of Cleaning Wipe.

As the scanner continues to feed the documents, paper dust will accumulate inside the ADF and it may cause scanning errors.

Cleaning should be performed approximately every 3,000 sheets scanned. Note that the cleaning frequency varies depending on the types of documents you scan. For instance, it may be necessary to clean the scanner more frequently when you scan documents on which the toner is not sufficiently fused.



The inside of the ADF becomes very hot when the scanner is being used. Before you start cleaning the inside, make sure to turn off the power, unplug the power cable and wait at least 15 minutes for the ADF glass to cool down.

### ATTENTION

- Do not use water or mild detergent to clean the ADF.
- It may take a long time to dry if an excessive amount of Cleaner F1 is used. Use it in small quantity. Wipe off the cleaner completely to leave no residue on the cleaned parts.

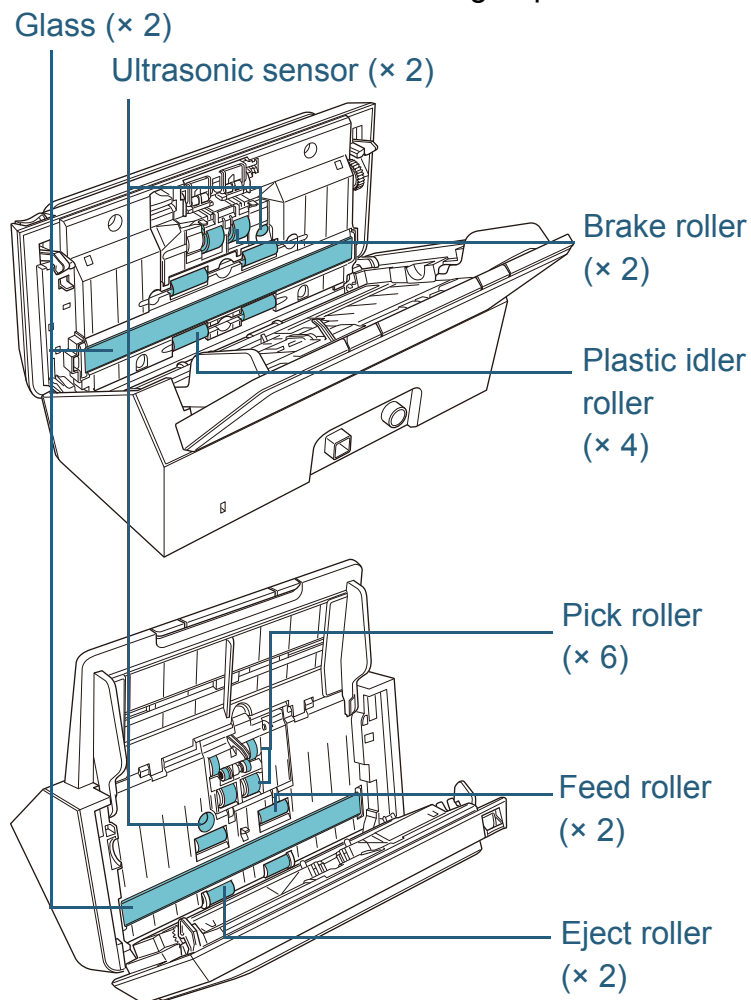
**1** Turn off the scanner and wait for at least 15 minutes. For details, refer to "1.3 Turning the Power ON/OFF" (page 16).

**2** Open the ADF. For details, refer to "1.4 Opening/Closing the ADF" (page 17).



Be careful not to have your fingers caught when the ADF closes.

**3** Clean the following locations with a cloth moistened with Cleaner F1 or a sheet of Cleaning Wipe.



TOP

Contents

Index

Introduction

Scanner  
OverviewHow to Load  
DocumentsHow to Use the  
Operator PanelVarious Ways to  
Scan

Daily Care

Replacing the  
Consumables

Troubleshooting

Operational  
Settings

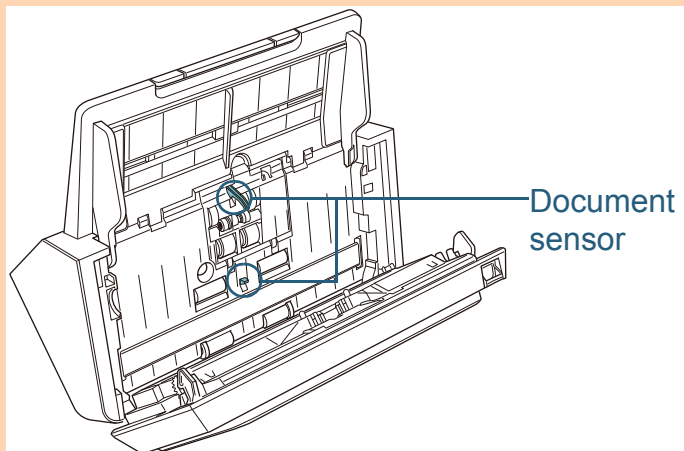
Appendix

Glossary



**ATTENTION**

Make sure that the cloth does not get caught and damage the document sensors.



**Plastic idler roller (× 4)**

Gently wipe the surface as you rotate the roller manually, taking care not to damage the roller surface. Make sure that it is cleaned properly because residue on the roller will affect the feeding performance.

**Glass (× 2)**

Gently wipe dirt and dust off the surface of the glass sections.

**ATTENTION**

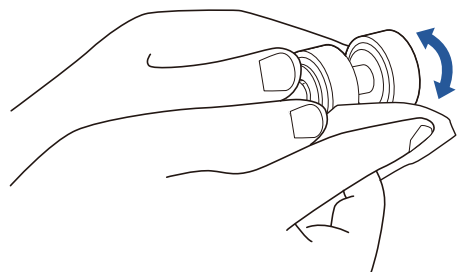
Vertical streaks may appear on a scanned image when the glass is dirty.

**Brake roller (× 2)**

Remove the roller from the scanner.

For details about removing the brake roller, refer to "[6.2 Replacing the Roller Set](#)" (page 59).

Gently wipe the surface of the rollers.



**Pick roller (× 6)**

Gently wipe the surface as you rotate the roller manually, taking care not to damage the roller surface. Make sure that it is cleaned properly because residue on the roller will affect the feeding performance.

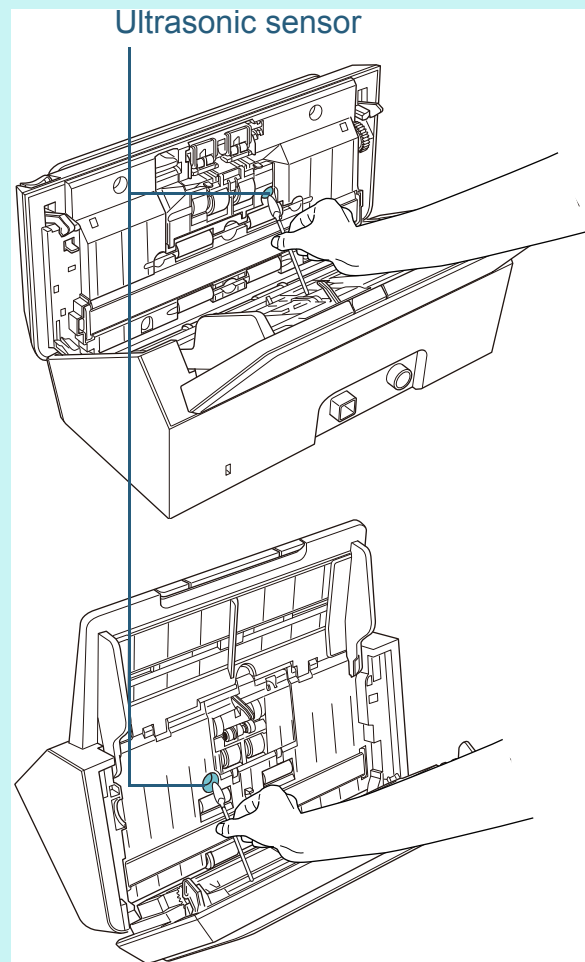
- TOP
- Contents
- Index
- Introduction
- Scanner Overview
- How to Load Documents
- How to Use the Operator Panel
- Various Ways to Scan
- Daily Care**
- Replacing the Consumables
- Troubleshooting
- Operational Settings
- Appendix
- Glossary

## Ultrasonic sensor (× 2)

Gently wipe dirt and dust off the surface of the ultrasonic sensors.

### HINT

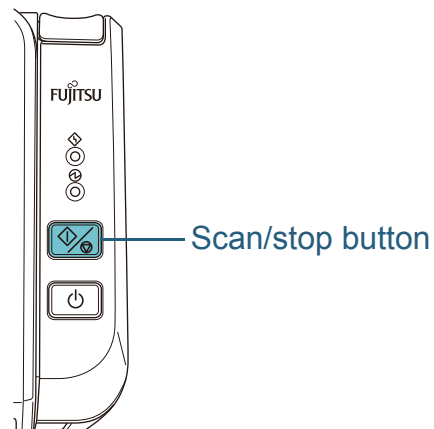
If it is difficult to clean, use a cotton swab.



## Feed roller (× 2)/Eject roller (× 2)

The power must be turned on to rotate the feed/eject rollers for cleaning.

- 1 Turn on the scanner.  
For details, refer to "1.3 Turning the Power ON/OFF" (page 16).
- 2 When the operator panel is in ready status, open the ADF.  
For details, refer to "1.4 Opening/Closing the ADF" (page 17).
- 3 When you press the scan/stop button on the operator panel for more than 2 seconds, the feed/eject rollers rotate.



When you press the scan/stop button, the feed/eject rollers rotate at the same time. Be careful not to touch the rollers with your hand while they are rotating.

- 4 Put a piece of cloth moistened with Cleaner F1 or a sheet of Cleaning Wipe against the roller surface, and wipe horizontally. Wipe the whole surface by pressing the scan/stop button to rotate the rollers.  
Make sure that it is cleaned properly because residue on the roller will affect the feeding performance.

## 4 Close the ADF.

For details, refer to "1.4 Opening/Closing the ADF" (page 17).



Be careful not to have your fingers caught when the ADF closes.

### ATTENTION

Check that the ADF is closed properly. Otherwise, the document may not be fed into the ADF.

TOP

Contents

Index

Introduction

Scanner  
Overview

How to Load  
Documents

How to Use the  
Operator Panel

Various Ways to  
Scan

Daily Care

Replacing the  
Consumables

Troubleshooting

Operational  
Settings

Appendix

Glossary

# Chapter 6 Replacing the Consumables

This chapter explains how to replace the consumables for the scanner.



The inside of the ADF becomes very hot when the scanner is being used.

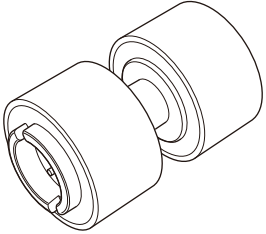
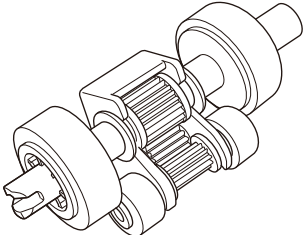
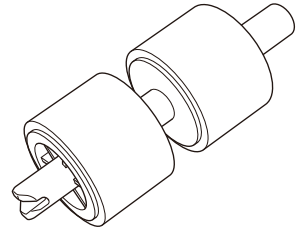
Before you replace the consumables, make sure to turn off the power, unplug the power cable and wait at least 15 minutes for the ADF glass to cool down.



6.1 Consumables and Replacement Cycles.....	58
6.2 Replacing the Roller Set.....	59

## 6.1 Consumables and Replacement Cycles

The following table shows the consumables used for the scanner.

Name	Part No.	Suggested Replacement Cycle
ROLLER SET ● Brake roller  ● Pick roller  	PA03708-0001	100,000 sheets or one year

Consumables need to be replaced periodically. It is recommended that you keep a stock of new consumables for replacement before it reaches the end of its life. The scanner records the number of sheets scanned after replacing the consumables, which allows you to check the status of the consumables.

For details, refer to "[8.4 Settings Related to Sheet Counters](#)" (page 96).

Note that the suggested replacement cycles are references for using A4 (80 g/m<sup>2</sup> (20 lb) wood-free or wood-containing paper, as these cycles vary depending on the type of documents scanned and how often the scanner is used and cleaned.

### HINT

Only use the specified consumables.

To purchase the consumables, contact your FUJITSU scanner dealer or an authorized FUJITSU scanner service provider.

TOP

Contents

Index

Introduction

Scanner  
OverviewHow to Load  
DocumentsHow to Use the  
Operator PanelVarious Ways to  
Scan

Daily Care

Replacing the  
Consumables

Troubleshooting

Operational  
Settings

Appendix

Glossary

## 6.2 Replacing the Roller Set

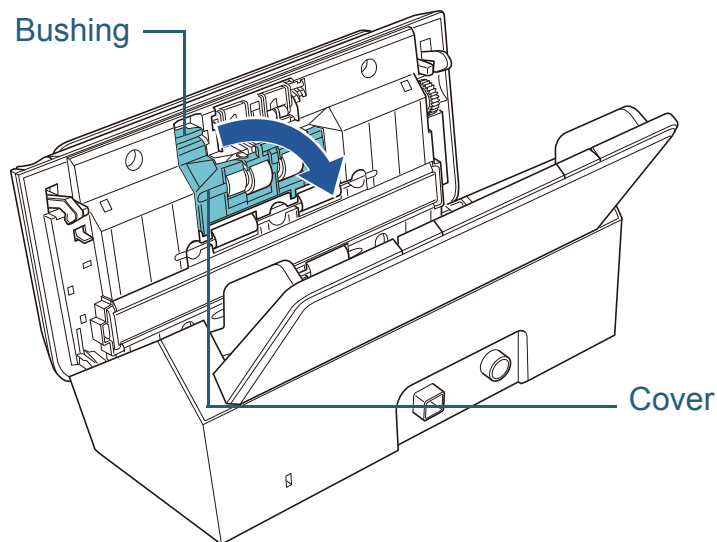
The roller set consists of a brake roller and a pick roller. Replace each roller in the following procedure.

- 1 Remove all documents from the ADF paper chute (feeder).
- 2 Open the ADF.  
For details, refer to "1.4 Opening/Closing the ADF" (page 17).

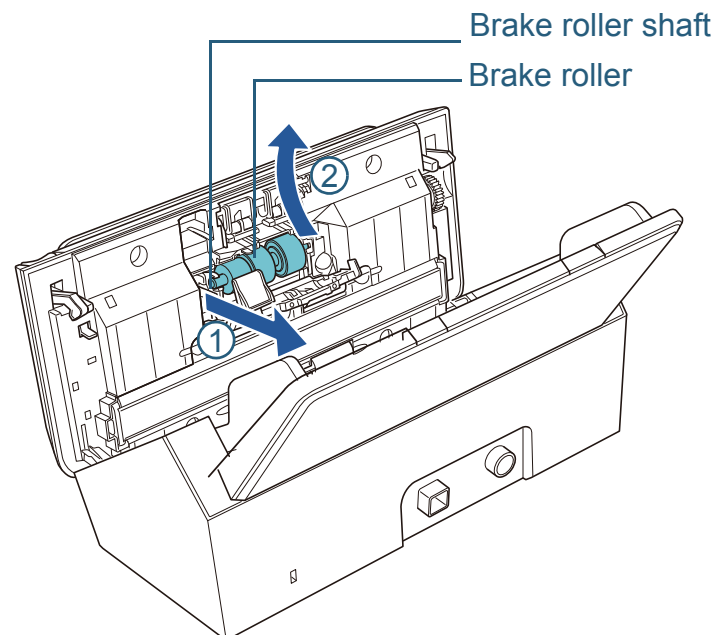


Be careful not to have your fingers caught when the ADF closes.

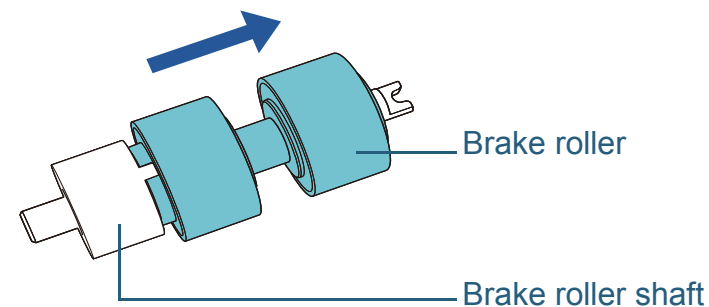
- 3 Remove the brake roller.
  - 1 Press the cover bushing of the brake roller to open the cover in the direction of the arrow.



- 2 Pull out the left side of the brake roller shaft, and then pull out the right side of the shaft from the hole.



- 4 Remove the brake roller from its shaft.



TOP

Contents

Index

Introduction

Scanner  
OverviewHow to Load  
DocumentsHow to Use the  
Operator PanelVarious Ways to  
Scan

Daily Care

Replacing the  
Consumables

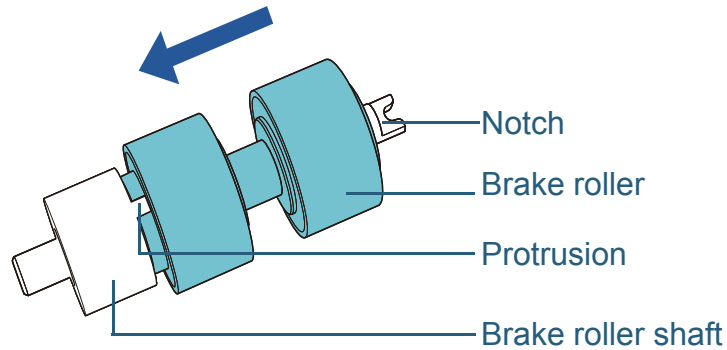
Troubleshooting

Operational  
Settings

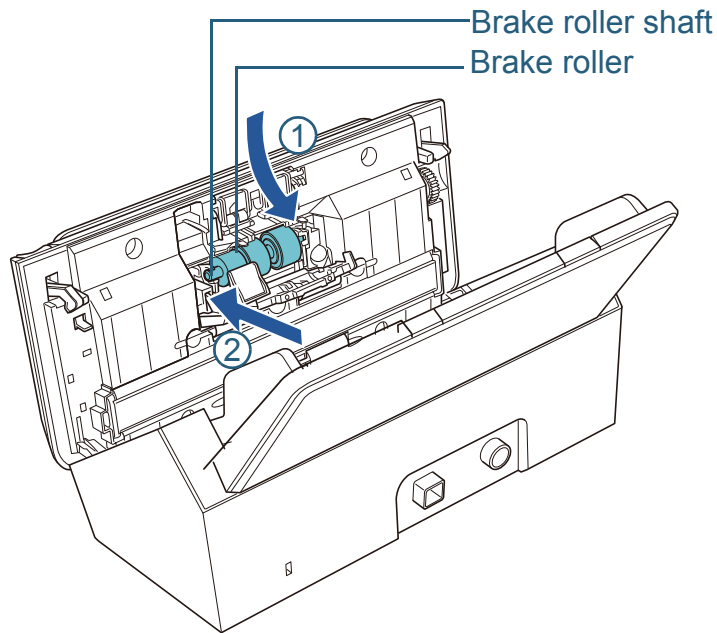
Appendix

Glossary

- 5** Attach a new brake roller on the shaft.  
Insert the protrusion on the shaft into the slot.



- 6** Attach the shaft.  
1 Attach the notch, which is on the brake roller shaft, to the slot on the right then attach the left side of the shaft.



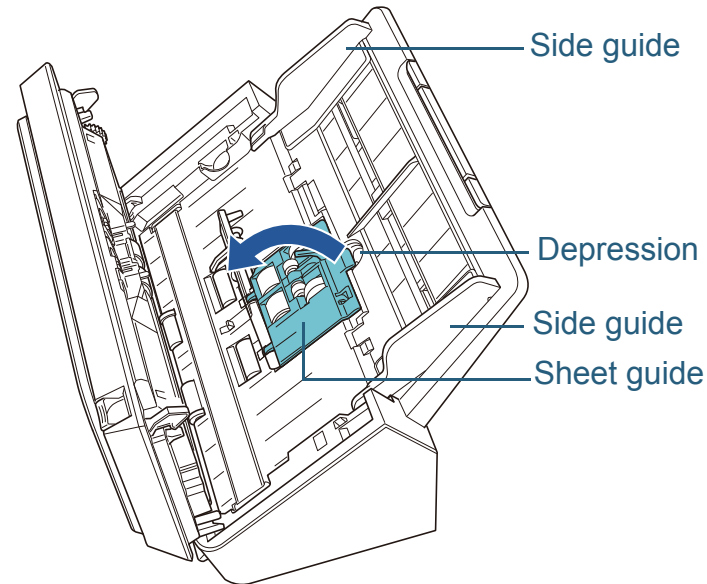
- 2 Close the cover.

**ATTENTION**

Confirm that the brake roller is installed properly. Otherwise, it may cause feeding errors such as paper jams.

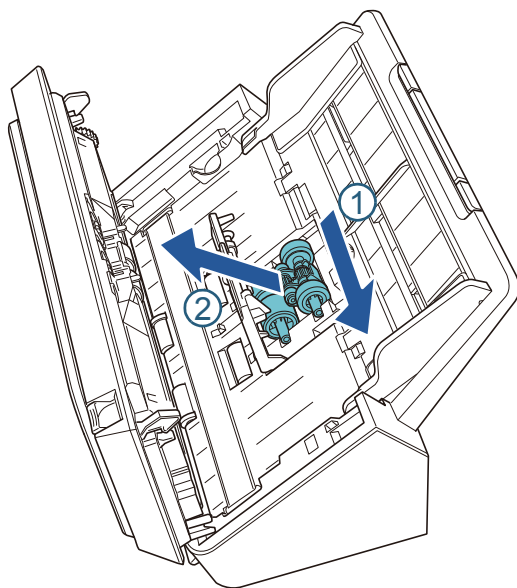
- 7** Remove the pick roller.

- 1 Open the side guide fully to both sides. Then place your finger into the depression and open the sheet guide in the direction of the arrow.



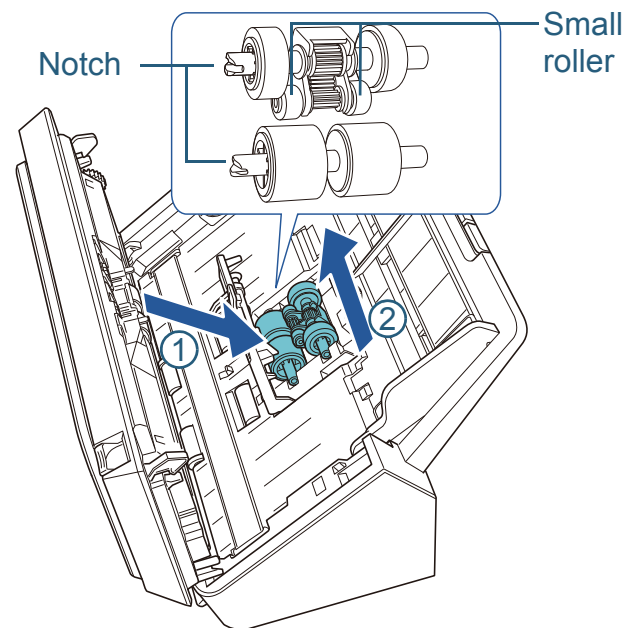


2 Slide the pick roller and remove it from the top.



**8** Attach a new pick roller from the bottom.

1 Check the direction of the notch on the pick roller and of the small roller, and insert it in the hole.



2 Close the sheet guide.

**ATTENTION**

Check that the pick roller is installed properly. Otherwise, it may cause feeding errors such as paper jams.

**9** Close the ADF.

For details, refer to ["1.4 Opening/Closing the ADF"](#) (page 17).



Be careful not to have your fingers caught when the ADF closes.

**10** Reset the roller set counter.

Start the Software Operation Panel and reset the counter. For details, refer to ["Resetting the sheet counters"](#) (page 97).

- TOP
- Contents
- Index
- Introduction
- Scanner Overview
- How to Load Documents
- How to Use the Operator Panel
- Various Ways to Scan
- Daily Care
- Replacing the Consumables
- Troubleshooting
- Operational Settings
- Appendix
- Glossary



# Chapter 7 Troubleshooting

---

This chapter explains about the countermeasures against paper jams and other troubles, items to check before contacting your scanner service provider, and how to read the product labels on the scanner.

## ATTENTION

For details about errors/troubles not mentioned in this chapter, refer to the scanner driver's Help or Error Recovery Guide.

7.1 Paper Jam .....	63
7.2 Error Indications on Operator Panel .....	65
7.3 Troubleshooting Problems .....	68
7.4 Before You Contact the Scanner Service Provider .....	82
7.5 Checking the Product Labels.....	84

## 7.1 Paper Jam

When your document is jammed inside the scanner, remove the document in the following procedure.



- Do not use force to pull out the jammed document. Open the ADF to remove the document.
- Be careful not to touch any sharp parts when removing jammed documents. Doing so may result in injury.
- Be careful not to get your accessories (e.g. ties, necklaces) or hair caught inside the scanner.
- The inside of the ADF may become extremely hot during operation.

**1** Remove all documents from the ADF paper chute (feeder).

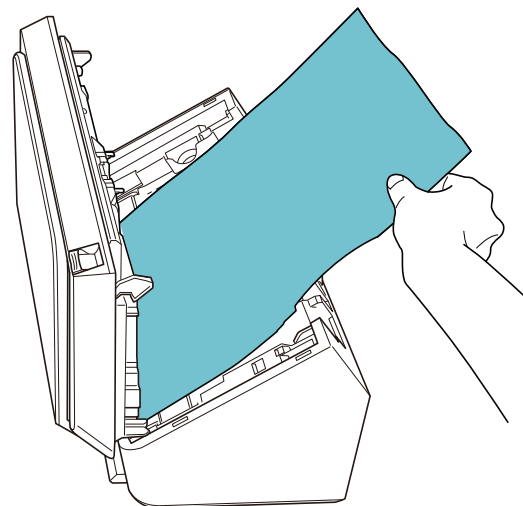
**2** Open the ADF.

For details, refer to "[1.4 Opening/Closing the ADF](#)" (page 17).



Be careful not to have your fingers caught when the ADF closes.

**3** Remove the jammed document.



### ATTENTION

- Make sure to check the documents and the paper path thoroughly and remove all staples and paper clips as they cause paper jams.
- Be careful not to damage the glass surface and the guides when removing documents with staples or paper clips.

[TOP](#)[Contents](#)[Index](#)[Introduction](#)[Scanner Overview](#)[How to Load Documents](#)[How to Use the Operator Panel](#)[Various Ways to Scan](#)[Daily Care](#)[Replacing the Consumables](#)[Troubleshooting](#)[Operational Settings](#)[Appendix](#)[Glossary](#)

## 4 Close the ADF.

For details, refer to ["1.4 Opening/Closing the ADF" \(page 17\)](#).



Be careful not to have your fingers caught when the ADF closes.

### ATTENTION

- Check that the ADF is closed properly. Otherwise, the document may not be scanned properly.
- When scanning is complete or canceled, documents may remain in the ADF without any error message displayed. In that case, remove the documents by following the above steps [1](#) to [4](#).

TOP

Contents

Index

Introduction

Scanner  
Overview

How to Load  
Documents

How to Use the  
Operator Panel

Various Ways to  
Scan

Daily Care

Replacing the  
Consumables

Troubleshooting

Operational  
Settings

Appendix

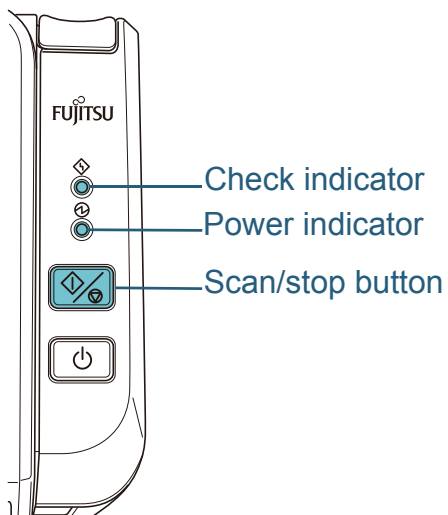
Glossary

## 7.2 Error Indications on Operator Panel

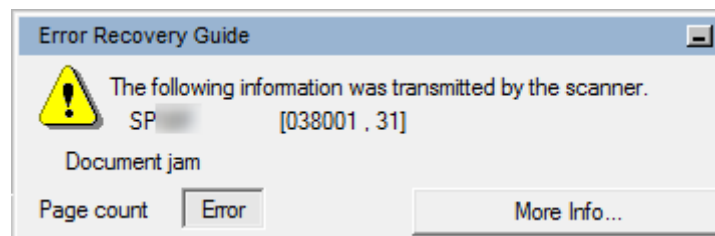
When an error occurs during scanning, the operator panel indicators turn on as shown below.

- Temporary errors  
The check indicator turns on.  
The power indicator stays on.
- Device errors  
The check indicator flashes.  
The power indicator stays on.

Temporary errors can be recovered by the user, whereas device errors require a service engineer to perform recovery.



If the Error Recovery Guide is installed in your computer, the Error Recovery Guide window appears when the Windows operating system is started up. When an error occurs, the Error Recovery Guide window displays related information such as the name of the error and the error code (number). Write down the information shown in the window and click the [More Info] button to check for troubleshooting methods.



TOP

Contents

Index

Introduction

Scanner  
OverviewHow to Load  
DocumentsHow to Use the  
Operator PanelVarious Ways to  
Scan

Daily Care

Replacing the  
Consumables

Troubleshooting

Operational  
Settings

Appendix

Glossary

## Temporary Errors

The following are lists of temporary errors which can be recovered by the user.

When a temporary error occurs, the check indicator turns on.

Item	Resolution
Paper jam	<ol style="list-style-type: none"> <li>1 Remove the jammed document. For details, refer to "<a href="#">7.1 Paper Jam</a>" (page 63).</li> <li>2 Check if the document is suitable for scanning with the ADF. For details, refer to "<a href="#">2.2 Documents for Scanning</a>" (page 30).</li> </ol>
Multifeed	When you press the scan/stop button on the operator panel, the documents are ejected.
Cover open (ADF)	Close the ADF and reload the documents.

TOP

Contents

Index

Introduction

Scanner  
OverviewHow to Load  
DocumentsHow to Use the  
Operator PanelVarious Ways to  
Scan

Daily Care

Replacing the  
Consumables

Troubleshooting

Operational  
Settings

Appendix

Glossary

## Device Errors

The following are lists of device errors which require troubleshooting by a service engineer.

Check indicator	Power indicator	Item	Resolution
Flashes 2 times	On	Optical error (ADF Front)	1 Clean the glass section. For details, refer to " <a href="#">Chapter 5 Daily Care</a> " (page 48).  2 Turn the scanner off then back on. If the problem persists, write down the status of the indicators and contact your FUJITSU scanner dealer or an authorized FUJITSU scanner service provider.
Flashes 3 times	On	Optical error (ADF Back)	
Flashes (continual)	On	Other error	Turn the scanner off then back on. If the problem persists, write down the status of the indicators and contact your FUJITSU scanner dealer or an authorized FUJITSU scanner service provider.

TOP

Contents

Index

Introduction

Scanner  
OverviewHow to Load  
DocumentsHow to Use the  
Operator PanelVarious Ways to  
Scan

Daily Care

Replacing the  
Consumables

Troubleshooting

Operational  
Settings

Appendix

Glossary

## 7.3 Troubleshooting Problems

This section describes the resolutions for troubles that may occur while using the scanner. Please check the following items before you request a repair. If the problem persists, check each item in "7.4 Before You Contact the Scanner Service Provider" (page 82), and then contact your FUJITSU scanner dealer or an authorized FUJITSU scanner service provider.

The following are some examples of troubles that you may experience.

Symptoms
"Scanner cannot be powered ON." (page 69)
"Scanning does not start." (page 70)
"The image quality of pictures/photos is poor or dirty." (page 71)
"Quality of scanned text or lines is unsatisfactory." (page 72)
"Images are distorted or not clear." (page 73)
"Vertical streaks appear on the scanned image." (page 74)
"When the scanner is turned on, the check indicator on the operator panel turns on or flashes." (page 75)
"Multifeed error occurs frequently." (page 76)
"Situation in which the document is not fed into the ADF occurs frequently." (page 77)
"Paper jams/pick errors occur frequently." (page 78)
"Scanned images turn out elongated." (page 79)

Symptoms
"A shadow appears at the top or the bottom of the scanned image." (page 80)
"There are black traces on the document." (page 81)

TOP

Contents

Index

Introduction

Scanner  
OverviewHow to Load  
DocumentsHow to Use the  
Operator PanelVarious Ways to  
Scan

Daily Care

Replacing the  
Consumables

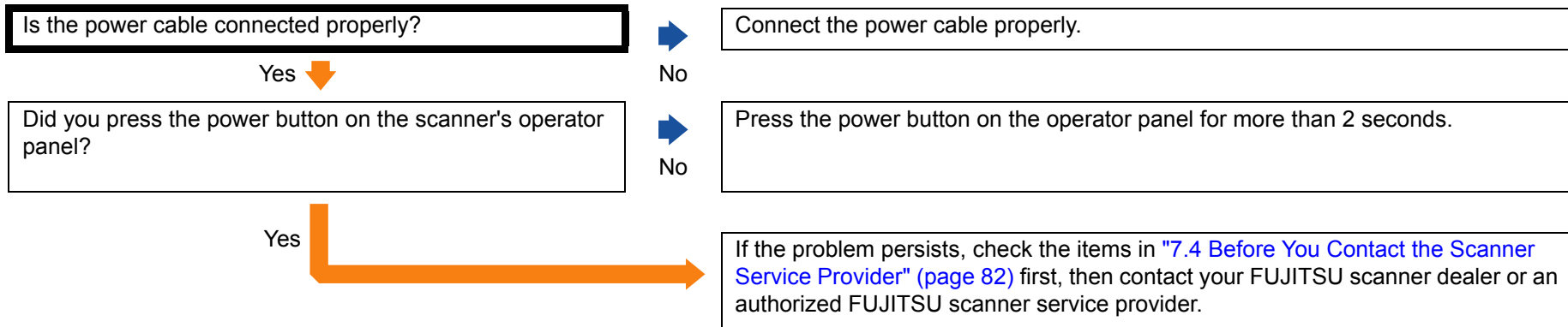
Troubleshooting

Operational  
Settings

Appendix

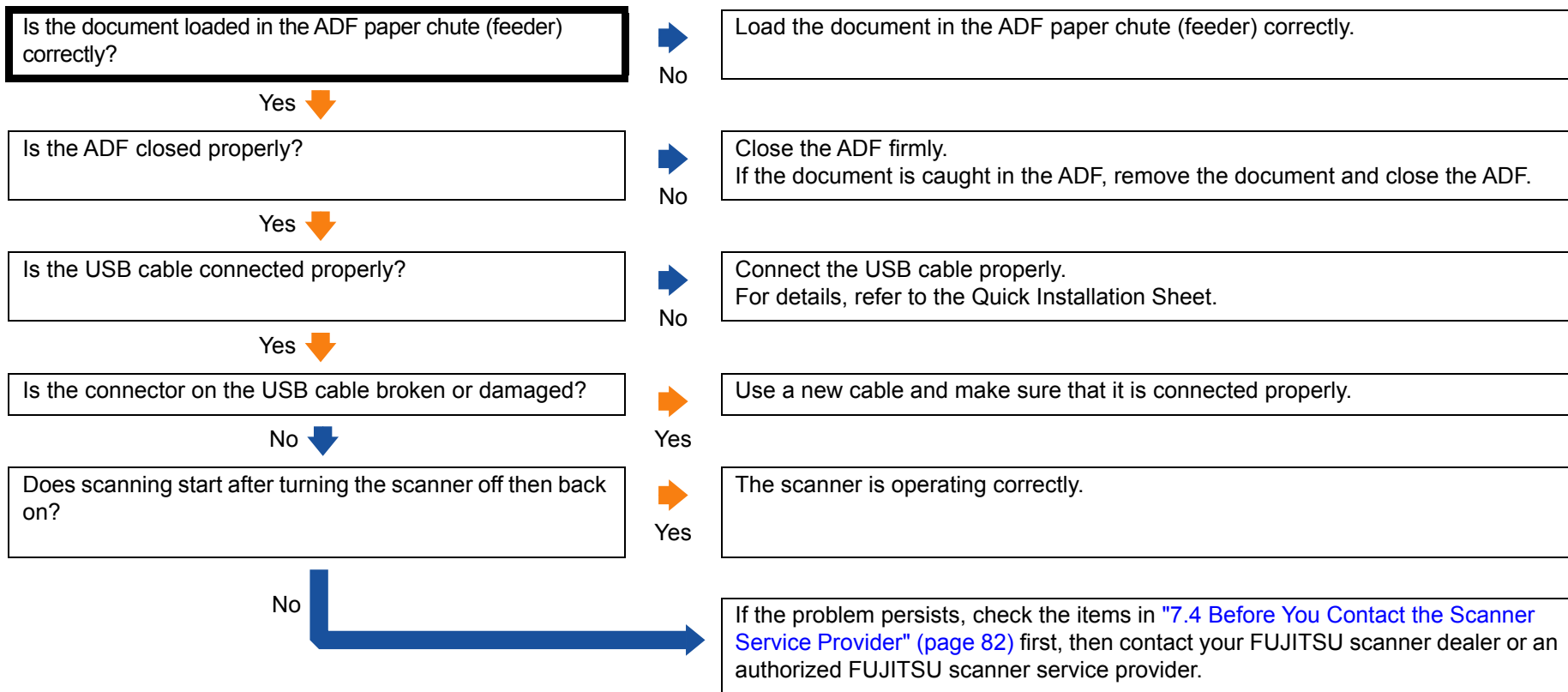
Glossary

## Scanner cannot be powered ON.



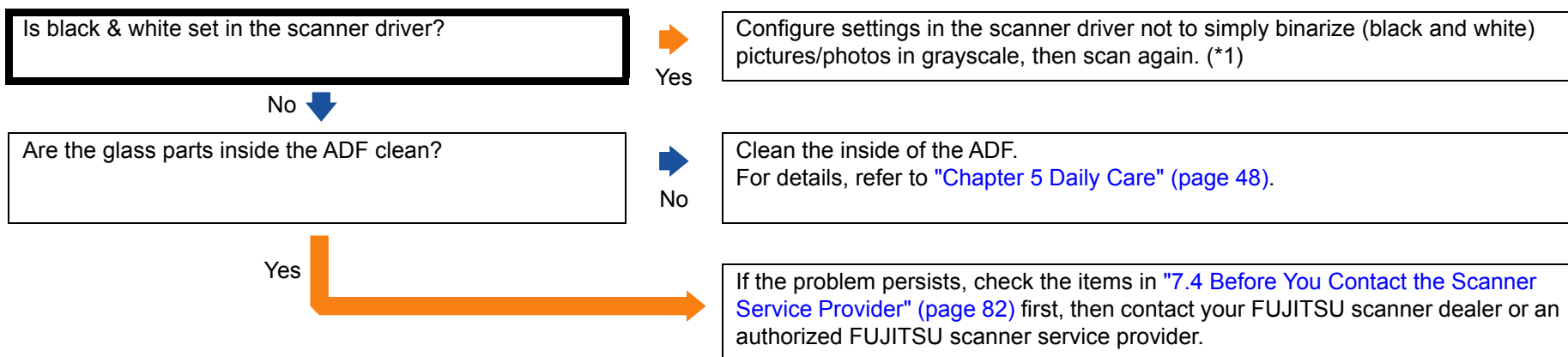


## Scanning does not start.



- TOP
- Contents
- Index
- Introduction
- Scanner Overview
- How to Load Documents
- How to Use the Operator Panel
- Various Ways to Scan
- Daily Care
- Replacing the Consumables
- Troubleshooting
- Operational Settings
- Appendix
- Glossary

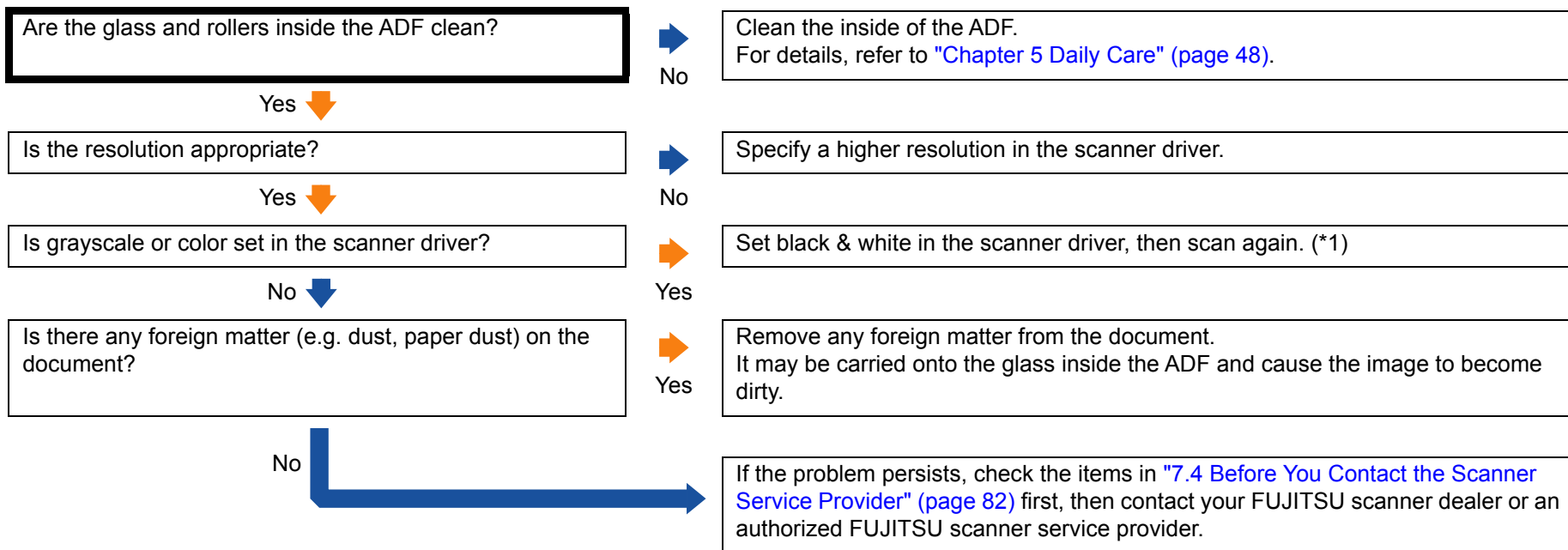
## The image quality of pictures/photos is poor or dirty.



\*1: Scanned images may significantly differ from the original if you scan pictures or photos in black & white.

- TOP
- Contents
- Index
- Introduction
- Scanner Overview
- How to Load Documents
- How to Use the Operator Panel
- Various Ways to Scan
- Daily Care
- Replacing the Consumables
- Troubleshooting**
- Operational Settings
- Appendix
- Glossary

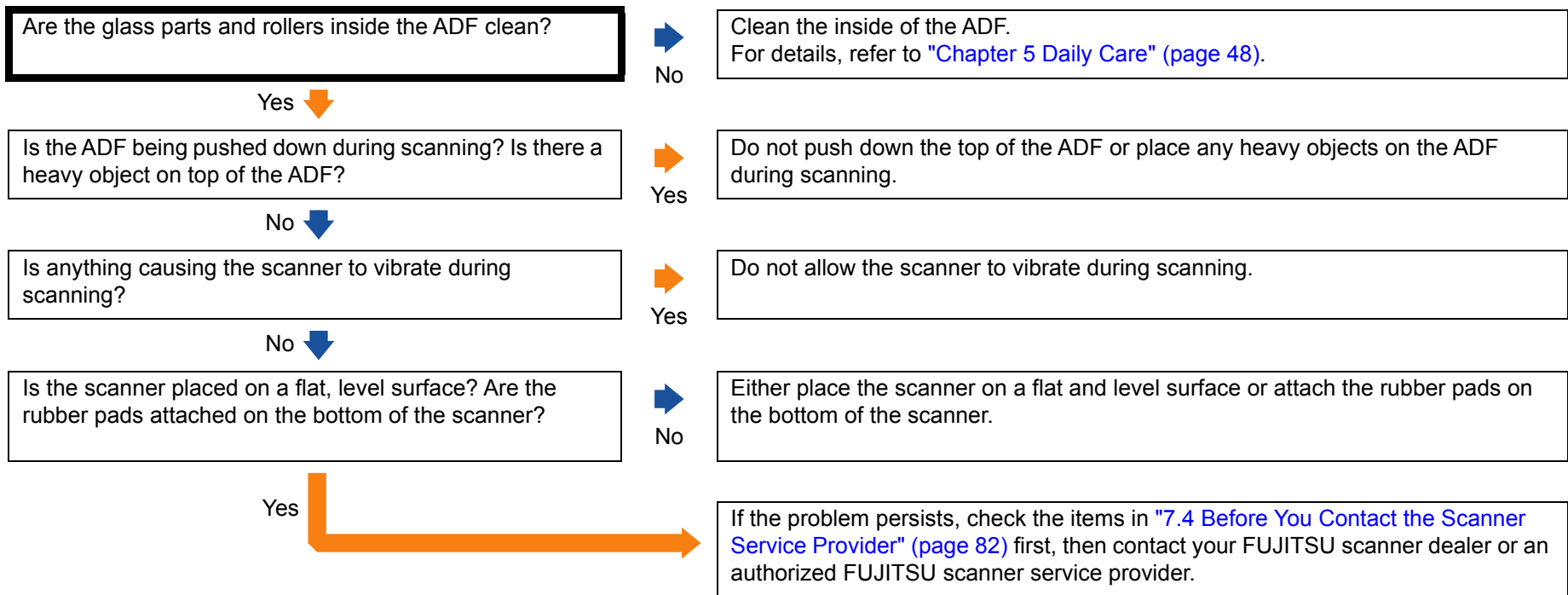
## Quality of scanned text or lines is unsatisfactory.



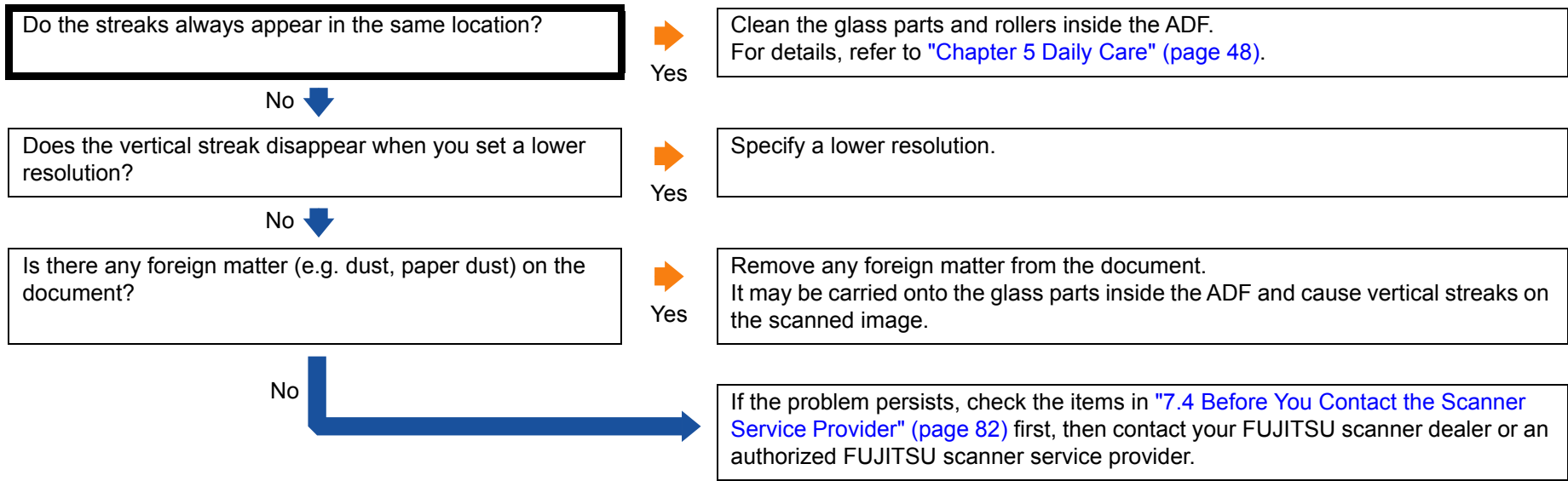
\*1: When scanning in grayscale or color, the scanned image may not become sharp and clear.

- TOP
- Contents
- Index
- Introduction
- Scanner Overview
- How to Load Documents
- How to Use the Operator Panel
- Various Ways to Scan
- Daily Care
- Replacing the Consumables
- Troubleshooting
- Operational Settings
- Appendix
- Glossary

## Images are distorted or not clear.

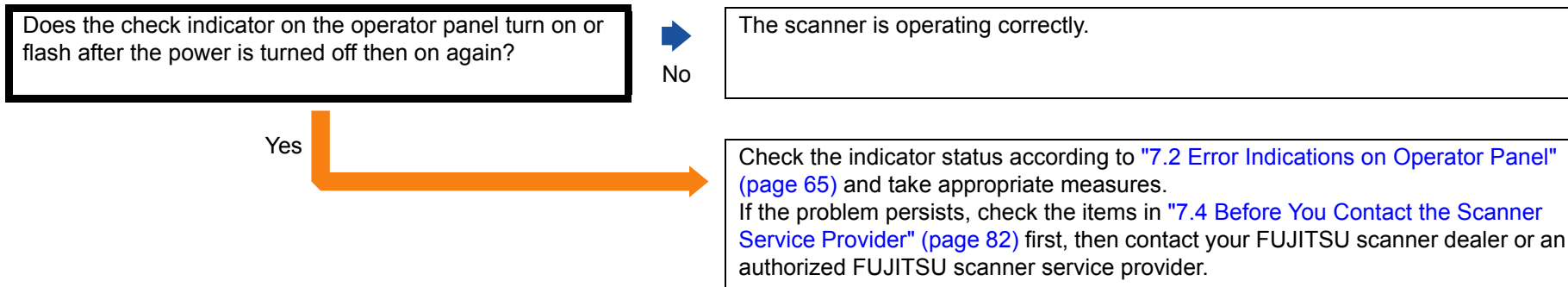


## Vertical streaks appear on the scanned image.

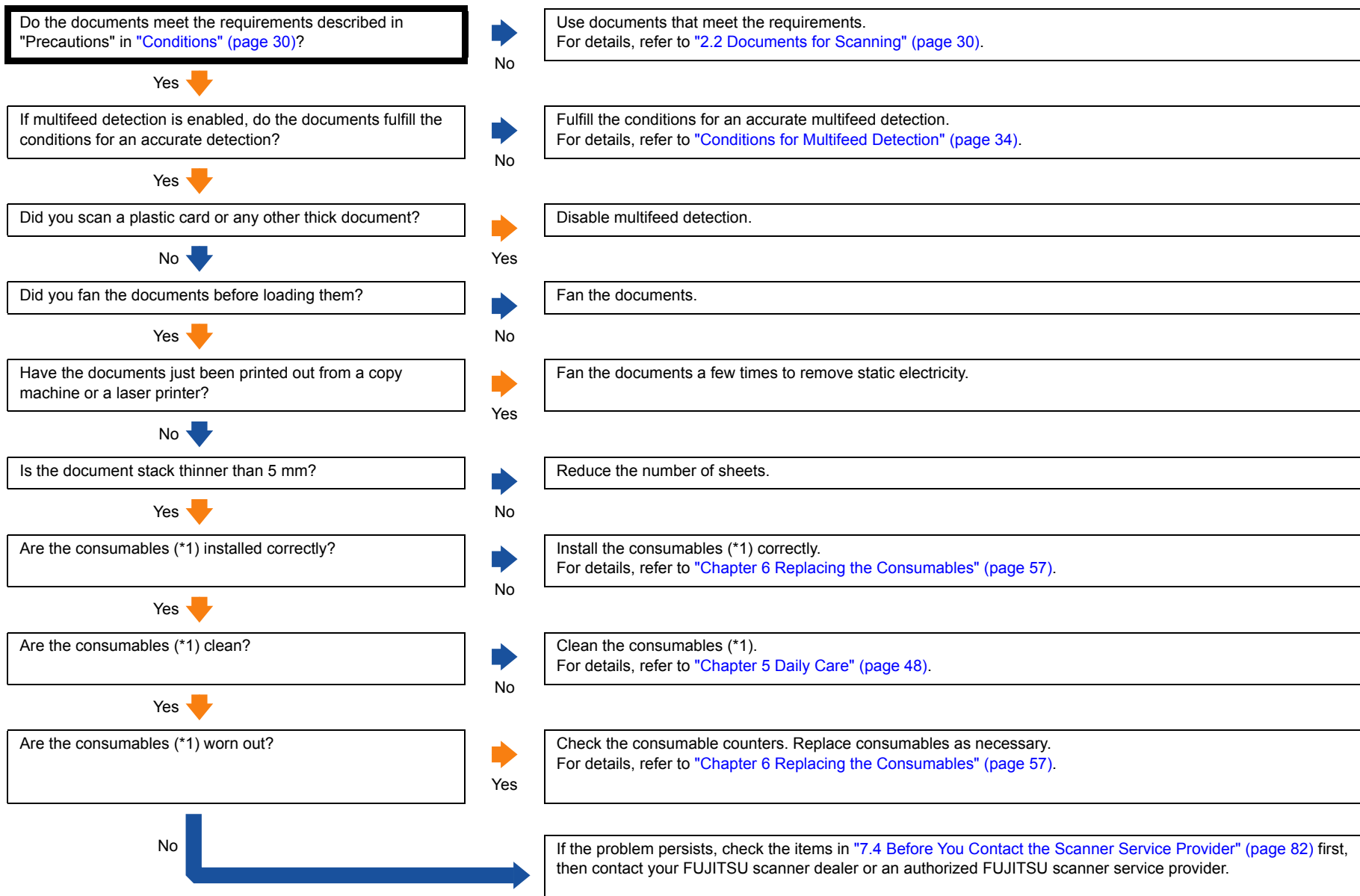


- TOP
- Contents
- Index
- Introduction
- Scanner Overview
- How to Load Documents
- How to Use the Operator Panel
- Various Ways to Scan
- Daily Care
- Replacing the Consumables
- Troubleshooting**
- Operational Settings
- Appendix
- Glossary

## When the scanner is turned on, the check indicator on the operator panel turns on or flashes.



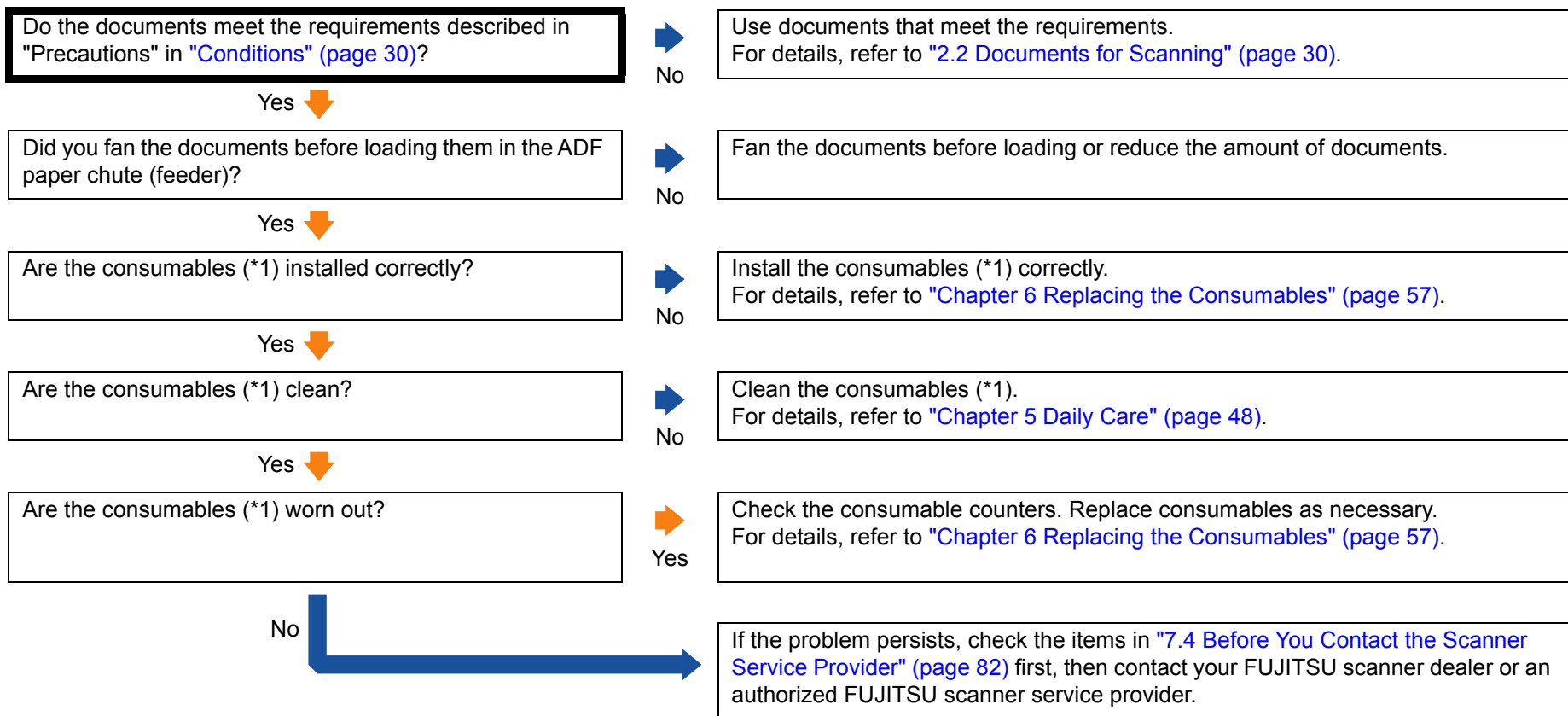
## Multifeed error occurs frequently.



\*1: "Consumables" refers to the roller set.

- TOP
- Contents
- Index
- Introduction
- Scanner Overview
- How to Load Documents
- How to Use the Operator Panel
- Various Ways to Scan
- Daily Care
- Replacing the Consumables
- Troubleshooting**
- Operational Settings
- Appendix
- Glossary

## Situation in which the document is not fed into the ADF occurs frequently.

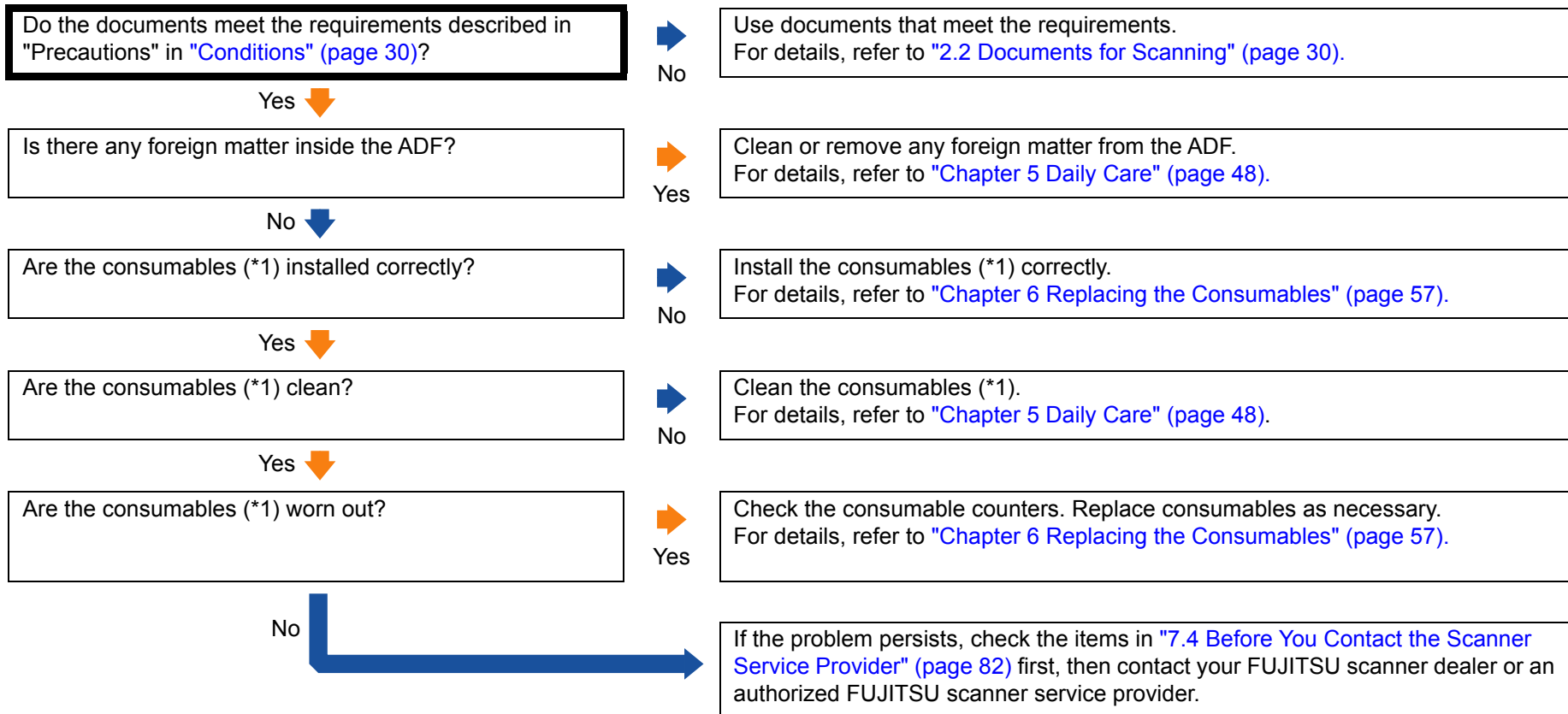


\*1: "Consumables" refers to the roller set.

- TOP
- Contents
- Index
- Introduction
- Scanner Overview
- How to Load Documents
- How to Use the Operator Panel
- Various Ways to Scan
- Daily Care
- Replacing the Consumables
- Troubleshooting**
- Operational Settings
- Appendix
- Glossary

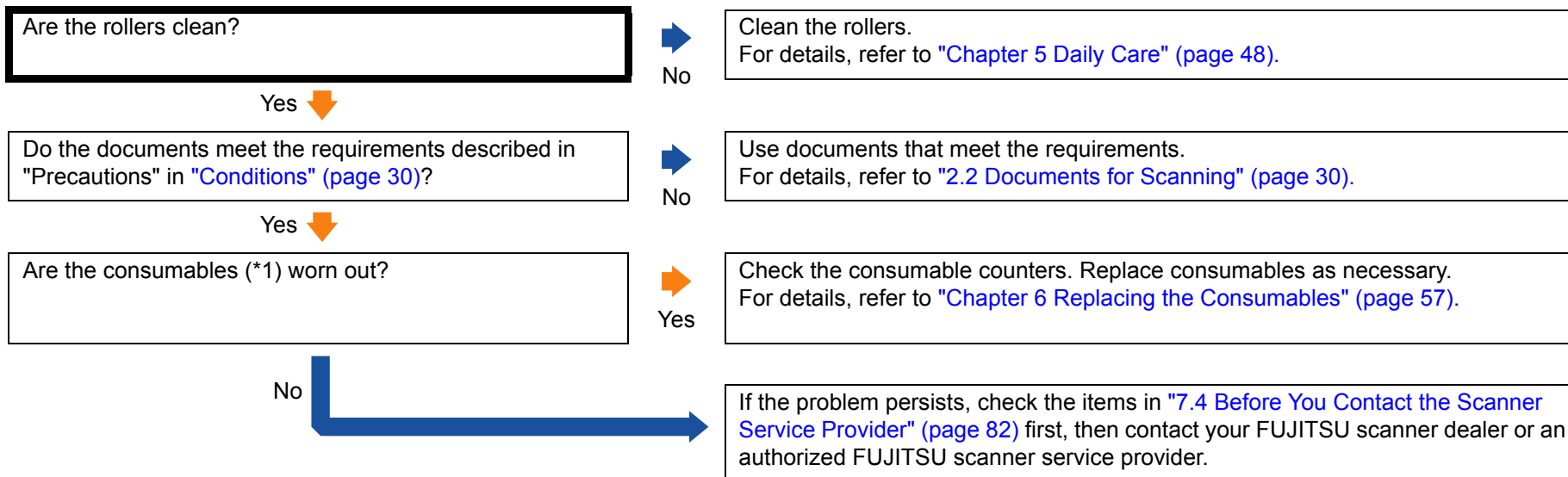


## Paper jams/pick errors occur frequently.



\*1: "Consumables" refers to the roller set.

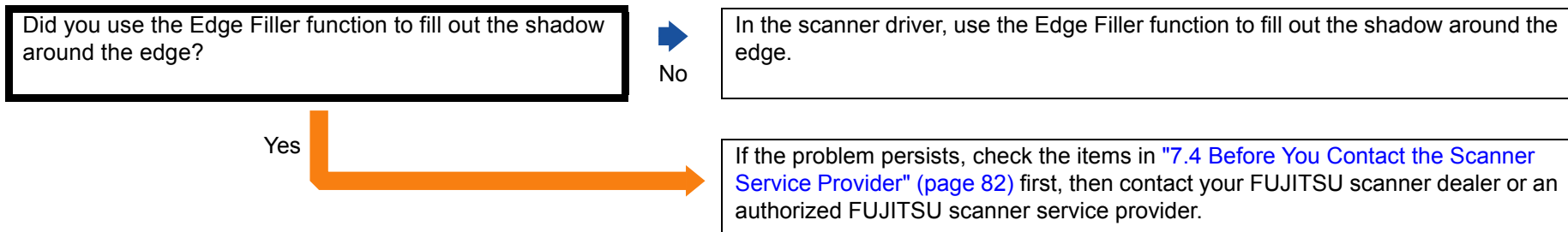
## Scanned images turn out elongated.



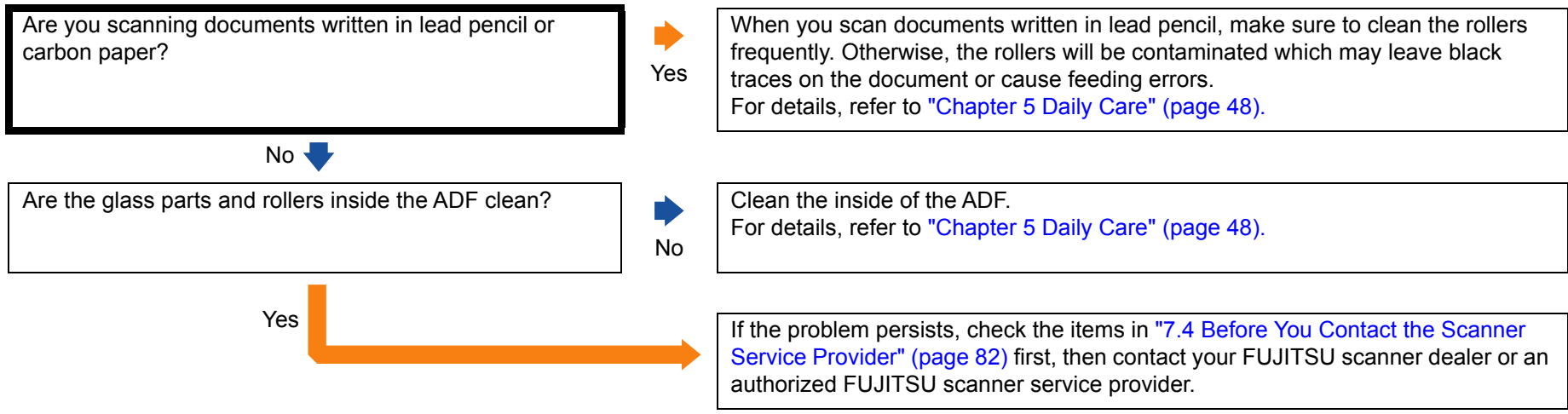
\*1: "Consumables" refers to the roller set.

- TOP
- Contents
- Index
- Introduction
- Scanner Overview
- How to Load Documents
- How to Use the Operator Panel
- Various Ways to Scan
- Daily Care
- Replacing the Consumables
- Troubleshooting**
- Operational Settings
- Appendix
- Glossary

## A shadow appears at the top or the bottom of the scanned image.



## There are black traces on the document.



- TOP
- Contents
- Index
- Introduction
- Scanner Overview
- How to Load Documents
- How to Use the Operator Panel
- Various Ways to Scan
- Daily Care
- Replacing the Consumables
- Troubleshooting**
- Operational Settings
- Appendix
- Glossary

## 7.4 Before You Contact the Scanner Service Provider

Please check the following items before contacting your FUJITSU scanner dealer or an authorized FUJITSU scanner service provider.

### General

Item	Findings
Scanner model name	Example: SP-1120 For details, refer to <a href="#">"7.5 Checking the Product Labels" (page 84)</a> .
Serial No.	Example: XXXX000001 For details, refer to <a href="#">"7.5 Checking the Product Labels" (page 84)</a> .
Date of manufacture	Example: 2015-02 (February 2015) For details, refer to <a href="#">"7.5 Checking the Product Labels" (page 84)</a> .
Date of purchase	
Symptom	
Frequency of trouble	
Warranty	

### Error Status

#### ■ Computer connection issues

Item	Findings
Operating system (Windows)	
Error message	
Interface	Example: USB interface
Interface controller	

#### ■ Feeding issues

Item	Findings
Paper type	
Main purpose of use	
Date of last cleaning	
Date of consumable replacement	
Operator panel status	

TOP

Contents

Index

Introduction

Scanner  
OverviewHow to Load  
DocumentsHow to Use the  
Operator PanelVarious Ways to  
Scan

Daily Care

Replacing the  
Consumables

Troubleshooting

Operational  
Settings

Appendix

Glossary

## ■ Image quality issues

Item	Findings
Scanner driver and version	
Interface controller	
Operating system (Windows)	
Application	Example: PaperStream Capture Lite
Scanning side(s)	Example: front, both
Resolution	Example: 600 dpi, 75 dpi
Image mode	Example: color, grayscale, black & white

## ■ Other

Item	Findings
Can you send the output image and a photo that shows the paper condition by e-mail or fax?	

TOP

Contents

Index

Introduction

Scanner  
OverviewHow to Load  
DocumentsHow to Use the  
Operator PanelVarious Ways to  
Scan

Daily Care

Replacing the  
Consumables

Troubleshooting

Operational  
Settings

Appendix

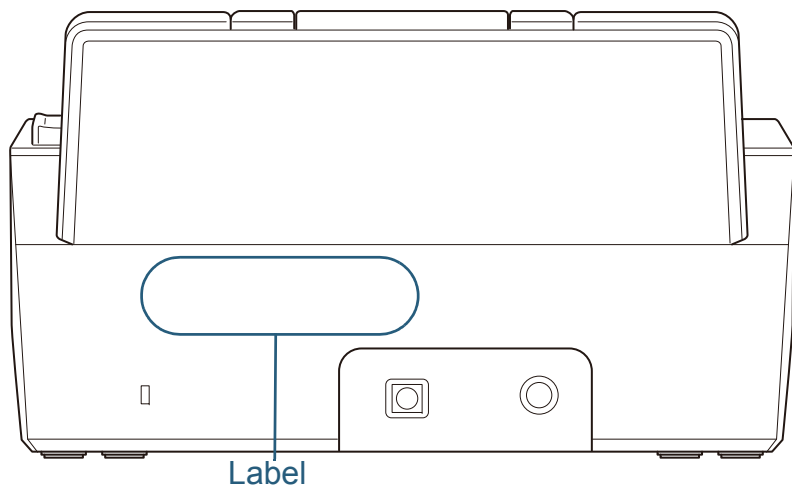
Glossary

## 7.5 Checking the Product Labels

This section explains about the product labels on the scanner.

### Location

The location of the label is shown below.



Label example: Shows the scanner information.

SP Series	SP-11 200	20V	1.1A	2.0kg
PART NO. (부품번호)	PA01700-0001	A	1 2 3 4 5 6 7 8 9	
SER. NO. (제조번호)	0100000001		0 1 2 3 4 5 6 7 8 9	
DATE (제조연월)	2013-05			
REGULATORY MODEL (규정모델명)	P2100A	* 0100000001 *		
상호명: 한국후지쯔(주)	기자재의명칭: Image Scanner			
A/S센터: 02-3787-6159	제조국가: 중국			
제조사: PFU LIMITED				
PFU Limited		PFU MADE IN CHINA		FY

TOP

Contents

Index

Introduction

Scanner  
OverviewHow to Load  
DocumentsHow to Use the  
Operator PanelVarious Ways to  
Scan

Daily Care

Replacing the  
Consumables

Troubleshooting

Operational  
Settings

Appendix

Glossary

# Chapter 8 Operational Settings

---

This chapter explains how to use the Software Operation Panel to configure the scanner settings.

8.1 Starting Up the Software Operation Panel .....	86
8.2 Password Setting for the Software Operation Panel .....	88
8.3 Configuration Items .....	94
8.4 Settings Related to Sheet Counters .....	96
8.5 Settings Related to Waiting Time.....	98



## 8.1 Starting Up the Software Operation Panel

The Software Operation Panel is installed together with the PaperStream IP driver.

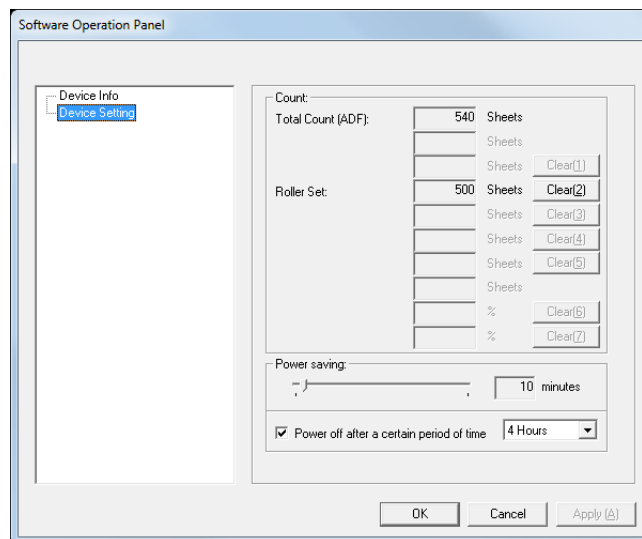
This application allows you to configure various settings such as the operation of the scanner and managing the consumables.


### ATTENTION

- Do not use the operator panel while the Software Operation Panel is running.
- If you connect multiple scanners, only the first scanner will be recognized.  
Connect only one scanner at a time.

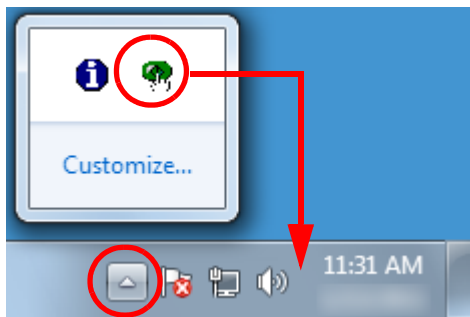
- Check that the scanner is connected to the computer, then turn on the scanner.  
For details about how to turn on the scanner, refer to "1.3 Turning the Power ON/OFF" (page 16).

- Display the [Software Operation Panel] window.
  - Windows Server 2008/Windows 7  
Select [Start] menu → [All Programs] → [SP Series] → [Software Operation Panel].
  - Windows Server 2012  
Right-click the Start screen, and select [All apps] on the app bar → [Software Operation Panel] under [SP Series].
  - Windows Server 2012 R2/Windows 8.1  
Select [↓] on the lower left side of the Start screen → [Software Operation Panel] under [SP Series].  
To display [↓], move the mouse cursor.
  - Windows 10/Windows Server 2016/Windows Server 2019  
Click [Start] menu → [SP Series] → [Software Operation Panel].



⇒ The Software Operation Panel icon is displayed in the menu that appears when you click  in the notification area.

To have the Software Operation Panel icon always displayed in the notification area, drag the icon and drop it onto the notification area. The notification area is located at the far right of the taskbar.



Procedures from here will be explained under the assumption that the Software Operation Panel is always displayed in the notification area.

TOP

Contents

Index

Introduction

Scanner  
Overview

How to Load  
Documents

How to Use the  
Operator Panel

Various Ways to  
Scan

Daily Care

Replacing the  
Consumables

Troubleshooting

Operational  
Settings

Appendix

Glossary

## 8.2 Password Setting for the Software Operation Panel

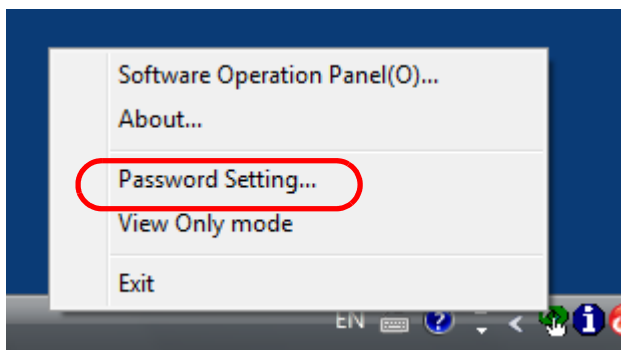
By setting a password, the Software Operation Panel can run in [View Only mode] which allows users to only view the scanner settings.

The scanner settings can be changed if no password is set. In order to prevent unnecessary changes to the settings, a password can be used to restrict user operations.

### Setting a Password

Set a password in the following procedure.

- 1 Right-click the Software Operation Panel icon in the notification area, and select [Password Setting] from the menu.

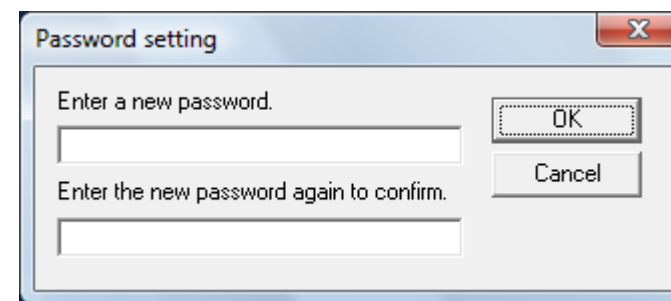


⇒ The [Password setting] dialog box appears.

- 2 Enter a new password then again to confirm, and click the [OK] button.

Up to 32 characters can be used for the password.

Note that only alphanumeric characters (a to z, A to Z, 0 to 9) are allowed.



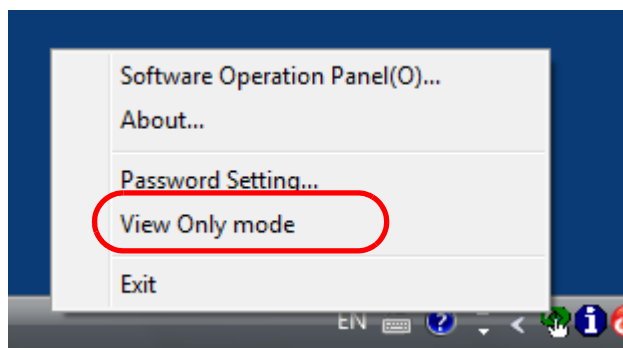
⇒ A confirmation message appears.

- 3 Click the [OK] button.  
⇒ The password is set.

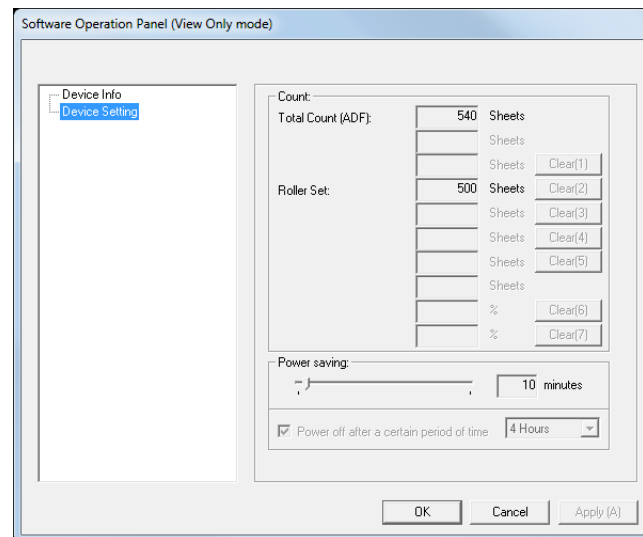
## Setting [View Only mode]

Set the Software Operation Panel to [View Only mode] in the following procedure.

- 1 Set a password.  
For details, refer to "Setting a Password" (page 88).
- 2 Right-click the Software Operation Panel icon in the notification area, and select [View Only mode] from the menu.

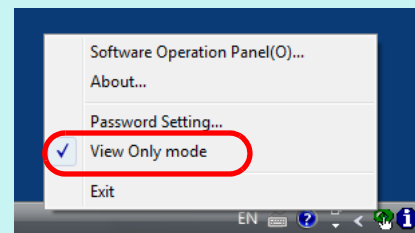


⇒ The Software Operation Panel enters the [View Only mode].



### HINT

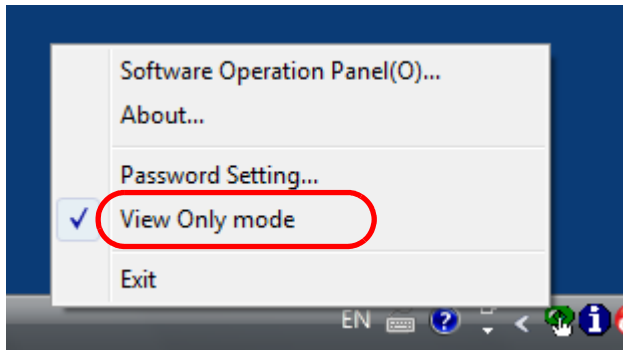
In [View Only mode], a check mark appears next to [View Only mode] in the menu that is displayed by right-clicking the Software Operation Panel icon in the notification area.



## Clearing [View Only mode]

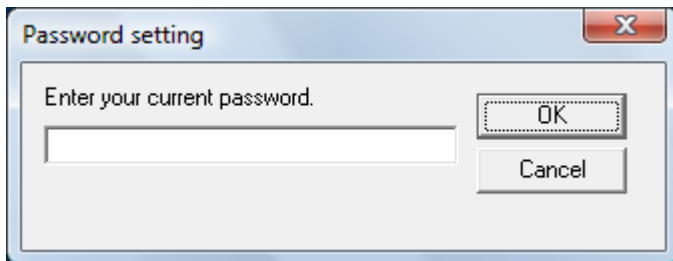
Clear [View Only mode] in the following procedure.

- 1 Right-click the Software Operation Panel icon in the notification area, and select [View Only mode] from the menu.

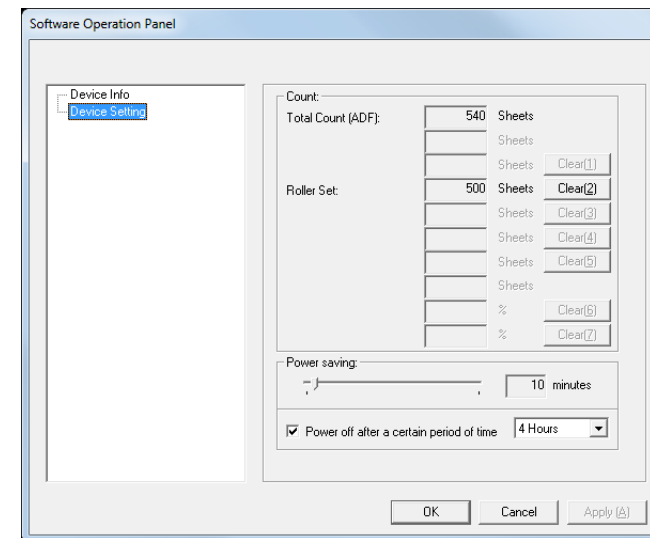


⇒ The [Password setting] dialog box appears.

- 2 Enter the current password and click the [OK] button.

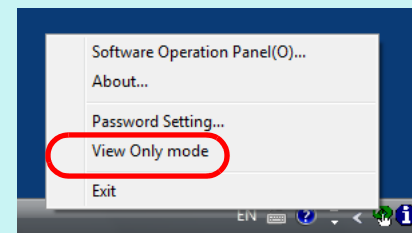


⇒ [View Only mode] is cleared, and the scanner settings can now be changed.



### HINT

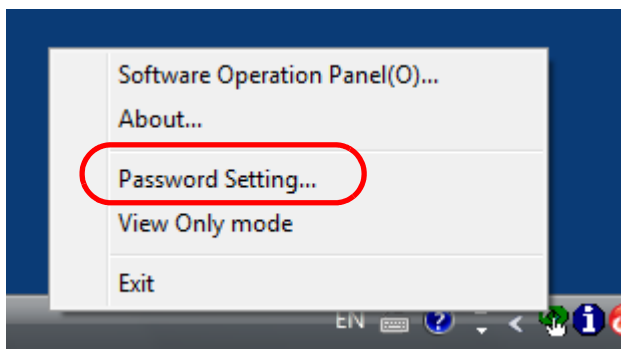
When you exit [View Only mode], the check mark next to [View Only mode] disappears from the menu that is displayed by right-clicking the Software Operation Panel icon in the notification area.



## Changing the Password

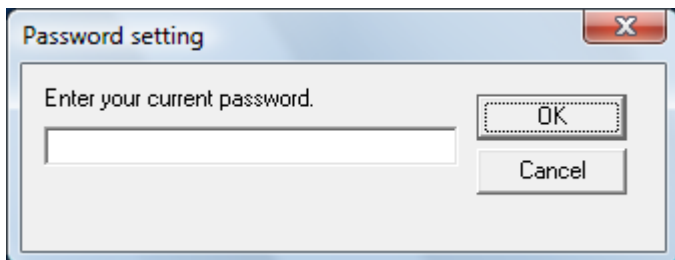
Change the password in the following procedure.

- 1 Right-click the Software Operation Panel icon in the notification area, and select [Password Setting] from the menu.



⇒ The [Password setting] dialog box appears.

- 2 Enter the current password and click the [OK] button.

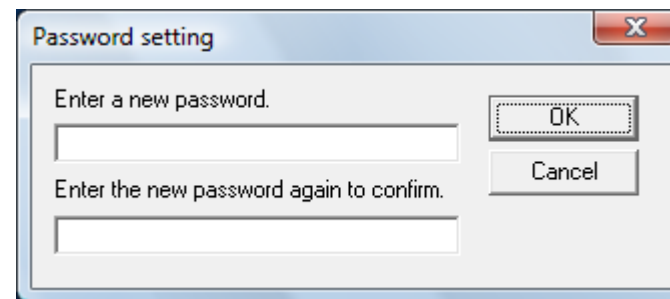


⇒ The [Password setting] dialog box appears.

- 3 Enter a new password then again to confirm, and click the [OK] button.

Up to 32 characters can be used for the password.

Note that only alphanumeric characters (a to z, A to Z, 0 to 9) are allowed.



⇒ A confirmation message appears.

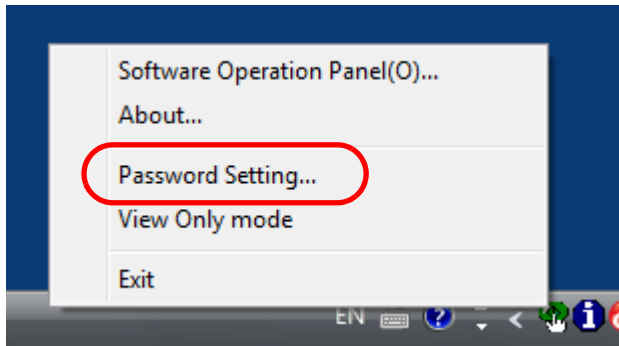
- 4 Click the [OK] button.

⇒ The password is set.

## Clearing the Password

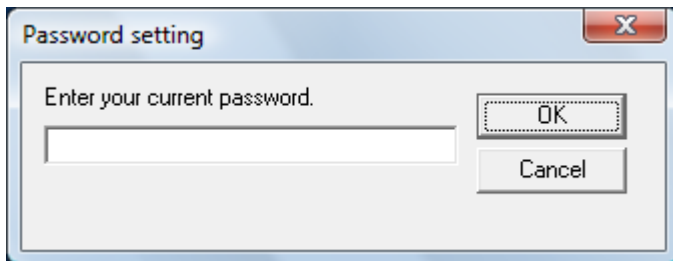
Clear the password in the following procedure.

- 1 Right-click the Software Operation Panel icon in the notification area, and select [Password Setting] from the menu.



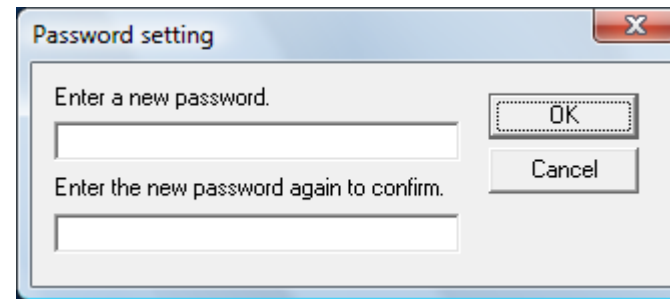
⇒ The [Password setting] dialog box appears.

- 2 Enter the current password and click the [OK] button.



⇒ The [Password setting] dialog box appears.

- 3 Leave both fields blank and click the [OK] button.



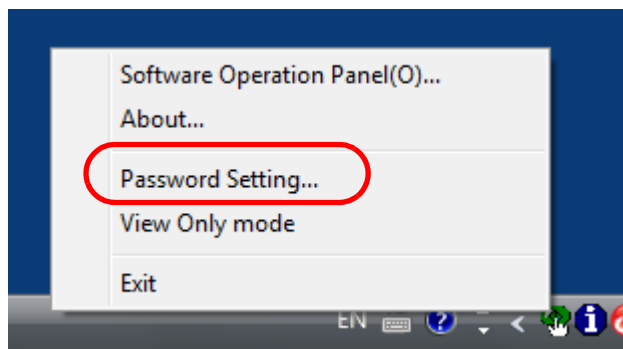
⇒ A confirmation message appears.

- 4 Click the [OK] button.  
⇒ The password is cleared.

## Resetting the Password

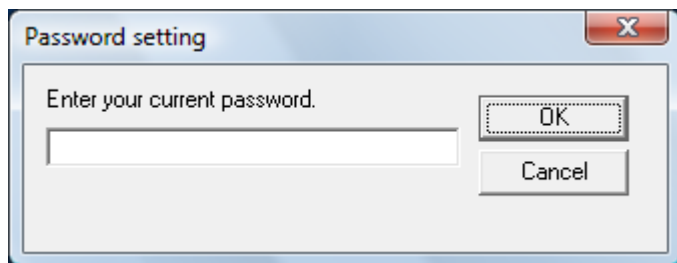
In case you forgot your password, it can be reset in the following procedure.

- 1 Right-click the Software Operation Panel icon in the notification area, and select [Password Setting] from the menu.



⇒ The [Password setting] dialog box appears.

- 2 Enter the default password which is "SP-Scanner", and click the [OK] button.

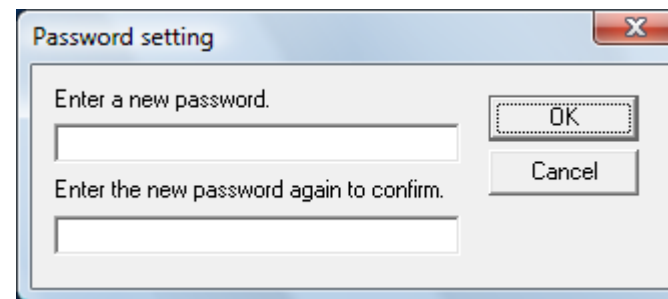


⇒ The [Password setting] dialog box appears.

- 3 Enter a new password then again to confirm, and click the [OK] button.

Up to 32 characters can be used for the password.

Note that only alphanumeric characters (a to z, A to Z, 0 to 9) are allowed.



⇒ A confirmation message appears.

- 4 Click the [OK] button.

⇒ The password is set.

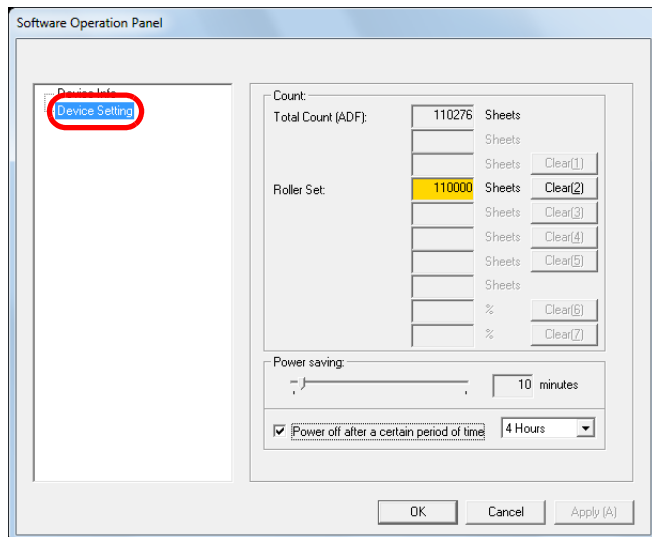


## 8.3 Configuration Items

The Software Operation Panel allows the configuration of the following settings for the scanner that is connected to the computer.

### Device Setting

- 1 Start up the Software Operation Panel.  
For details, refer to ["8.1 Starting Up the Software Operation Panel"](#) (page 86).
- 2 From the listing on the left, select [Device Setting].



Items that can be configured in the above dialog box are shown in the next page.

[TOP](#)[Contents](#)[Index](#)[Introduction](#)[Scanner  
Overview](#)[How to Load  
Documents](#)[How to Use the  
Operator Panel](#)[Various Ways to  
Scan](#)[Daily Care](#)[Replacing the  
Consumables](#)[Troubleshooting](#)[Operational  
Settings](#)[Appendix](#)[Glossary](#)

Item	Description	Parameter/Value	Factory Default
Count (page 96)	Check the counters to determine when to replace the consumables. Also use it to reset the counters after replacing the consumables.	Total Count (ADF)/Roller Set	0
Power saving (page 98)	Specify the waiting time before entering power saving mode.	Range: 5 to 115 min. (in increments of 5)	10 min.
	Power off after a certain period of time: Select to set the scanner to turn the power off automatically if the scanner is left on for a certain period of time without being used. Specify the timeout period for the scanner to be automatically turned off.	[Power off after a certain period of time] check box	Selected
		1 Hour/2 Hours/4 Hours/8 Hours (When the [Power off after a certain period of time] check box is selected)	4 Hours

- TOP
- Contents
- Index
- Introduction
- Scanner Overview
- How to Load Documents
- How to Use the Operator Panel
- Various Ways to Scan
- Daily Care
- Replacing the Consumables
- Troubleshooting
- Operational Settings**
- Appendix
- Glossary

## 8.4 Settings Related to Sheet Counters

### Checking and Resetting the Sheet Counters

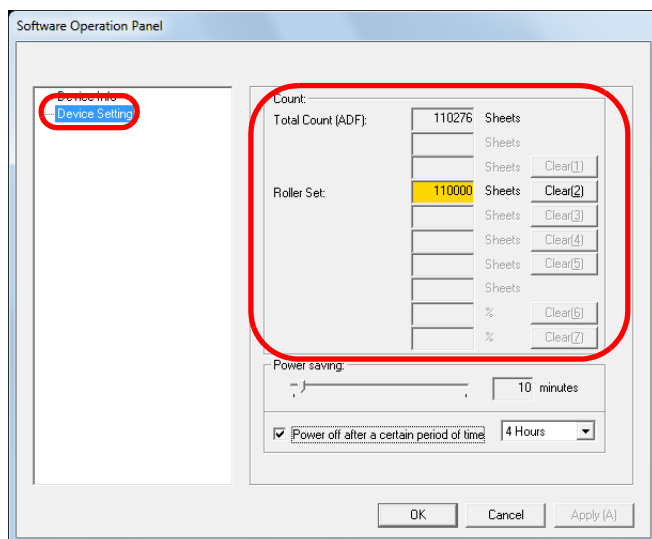
#### ■ Checking the sheet counters

The status on each consumable part can be checked to determine when to replace the consumables.

When a consumable needs to be replaced soon, the background color of the counter for the consumable changes. The background color of the roller set counter turns light yellow when the number of sheets scanned reaches 95,000, and turns yellow when it reaches 100,000.

For details about replacement cycles, refer to "6.1 Consumables and Replacement Cycles" (page 58).

- 1 Start the Software Operation Panel.  
For details, refer to "8.1 Starting Up the Software Operation Panel" (page 86).
- 2 From the listing on the left, select [Device Setting].



In this dialog box, you can check the following items:

Item	Description
Total Count (ADF)	Approximate total number of sheets scanned with the ADF
Roller Set	Approximate total number of sheets scanned after replacing the roller set The number increases in increments of 500 sheets.

#### ATTENTION

If the scanner was turned off by unplugging the power cable, the number of sheets may not be counted in [Total Count].

TOP

Contents

Index

Introduction

Scanner  
OverviewHow to Load  
DocumentsHow to Use the  
Operator PanelVarious Ways to  
Scan

Daily Care

Replacing the  
Consumables

Troubleshooting

Operational  
Settings

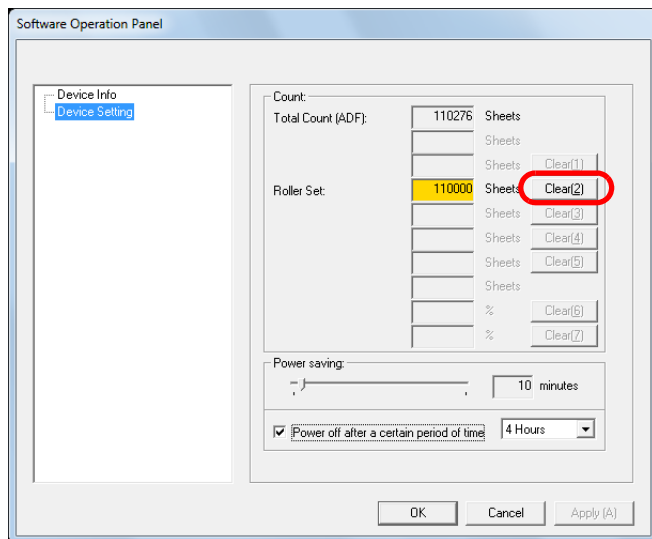
Appendix

Glossary

## ■ Resetting the sheet counters

When you have replaced or cleaned a consumable part, reset the corresponding counter by using the following procedure.

- 1 Click the [Clear] button for the consumable that you replaced.



⇒ The counter is reset to 0.

- 2 Click the [OK] button in the Software Operation Panel.

⇒ A confirmation message appears.

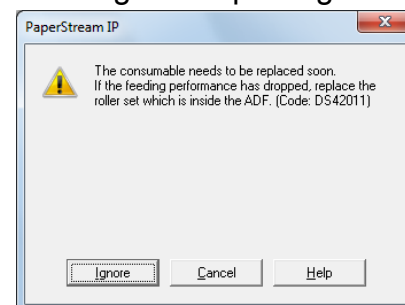
- 3 Click the [OK] button.

⇒ The settings are saved.

## ■ Message for replacing the consumables

The following message may appear while using the scanner.

### Message for replacing consumables



Check the message and replace the consumable accordingly.

If you click the [Ignore] button, the message disappears and the scan can be continued. However, it is recommended that you replace the consumable as soon as possible.

To stop the scan and replace the consumable right away, click the [Cancel] button.

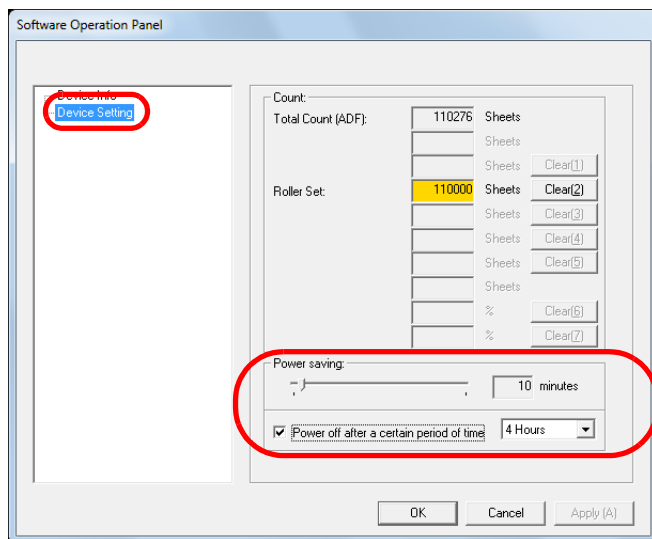
For details about replacing consumables, refer to ["6.2 Replacing the Roller Set"](#) (page 59).

## 8.5 Settings Related to Waiting Time

### Waiting Time to Enter Power Saving Mode (Power saving)

The waiting time for the scanner to enter power saving mode can be specified.

- 1 Start the Software Operation Panel.  
For details, refer to "8.1 Starting Up the Software Operation Panel" (page 86).
- 2 From the listing on the left, select [Device Setting].



- 3 Use the slider to specify the waiting time before entering power saving mode.

The value can range from 5 to 115 minutes (in increments of 5).

#### HINT

Selecting the [Power off after a certain period of time] check box turns the power off automatically if the scanner is left on for a certain period of time without being used.

You can select the timeout period for the scanner to be automatically turned off from 1 Hour/2 Hours/4 Hours/8 Hours.

TOP

Contents

Index

Introduction

Scanner  
OverviewHow to Load  
DocumentsHow to Use the  
Operator PanelVarious Ways to  
Scan

Daily Care

Replacing the  
Consumables

Troubleshooting

Operational  
Settings

Appendix

Glossary

# Appendix

---

This appendix provides the following information.

A.1 Basic Specification .....	100
A.2 Installation Specifications .....	102
A.3 Outer Dimensions .....	103
A.4 Uninstalling the Software .....	104

[TOP](#)

[Contents](#)

[Index](#)

[Introduction](#)

[Scanner  
Overview](#)

[How to Load  
Documents](#)

[How to Use the  
Operator Panel](#)

[Various Ways to  
Scan](#)

[Daily Care](#)

[Replacing the  
Consumables](#)

[Troubleshooting](#)

[Operational  
Settings](#)

[Appendix](#)

[Glossary](#)

## A.1 Basic Specification

Item		Specification			Notes
		SP-1120	SP-1125	SP-1130	
Scanner type		ADF			-
Image sensor		Single line CMOS-CIS × 2 (front, back)			-
Light source		RGB-LED × 2 (front, back)			
Available paper size	Minimum (width × length)	52 × 74 (mm)/2.05 × 2.91 (in.)			-
	Maximum (width × length)	216 × 355.6 (mm)/8.5 × 14 (in.)			(*1)
Paper weight (document thickness)		50 to 209 g/m <sup>2</sup> (13.4 to 56 lb) 127 to 209 g/m <sup>2</sup> (34 to 56 lb) for A8 size 0.76 mm or less for plastic cards (Embossed cards allowed (ISO7810 ID-1 type compliant))			
Scanning speed (A4 portrait) (*2)	Binary (black & white)	Simplex: 20 ppm Duplex: 40 ipm	Simplex: 25 ppm Duplex: 50 ipm	Simplex: 30 ppm Duplex: 60 ipm	300 dpi
	Grayscale				
	Color				
Loading capacity (*3)		50 sheets			Paper weight: 80 g/m <sup>2</sup> (20 lb) Total thickness: 5 mm or less
Optical resolution		600 dpi			-

Item		Specification			Notes
		SP-1120	SP-1125	SP-1130	
Output resolution	Binary (black & white)	50 to 600 dpi, 1200 dpi			Can be set in increments of 1 between 50 and 600 dpi. 1200 dpi can be set from the scanner driver.
	Grayscale				
	Color				
Grayscale level		8-bit for each color			For internal processing, 16-bit for each color
Interface		USB 2.0/1.1 (*4)			Type B
Other		Hardware real-time JPEG compression			-

\*1: Long page scanning supports documents with a length up to 3,048 mm (120 in.).

To scan documents longer than 863 mm (34 in.), set the resolution to 200 dpi or lower.

\*2: Note that this is the hardware limitation, and the software's processing time such as data transfer time is added to the actual time of scanning.

\*3: The capacity varies depending on the paper weight. For details, refer to ["2.2 Documents for Scanning" \(page 30\)](#).

\*4: Use the included USB cable.

When connecting to a USB hub, be sure to use a USB hub that is connected to a USB port on the computer.

Connection with USB 2.0 requires the USB port and the hub to support USB 2.0. Also note that the scanning speed slows down when using USB 1.1.

Connect the USB cable with the USB logo facing up.



## A.2 Installation Specifications

Item		Specification
Outer dimensions (W × D × H) (*1)		298 × 135 × 133 mm
Installation space (W × D × H) (*2)		400 × 670 × 380 mm
Weight		2.5 kg
Input power	Voltage range	AC 100 to 240 V±10%
	Phase	Single phase
	Frequency range	50/60±3 Hz
Power consumption	Operation	18 W or less
	Power saving	1.6 W or less
	Power OFF	0.3 W or less
Ambient condition	Temperature	Operating: 5 to 35°C (41 to 95°F), Not operating: -20 to 60°C (-4 to 140°F)
	Humidity	Operating: 20 to 80%, Not operating: 10 to 90%
Calorific value	Operation	15.5 kcal/Hr or less
	Power saving	1.38 kcal/Hr or less
	Power OFF	0.26 kcal/Hr or less
Shipping weight (*3)		Approx. 4 kg
Consumable replacement cycle		100,000 sheets or one year
Durability		360,000 sheets

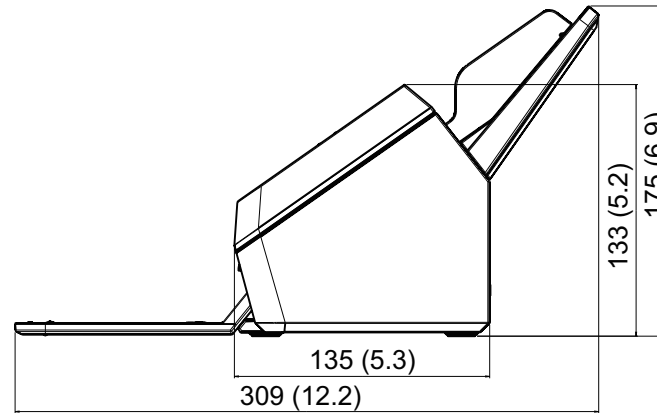
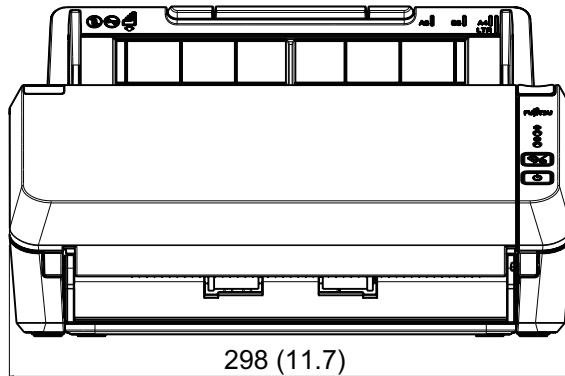
\*1: The depth excludes the ADF paper chute (feeder) and stacker.

\*2: The required installation space is a reference for scanning A4 size documents.

\*3: Includes the package weight.

## A.3 Outer Dimensions

The outer dimensions are as follows:



Unit: mm (in.)

[TOP](#)[Contents](#)[Index](#)[Introduction](#)[Scanner  
Overview](#)[How to Load  
Documents](#)[How to Use the  
Operator Panel](#)[Various Ways to  
Scan](#)[Daily Care](#)[Replacing the  
Consumables](#)[Troubleshooting](#)[Operational  
Settings](#)[Appendix](#)[Glossary](#)

## A.4 Uninstalling the Software

- 1 Turn on the computer, and log on as a user with administrator privileges.
- 2 Close all software running.
- 3 Display the [Control Panel] window.
  - Windows Server 2008/Windows 7  
Select [Start] menu → [Control Panel].
  - Windows Server 2012  
Right-click the Start screen, and select [All apps] on the app bar → [Control Panel] under [Windows System].
  - Windows Server 2012 R2/Windows 8.1  
Select [↓] on the lower left of the Start screen → [Control Panel] under [Windows System].  
To display [↓], move the mouse cursor.
  - Windows 10/Windows Server 2016/Windows Server 2019  
Click [Start] menu → [Windows System] → [Control Panel].
- 4 Select [Uninstall a Program].
 

⇒ The [Programs and Features] screen appears with a list of the currently installed software.
- 5 Select a software to uninstall.
  - PaperStream IP driver:
    - PaperStream IP (TWAIN) for SP Series
    - PaperStream IP (TWAIN x64) for SP Series
    - PaperStream IP (ISIS) for SP Series
  - Software Operation Panel:  
[Software Operation Panel]  
The Software Operation Panel is installed together with the PaperStream IP driver.
  - Error Recovery Guide:  
[Error Recovery Guide for SP Series]
  - PaperStream Capture Lite:  
[PaperStream Capture Lite]
  - ABBYY FineReader Sprint:  
[ABBYY FineReader XX Sprint]  
XX represents the version.
  - Presto! PageManager:  
[Presto! PageManager XX]  
XX represents the version.
  - Manuals:  
[SP Series manuals]
  - Scanner Central Admin Agent:  
[Scanner Central Admin Agent]
  - SP Series Online Update:  
[SP Series Online Update]
- 6 Click the [Uninstall] button or the [Uninstall/Change] button.
- 7 If a confirmation message appears, click the [OK] or [Yes] button.
 

⇒ The software is uninstalled.

TOP

Contents

Index

Introduction

Scanner  
OverviewHow to Load  
DocumentsHow to Use the  
Operator PanelVarious Ways to  
Scan

Daily Care

Replacing the  
Consumables

Troubleshooting

Operational  
Settings

Appendix

Glossary

# Customer Support

---

## Troubleshooting

---

For scanner related problems, such as paper jams, refer to "Chapter 7 Troubleshooting" (page 62) for solutions.

## Contact for Inquiries

---

For ABBYY FineReader Sprint, refer to the following web page:

<http://www.abbyy.com>

For Presto! PageManager, refer to the following web page:

<http://www.newsoftinc.com/support/index.php>

<http://uk.newsoft.eu.com/support/index.php>

For other inquiries regarding the scanner, refer to the following web page:

<http://imagescanner.fujitsu.com/sp.html>

If your problem cannot be solved after referring to the above web pages, visit the following web page to check the contact information of a suitable Fujitsu office and contact the Fujitsu office.

<https://www.fujitsu.com/global/about/resources/shop/computing/peripheral/scanners/index.html>

## Contact for Purchasing Consumables/Cleaning Materials

---

<https://www.fujitsu.com/global/support/products/computing/peripheral/scanners/contacts/fi-series-contact.html>

TOP

Contents

Index

Introduction

Scanner  
Overview

How to Load  
Documents

How to Use the  
Operator Panel

Various Ways to  
Scan

Daily Care

Replacing the  
Consumables

Troubleshooting

Operational  
Settings

Appendix

Glossary

# Glossary

## A

A4 size  
A5 size  
A6 size  
A7 size  
A8 size  
ADF (Automatic Document Feeder)  
Automatic skew/size detection

## B

Blank page skip  
Brake roller  
Brightness

## C

CCD (Charge-Coupled Device) image sensor

## D

Default setting  
Density  
Device errors  
Dither  
Document sensor

dpi (dots per inch)

Driver  
Dropout color  
Duplex scanning mode

## E

Edge extract  
Edge processing  
Eject roller  
Error diffusion

## F

Feed roller  
Filter

## G

Gamma  
Grayscale

## H

Halftone

## I

Image processing  
Interface  
Inversion

ISIS

## L

Landscape  
Letter size

## M

Moire patterns  
Multi image output  
Multifeed

## N

Noise removal

## O

OCR (Optical Character Recognition)  
Operating environment  
Operator panel  
Overscan

## P

Paper jam  
Pick roller  
Pick start time  
Pixel  
Portrait

Pre-pick

## R

Resolution

## S

Simplex scanning mode  
Smoothing

## T

Temporary error  
Threshold  
TWAIN

## U

Ultrasonic sensor  
USB

## W

White reference sheet

TOP

Contents

Index

Introduction

Scanner  
Overview

How to Load  
Documents

How to Use the  
Operator Panel

Various Ways to  
Scan

Daily Care

Replacing the  
Consumables

Troubleshooting

Operational  
Settings

Appendix

Glossary

## A

---

### **A4 size**

A standard paper size which is 210 × 297 mm (8.27 × 11.7 in.).

### **A5 size**

A standard paper size which is 148 × 210 mm (5.83 × 8.27 in.).

### **A6 size**

A standard paper size which is 105 × 148 mm (4.13 × 5.83 in.).

### **A7 size**

A standard paper size which is 74 × 105 mm (2.91 × 4.13 in.).

### **A8 size**

A standard paper size which is 52 × 74 mm (2.05 × 2.91 in.).

### **ADF (Automatic Document Feeder)**

A paper feeding mechanism which allows multiple sheets of documents to be scanned one sheet at a time.

### **Automatic skew/size detection**

End of Page Detection:

Detects the end of the page and scans the length of the document.

Automatic Page Size Detection:

Detects the paper size and outputs the image data in the same size.

## B

---

### **Blank page skip**

A function that detects and automatically deletes blank (white or black) pages in a batch of documents.

### **Brake roller**

A roller that prevents more than one sheet of documents to be fed into the ADF at once.

**Brightness**

Refers to the brightness of a scanned image.

**C**

---

**CCD (Charge-Coupled Device) image sensor**

A sensor which perceives the light reflected from the document and converts it into digital form. CCD technology is the basis of high quality image acquisition in scanners, cameras and other devices.

**D**

---

**Default setting**

(Hardware)

Preset values from the factory.

(Software)

Values set upon installation of software.

**Density**

Refers to the deepness of a color in an image.

**Device errors**

Errors that require troubleshooting by a service engineer.

**Dither**

The process by which a group of dots is arranged to reproduce the density of grayscale. Grayscale density is reproduced by configuring preset dot patterns. This method requires less memory compared to multilevel gray.

**Document sensor**

A sensor that detects changes in the amount of light transmitted through a document. Paper feeding errors such as multifeeds and paper jams are detected by monitoring the passing of documents.

**dpi (dots per inch)**

A measurement of resolution that is used for scanners and printers. A higher dpi indicates a higher resolution.

**Driver**

A program specifically designed for operating systems, which enables interaction with a hardware device.

**Dropout color**

A function which removes a specified color from a scanned image.

**Duplex scanning mode**

A mode for scanning both sides of the document at once. (⇔ Simplex scanning mode)

**E**

---

**Edge extract**

A function that traces the boundaries between white and black areas to extract contours.

**Edge processing**

A function which decreases the density of bright colors (except for white) around black areas. Increasing the value for this function removes dotted image noise and also produces "softened" images.

**Eject roller**

Rollers that feed documents from the ADF onto the stacker.

**Error diffusion**

Method of halftone (pseudo-grayscale) image processing which is based on black & white pixel binarization. It sums the optical density of a pixel and its adjacent pixels, then relocates black pixels in the order of density to minimize the difference between scanned and output images. By diffusing the errors onto other pixels, the density data of adjacent pixels can be binarized. This function suppresses moire patterns of dotted halftone images such as newspapers, and reproduces its grayscale gradation.

**F**

---

**Feed roller**

A roller that feeds a document through the ADF.



### **Filter**

A function that executes filtering processing on a scanned image. The following types of filters are available:

Digital Endorser:

Adds alphanumeric character strings on the scanned image data.

Edge Filler:

Fills in the margins of the scanned image in a specified color.

## **G**

---

### **Gamma**

A unit which indicates the changes in the brightness of an image. It is expressed as a function of the electric input power to devices (e.g. scanner, display) and the brightness of the image. If the gamma rate is larger than 1, the brightness of an image increases and vice versa. To reproduce the brightness of a document as the same as the brightness of the actual document, set the gamma rate to 1.

### **Grayscale**

A method that expresses the gradation (density) from black to white in 256 levels. Suitable for scanning images such as photographs.

## **H**

---

### **Halftone**

Reproduces the color density in black & white by using dot patterns. This method is effective for scanning images such as photographs in black & white.

## **I**

---

### **Image processing**

Refers to processing and outputting the scanned image via specified scan parameters.

**Interface**

The connection that allows communication between the computer and the scanner.

**Inversion**

A scanning method in which the black part and the white part of the image are inverted.

**ISIS**

ISIS (Image Scanner Interface Specification) is an API (Application Program Interface) standard for imaging devices (e.g. scanners, digital cameras) which was developed by Captiva, a division of EMC Corporation (the former Pixel Translations) in 1990. In order to use devices that comply with this standard, it is necessary to install a driver software that supports ISIS standard.

**L**

---

**Landscape**

Orientation in which the short side of the document is set parallel to the feed direction.

**Letter size**

A standard paper size used in the United States and other countries (8.5 × 11 in.).

**M**

---

**Moire patterns**

Recurrent patterns on scanned images caused by incorrect settings of angles.

**Multi image output**

A function which outputs an image in both color/grayscale and black & white at once.

**Multifeed**

Multifeed is an error when two or more sheets are fed in the ADF at once.

**N**

---

**Noise removal**

A function which improves the quality of an image by removing isolated noise that appear as black dots in a white area (or vice versa).

## O

---

### **OCR (Optical Character Recognition)**

A device or a technology that recognizes the text on documents and converts them into text data that can be edited. The shape of the characters are recognized by the differences in the light reflected from the documents.

### **Operating environment**

Conditions (e.g. temperature, humidity) required to operate or store the scanner.

### **Operator panel**

A panel that consists of a display and buttons. It is used for scanner operations such as selecting functions and changing settings.

### **Overscan**

A function that scans the document in a size larger than the specified paper size.

## P

---

### **Paper jam**

Refers to an error in which a document is jammed inside the paper path or feeding is interrupted by documents slipping.

### **Pick roller**

A roller which picks up one sheet off of documents loaded in the ADF paper chute (feeder), and feeds the document into the ADF.

### **Pick start time**

A time period for a loaded document from the point of passing the hopper empty sensor to being picked.

### **Pixel**

The dots that make up a scanned image.

### **Portrait**

Orientation in which the long side of the document is set parallel to the feed direction. Documents/images are set/displayed vertically.

**Pre-pick**

Refers to feeding a document in a position to start scanning.

It shortens the interval between setting the document and feeding the document to the starting position.

**R**

---

**Resolution**

A measurement to indicate the quality (fineness) of an image. Resolution is displayed by the number of pixels per inch.

Since image data is a collection of small dots (pixels), if the same image contains different amount of pixels, the one with more pixels can express greater details. Therefore, the higher the resolution is, the finer the image becomes.

**S**

---

**Simplex scanning mode**

A mode for scanning only one side (front or back) of a document. (⇔ Duplex scanning mode)

**Smoothing**

Refers to the removal of irregularities on diagonal lines and curves, which is a processing method commonly used in OCR applications.

**T**

---

**Temporary error**

An error that can be fixed by the user.

**Threshold**

The value which is used to determine whether a certain color is black or white. Threshold value must be configured in order to scan images with grayscale gradation. Each pixel is converted into black or white according to the specified value.

**TWAIN**

TWAIN (Technology Without Any Interesting Name) is an API (Application Program Interface) standard for imaging devices (e.g. scanners, digital cameras) developed by TWAIN Working Group. In order to use devices that comply with this standard, it is necessary to install a driver software that supports TWAIN standard.

## U

---

### **Ultrasonic sensor**

A sensor that detects multifeed errors by ultrasonic soundwave. It detects multifeeds by monitoring the difference in the amount of ultrasonic waves transmitted through the documents.

## USB

USB (Universal Serial Bus) is a standard for interfaces used to connect devices such as keyboards and scanners. Up to 127 devices can be connected by this interface. It can be connected and disconnected without powering off the devices. For USB 2.0, the data transfer rate is 1.5 Mbps in Low-Speed, 12 Mbps in Full-Speed, and a maximum of 480 Mbps in Hi-Speed mode.

## W

---

### **White reference sheet**

The white part located inside the ADF that the scanner defines as white, in order to adjust the brightness of all other areas accordingly.

TOP

Contents

Index

Introduction

Scanner  
Overview

How to Load  
Documents

How to Use the  
Operator Panel

Various Ways to  
Scan

Daily Care

Replacing the  
Consumables

Troubleshooting

Operational  
Settings

Appendix

Glossary

# Index

<b>A</b>	
ADF paper chute (feeder) setup .....	18
Advanced Scanning.....	46
<b>B</b>	
basic flow of scanning operation .....	22
before you contact the scanner service provider.....	82
bundled software .....	24
<b>C</b>	
cleaning ADF (Cleaning Paper).....	52
cleaning ADF (cloth).....	53
cleaning inside.....	52
cleaning materials.....	49
cleaning outside.....	51
conditions for mixed batch scanning .....	35
configuration items .....	94
consumables .....	58
contact.....	105
conventions .....	5
<b>D</b>	
daily care .....	48
documents for scanning .....	30
documents of different types and sizes .....	43
<b>E</b>	
error indications .....	65
<b>H</b>	
how to close the ADF .....	17
how to load documents .....	27, 29
how to open the ADF.....	17
how to use the operator panel.....	38
how to use this manual.....	2
<b>I</b>	
installation specifications.....	102
introduction.....	3
<b>L</b>	
loading documents .....	28
locations that require cleaning.....	49
<b>M</b>	
main features.....	12
<b>O</b>	
operational settings .....	85
operator panel .....	39
outer dimensions .....	103
<b>P</b>	
paper jam .....	63
parts and functions.....	13
power saving mode .....	21
product label.....	84

TOP

Contents

Index

Introduction

Scanner  
OverviewHow to Load  
DocumentsHow to Use the  
Operator PanelVarious Ways to  
Scan

Daily Care

Replacing the  
Consumables

Troubleshooting

Operational  
Settings

Appendix

Glossary

**R**

replacement cycles .....	58
replacing consumables .....	57
replacing roller set .....	59

**S**

scan/stop button .....	46
scanner features .....	12
scanner overview .....	11
settings related to sheet counters .....	96
settings related to waiting time .....	98
Software Operation Panel password .....	88
specifications .....	100
stacker setup .....	19
starting Software Operation Panel .....	86

**T**

troubleshooting .....	62
troubleshooting problems .....	68
turning off the power .....	16
turning on the power .....	16

**U**

uninstalling software .....	104
-----------------------------	-----

**V**

various ways to scan .....	41
----------------------------	----

**W**

ways of scanning .....	42
------------------------	----

TOP

Contents

Index

Introduction

Scanner  
OverviewHow to Load  
DocumentsHow to Use the  
Operator PanelVarious Ways to  
Scan

Daily Care

Replacing the  
Consumables

Troubleshooting

Operational  
Settings

Appendix

Glossary

---

TOP

Contents

Index

Introduction

Scanner  
Overview

How to Load  
Documents

How to Use the  
Operator Panel

Various Ways to  
Scan

Daily Care

Replacing the  
Consumables

Troubleshooting

Operational  
Settings

Appendix

Glossary

---

SP-1120/SP-1125/SP-1130 Image Scanner

Operator's Guide

P3PC-5332-03ENZ0

Issue Date: August 2019

Issued by: PFU Limited

---

- The contents of this manual are subject to change without notice.
- PFU Limited assumes no liability for incidental or consequential damages arising from the use of this product, and any claims by a third party.
- Copying of the contents of this manual, in whole or in part, as well as the scanner applications is prohibited under the copyright law.