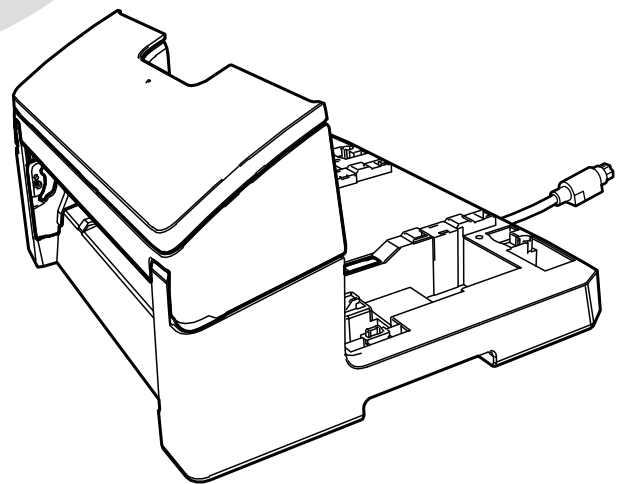


# fi-760PRB Imprinter

## Operator's Guide



# Contents

---

Introduction.....	2
Chapter 1 Preparations.....	4
1.1 Checking the Package Contents.....	4
1.2 Names of Component Parts.....	4
Chapter 2 Installation.....	6
2.1 Installing the Imprinter.....	6
2.2 Loading the Print Cartridge.....	8
2.3 Test Print.....	10
Chapter 3 Basic Operation.....	12
3.1 Setting the Print Position.....	12
3.2 Using the Paper Guides.....	12
3.3 Print Setup.....	14
3.4 Replacing the Print Cartridge.....	14
3.5 Removing Jammed Documents.....	16
Chapter 4 Daily Care.....	18
4.1 Cleaning the Print Cartridge.....	18
4.2 Cleaning the Imprinter.....	18
4.3 Cleaning the Rollers.....	19
4.4 Cleaning Materials.....	19
Chapter 5 Error Messages.....	20
Chapter 6 Specifications.....	21
Contact for Inquiries.....	23

# Introduction

Thank you for your purchase of the fi-760PRB Imprinter. The fi-760PRB Imprinter is an optional unit to be used with the fi-7600 image scanner.

This manual explains installation and connection, basic operations, and regular maintenance of the fi-760PRB Imprinter. Use the product correctly according to this manual.

For how to use the fi-7600 image scanner, refer to "fi-7600/fi-7700/fi-7700S Image Scanner Operator's Guide" contained in the setup DVD-ROM included in the package.

We hope that this manual helps you make the most of the imprinter.

June 2017

## Safety Information

The "Safety Precautions" manual that is supplied with the scanner contains important information about the safety and the correct way of using this product. Make sure that you read and understand it before using this product.

## Manufacturer

PFU Limited  
YOKOHAMA i-MARK PLACE, 4-4-5 Minatomirai,  
Nishi-ku, Yokohama, Kanagawa, 220-8567, Japan  
© PFU Limited 2017

## Trademarks

Microsoft, Windows, and Windows Server are either registered trademarks or trademarks of Microsoft Corporation in the United States and/or other countries. PaperStream is a registered trademark of PFU Limited in Japan.

Other company names and product names are the registered trademarks or trademarks of the respective companies.

## Abbreviations Used in This Manual

The operating systems and products in this manual are indicated as follows.

Name	Indication
Windows Server® 2008 Standard (32-bit/64-bit)	Windows Server 2008 (*1)
Windows Server® 2008 R2 Standard (64-bit)	
Windows® 7 Home Premium (32-bit/64-bit)	Windows 7 (*1)
Windows® 7 Professional (32-bit/64-bit)	
Windows® 7 Enterprise (32-bit/64-bit)	
Windows® 7 Ultimate (32-bit/64-bit)	
Windows Server® 2012 Standard (64-bit)	Windows Server 2012 (*1)
Windows Server® 2012 R2 Standard (64-bit)	Windows Server 2012 R2 (*1)
Windows® 8.1 (32-bit/64-bit)	Windows 8.1 (*1)
Windows® 8.1 Pro (32-bit/64-bit)	
Windows® 8.1 Enterprise (32-bit/64-bit)	
Windows® 10 Home (32-bit/64-bit)	Windows 10 (*1)
Windows® 10 Pro (32-bit/64-bit)	
Windows® 10 Enterprise (32-bit/64-bit)	
Windows® 10 Education (32-bit/64-bit)	
Windows Server® 2016 Standard (64-bit)	Windows Server 2016 (*1)
PaperStream IP (TWAIN) PaperStream IP (TWAIN ×64) PaperStream IP (ISIS) Bundle	PaperStream IP driver
fi-760PRB Imprinter	imprinter
fi-7600 image scanner	scanner
fi-7600/fi-7700/fi-7700S Image Scanner Operator's Guide	Operator's Guide

\*1: Where there is no distinction between the different versions of the above operating system, the general term "Windows" is used.

---

## **Arrow Symbols in This Manual**

Right-arrow symbols (→) are used to separate icons or menu options you should select in succession. Click [Start] menu → [Control Panel].

---

## **Screen Examples in This Manual**

Microsoft product screenshots are reprinted with permission from Microsoft Corporation.

The screen examples in this manual are subject to change without notice in the interest of product development.

If the actual displayed screen differs from the screen examples in this manual, operate by following the actual displayed screen while referring to the user's manual of the scanner application that you are using.

The screen examples used in this manual are of the PaperStream IP driver.

The screenshots used in this manual are of Windows 7.

The actual windows and operations may differ depending on the operating system. Also note that with some scanner models, the screens and operations may differ from this manual when you update the PaperStream IP driver. In that case, refer to the manual provided upon updating the driver.

# Chapter 1 Preparations

## 1.1 Checking the Package Contents

Check the package contents list that is included in the imprinter package box to make sure that all items are included in the package.

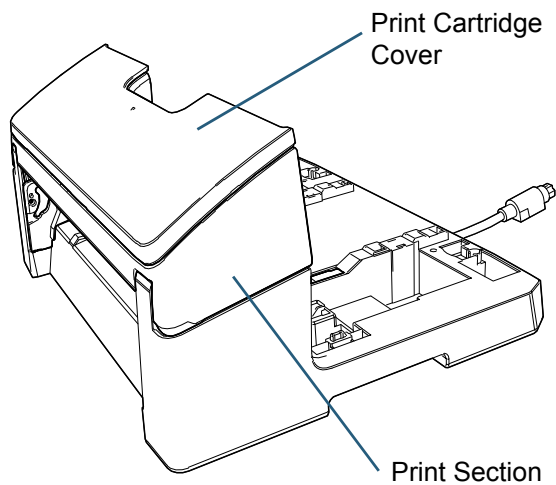
If anything is missing or damaged, contact your FUJITSU scanner dealer or an authorized FUJITSU scanner service provider.

Use this product and accessories carefully.

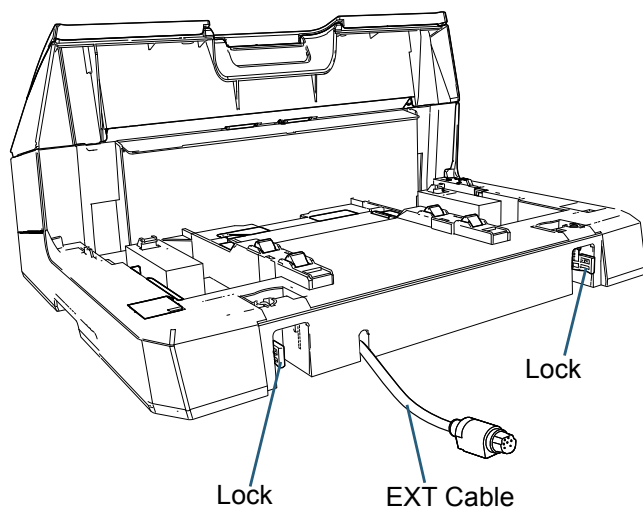
## 1.2 Names of Component Parts

### ■ Imprinter Unit

Front



Back

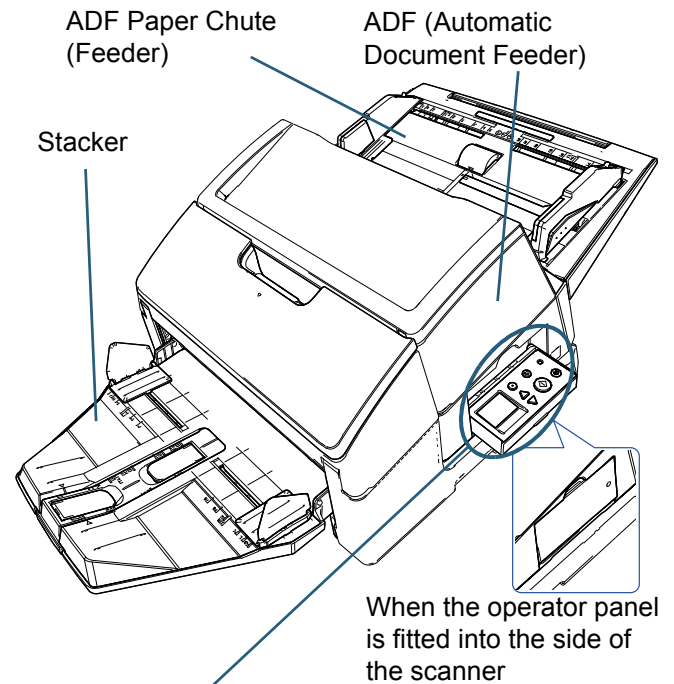


### ■ Attachment Guide



### ■ Imprinter with Scanner

Front

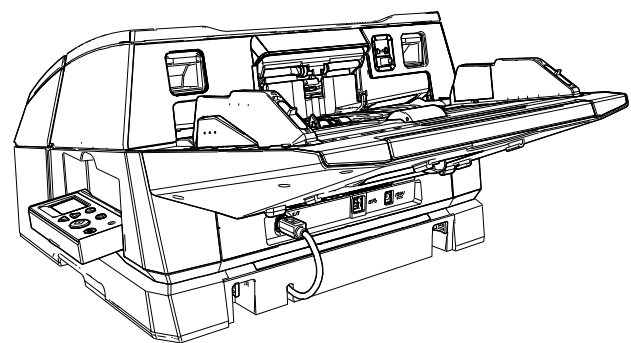


Operator Panel

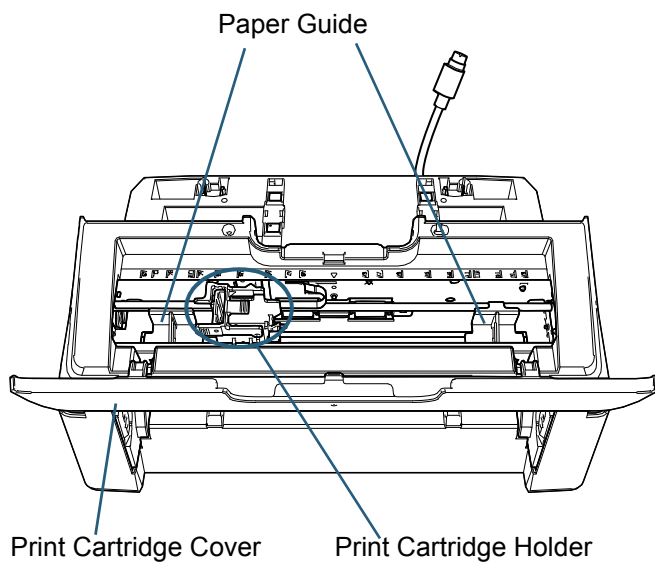
The scanner has an operator panel on each side.

- LCD
- [Menu] Button
- [△] Button/[▽] Button
- [Stop/Clear] Button
- [Scan/Enter] Button
- [Power] Button

Back



■ Inside



# Chapter 2 Installation

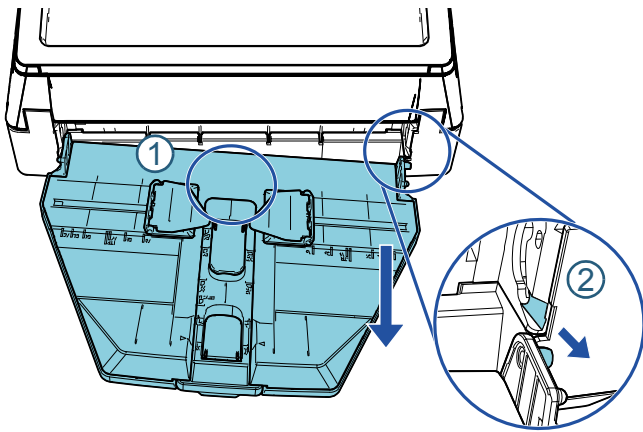
## 2.1 Installing the Imprinter

Install the imprinter as follows:

### ATTENTION

Do not move the scanner with the imprinter installed. The imprinter may be damaged.

- 1 Turn off the scanner power and disconnect the power cable.
- 2 Remove the stacker from the scanner.
  - 1 Check that the stacker is placed in the lower position. You can lower the position of the stacker by tilting it upwards a little.
  - 2 Hold the center (1) of the stacker and slightly bend it to remove the right side (2) of the stacker from the slot in the direction of the arrow.

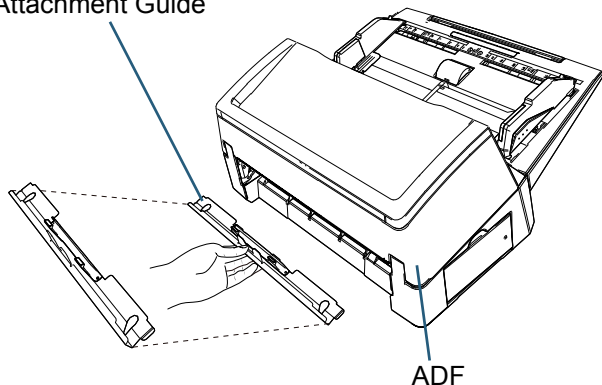


### ATTENTION

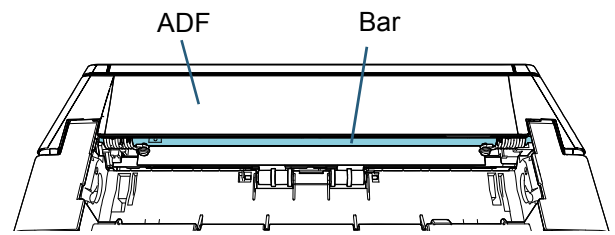
- You must remove the stacker before installing the imprinter.
- Do not pull forcibly, since this might damage the stacker.

- 3 Attach the attachment guide to the scanner.
  - 1 Make sure that the direction of the attachment guide is the same as direction shown in the following figure.

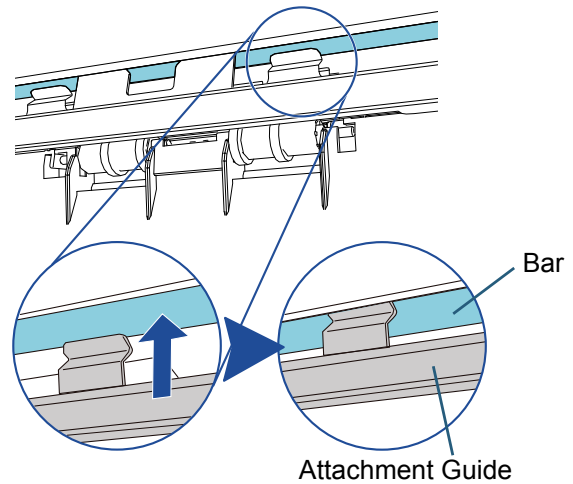
Attachment Guide



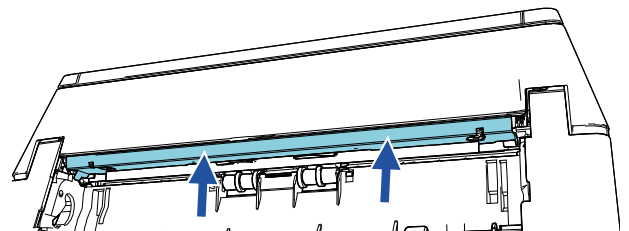
- 2 Look into the scanner from below to check the position of the bar.



- 3 Align the attachment guide with the bar.



- 4 Lift the attachment guide from underneath to attach it.

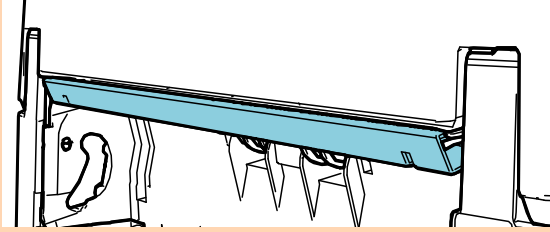


**ATTENTION**

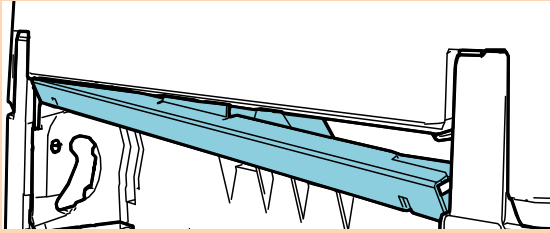
Confirm the following after attaching the attachment guide.

- The attachment guide is not tilted.
- The attachment guide is fitted in the scanner, and not overhanging.

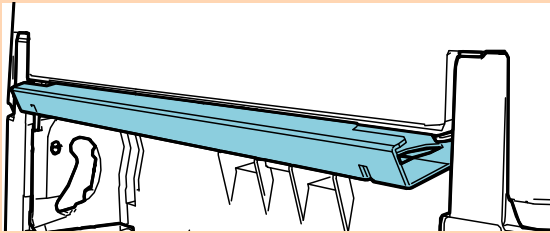
Good: The attachment guide is properly attached.



Bad: The attachment guide is tilted.



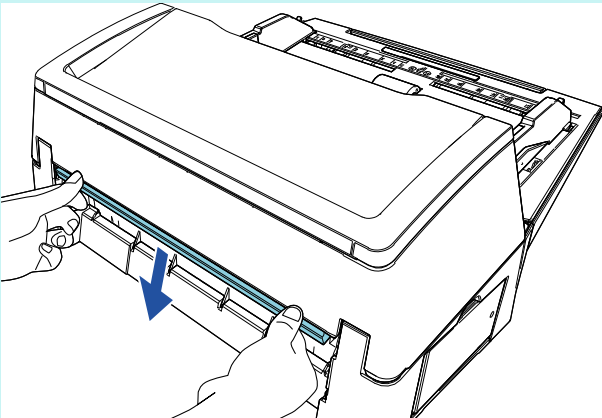
Bad: The attachment guide is overhanging.



**HINT**

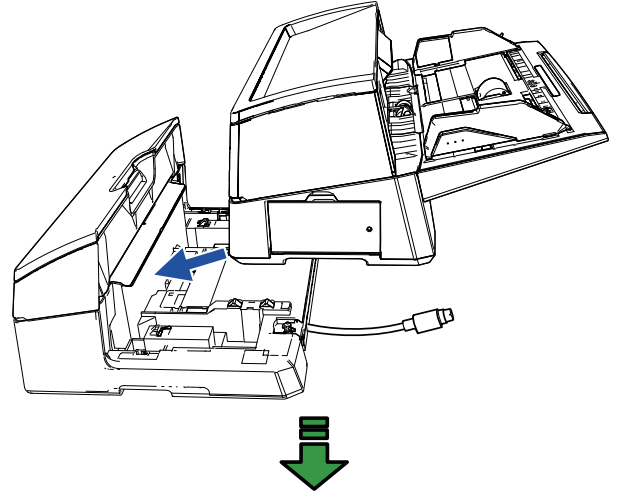
Removing the Attachment Guide

To remove the attachment guide, press your fingers against the attachment guide and slide it downward.

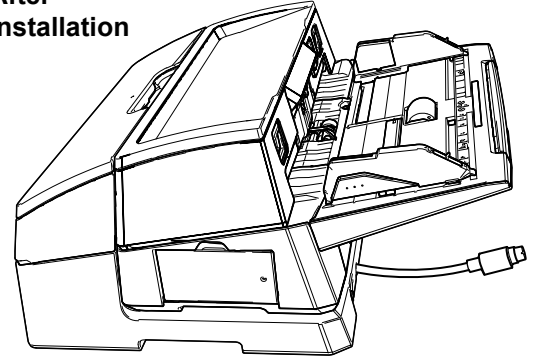


**4** Attach the scanner onto the imprinter.

Hold the scanner above the rear of the imprinter and gently lower it onto the base of the imprinter until it fits in place.



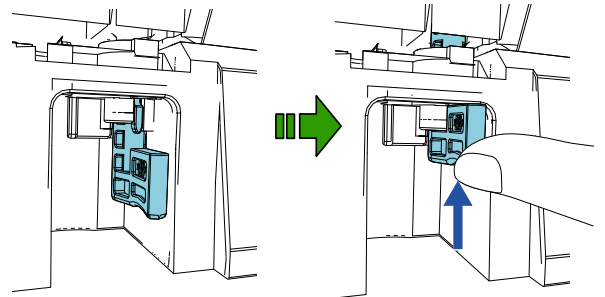
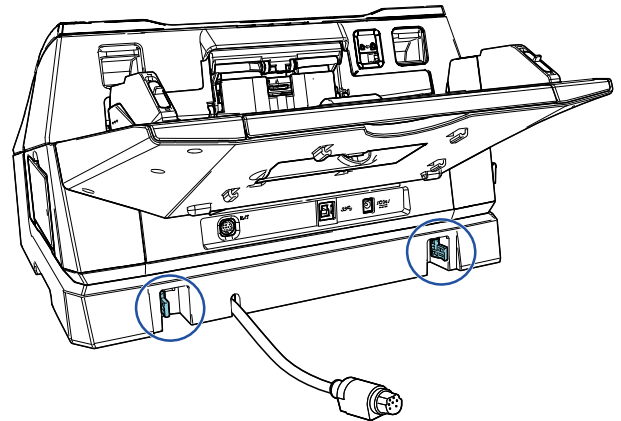
**After Installation**



**ATTENTION**

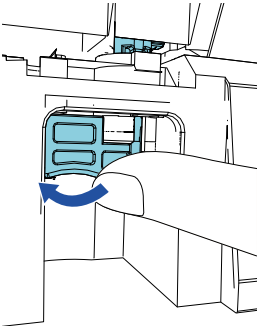
Be careful not to get your fingers caught.

**5** Raise the locks (two locks on the back side).

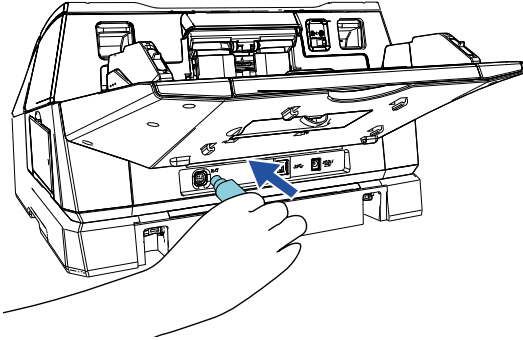




- 6** Turn the locks inside (two locks on the back side).



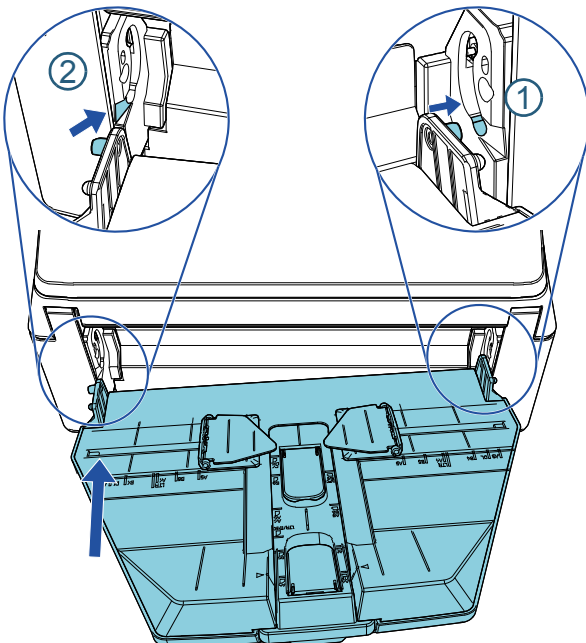
- 7** Connect the EXT cable to the connector on the back of the scanner.



**ATTENTION**

The imprinter will not work if the EXT cable is not connected to the scanner. Scanning when the EXT cable is not connected can cause documents to jam inside the imprinter.

- 8** Install the stacker removed from the scanner (in procedure 2) to the imprinter. Insert the protrusion on the right side of the stacker into the slot ① and then push the left side of the stacker along the slot ② in the direction of the arrow.



- 9** Connect the power cable to the scanner.

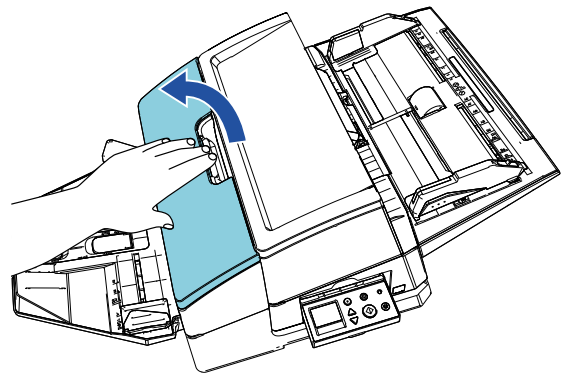
## 2.2 Loading the Print Cartridge

Load the print cartridge as follows:

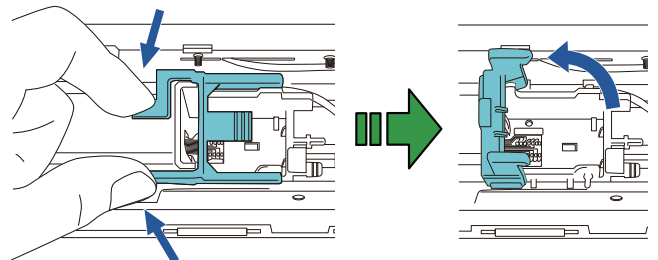
**ATTENTION**

- When installing the print cartridge, install it properly.
- When you do not use the imprinter for a long time, remove the print cartridge from the imprinter. Ink will be consumed every time the scanner is powered-on even if printing is not done.

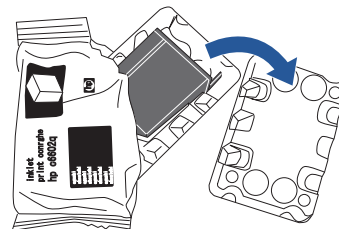
- 1** Turn off the scanner.  
**2** Place your hand in the middle part of the print cartridge and open it as shown below.



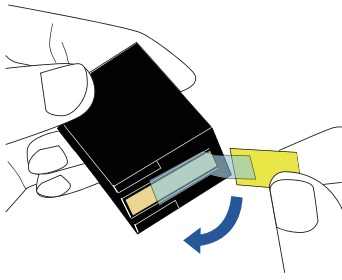
- 3** Remove the tape that holds the print cartridge holder and the paper guides.  
**4** Lift the print cartridge holder by pinching the lever with your fingers as shown below.



- 5** Take out the print cartridge from the bag.



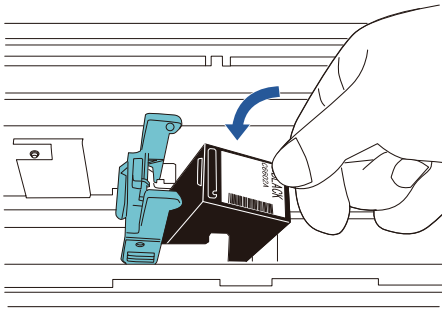
- 6** Remove the protection tape on the print cartridge.



**ATTENTION**

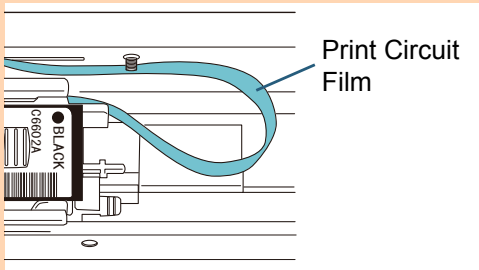
Do not touch the metal part of the print cartridge nor put the tape back again.

- 7** With the tab on the print cartridge facing right, put the print cartridge into the holder.

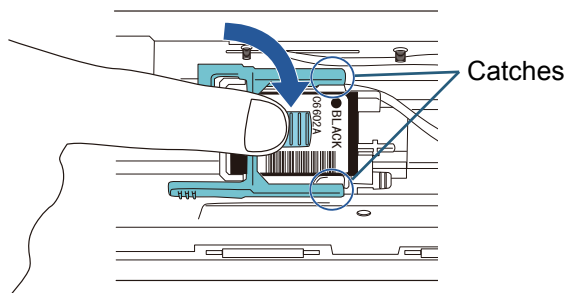


**ATTENTION**

Be careful not to let the print cartridge catch the print circuit film to avoid damaging the film.

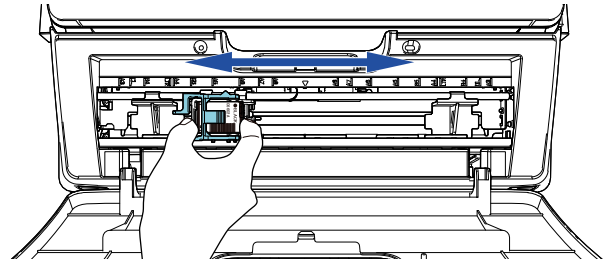


- 8** Bring down the arm of the print cartridge holder down gently until it locks in and set the print cartridge in place.  
Make sure that the catches (both sides) on the arm latch onto the print cartridge firmly.

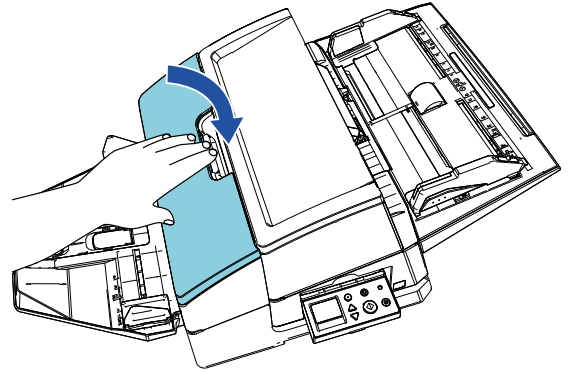


- 9** Move the print cartridge to an appropriate printing position.

The print cartridge should be positioned within the section where the document will pass through.



- 10** Close the print cartridge cover.



## 2.3 Test Print

After loading the print cartridge, check if the printing operation works normally.

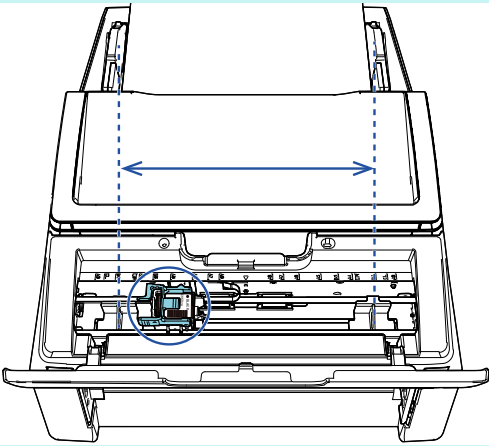
### HINT

For details about the operator panel, refer to the Operator's Guide provided with the scanner.

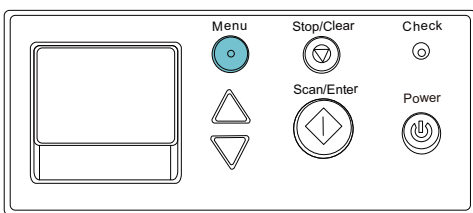
- 1 Push the [Power] button of the operator panel of the scanner.  
⇒ The [Ready] screen is shown on the LCD.
- 2 Load a blank document in the scanner.

### HINT

- Use A3 or Double Letter size blank paper. If the paper size is smaller, printing may not be completed successfully.
- Confirm that the print cartridge is positioned within the document width.



- 3 Press the [Menu] button.



⇒ The [Settings Menu] screen is shown on the LCD.

- 4 Select [3: Test Print] by pressing the [△] button or the [▽] button, and confirm the selection by pressing the [Scan/Enter] button.  
⇒ The [No. of Sheets Scanned] screen is shown on the LCD.

### ATTENTION

If the Imprinter is disconnected or not connected properly, [Cannot use this function because the Imprinter is not connected.] is shown on the LCD.

- 5 Select [1: Single Sheet Only] or [2: Multiple Sheets] by pressing the [△] button or the [▽] button, and then confirm the selection by pressing the [Scan/Enter] button.

When [2: Multiple Sheets] is selected, printing is performed for all sheets set in the scanner.

⇒ The [Print Pattern] screen is shown on the LCD.

- 6 Select a print pattern by pressing the [△] button or the [▽] button, and then confirm the selection by pressing the [Scan/Enter] button.

### HINT

Below are the print test patterns:

#### Test Pattern 1 (Horizontal):

ABCDEFGHIJKLMNOPQRSTUVWXYZ[¥]^`00000000

#### Test Pattern 2 (Horizontal):

abcdefghijklmnopqrstuvwxyz{|}~00000000

#### Test Pattern 3 (Horizontal):

!"#\$%&'()\*+,-./0123456789:;<=>?@00000000

#### Test Pattern 4 (Vertical):

ABCDEFGHIJKLMNOPQRSTUVWXYZ[¥]^`00000000

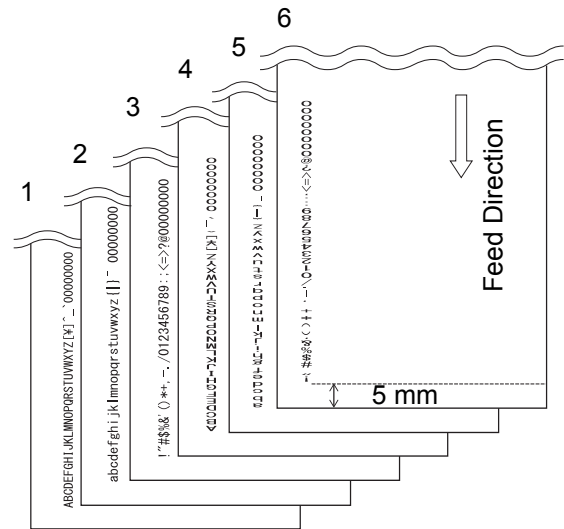
#### Test Pattern 5 (Vertical):

abcdefghijklmnopqrstuvwxyz{|}~00000000

#### Test Pattern 6 (Vertical):

!"#\$%&'()\*+,-./0123456789:;<=>?@00000000

The numbering section "00000000" increases in increments of one, starting from 0 (zero).



Test Pattern Print Sample

⇒ The [Test Print] screen is shown on the LCD.

- 
- 7** Select [1: Yes] by pressing the [ $\Delta$ ] button or the [ $\nabla$ ] button, and then confirm the selection by pressing the [Scan/Enter] button.
- ⇒ The blank sheet is fed into the scanner, and the imprinter will print out a print test pattern leaving a 5 mm gap (with an allowance of 4 mm inwards or outwards) from the edge of the document.
- 8** To finish the print test, press the [Power] button on the operator panel of the scanner to turn off the power of the scanner.

**ATTENTION**

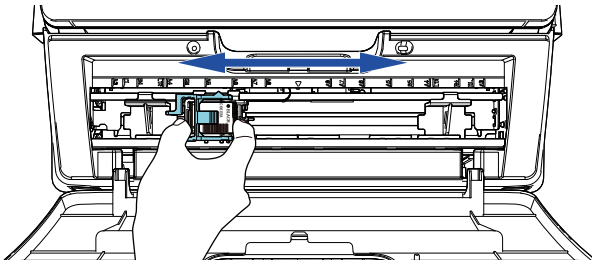
Do not move the imprinter or give it a jolt while printing. Printing may be out of order.

# Chapter 3 Basic Operation

## 3.1 Setting the Print Position

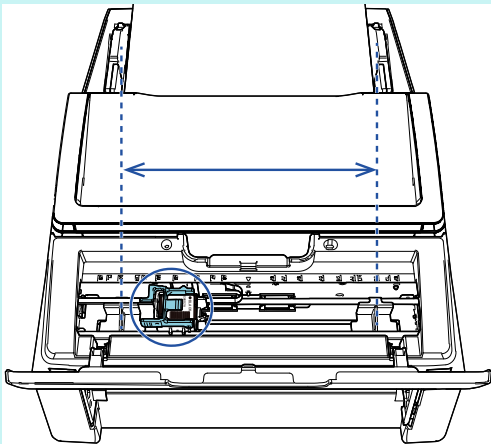
Set the print position in the following steps:

- 1 Open the print cartridge cover.
- 2 Move the print cartridge to an appropriate printing position.  
Hold the print cartridge as below, and slide it to the left or right within the document width to set it at a suitable print starting position.



### HINT

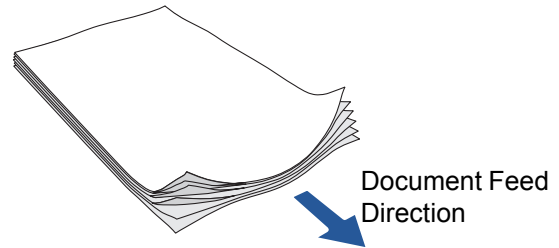
- The triangle-shaped protrusion on the print cartridge holder indicates the print head. Use the protrusion as a guide for the print position.
- You can find the document size markings on the imprinter above the print cartridge. Use the markings as a guide for the document width.
- Load the actual document in the scanner and make sure that the print cartridge is positioned within the width of document.



- 3 Close the print cartridge cover.

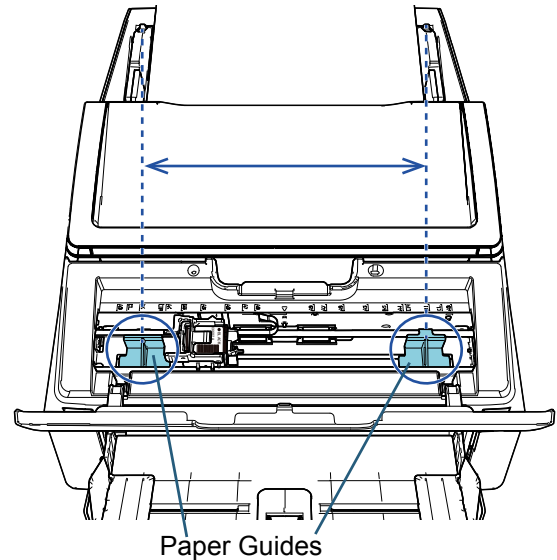
## 3.2 Using the Paper Guides

When documents have curled edges like below, use the paper guides to prevent paper jams.



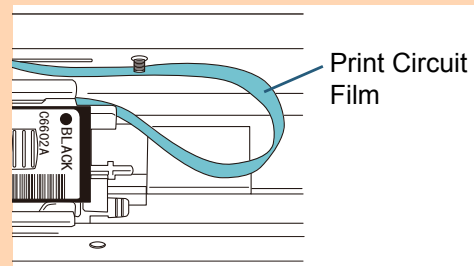
Move the paper guides to the positions where the edges of documents pass through in the following steps:

- 1 Load documents in the scanner.
- 2 Open the print cartridge cover.
- 3 Slide the paper guides and align them with the edges of the document.



### ATTENTION

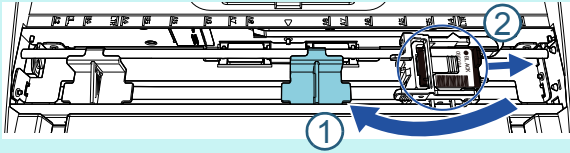
Be careful not to let the paper guides come into contact with the print circuit film to avoid damaging the film.



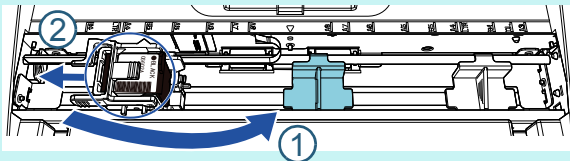
## HINT

When you want to perform a print on the left or right margin of a wide document, the paper guide may get in the way. In this case, remove the paper guide and attach it to a place near the center where space is available (①). After that, move the print cartridge to the left or right margin (②).

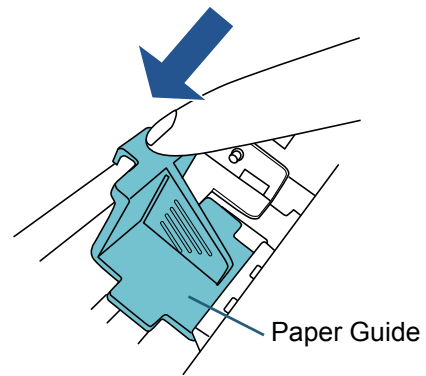
- When the print position is on the right margin



- When the print position is on the left margin

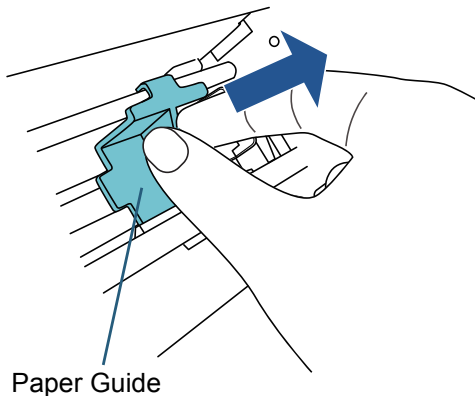


- 2 Push the head of the paper guide until it fits in well.



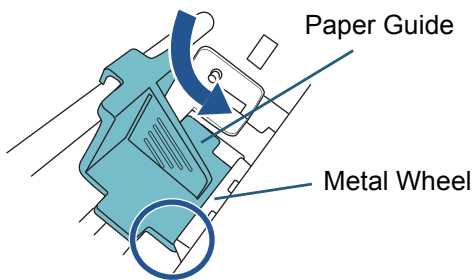
## ■ Removing the Paper Guides

To remove the paper guides, pinch the paper guide with your fingers and pull it out as shown below.



## ■ Attaching the Paper Guides

- 1 Place the paper guide as shown in the figure below. Make sure that the paper guide is under the metal wheel.

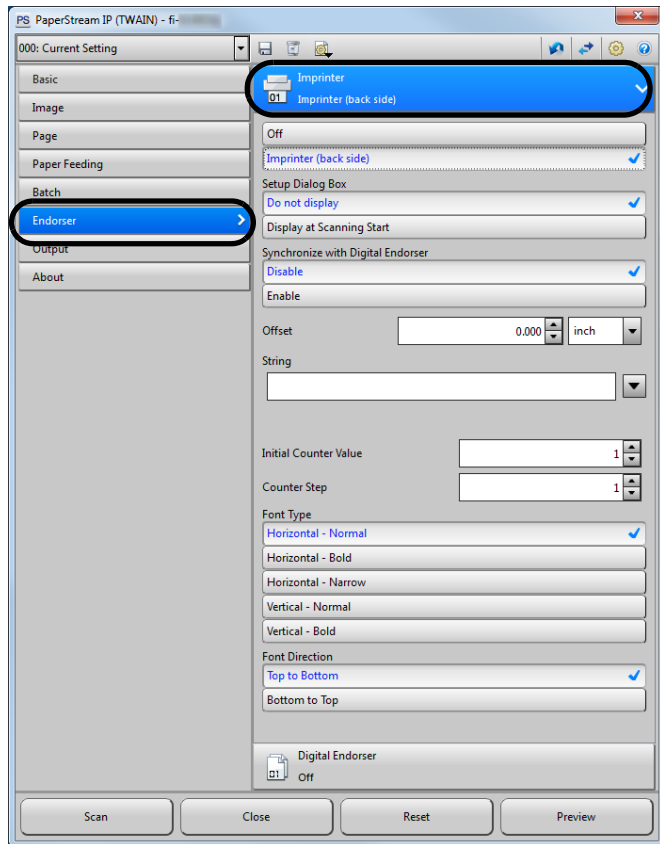


### 3.3 Print Setup

You can configure settings for the imprinter by using the scanner driver's setup window.

#### ■ PaperStream IP (TWAIN) (Example)

Display the Normal dialog and configure the settings in [Imprinter] of [Endorser].



#### HINT

The following items can be specified. For details, refer to the help of the PaperStream IP driver.

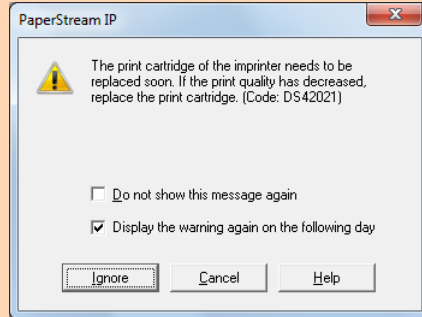
- Imprinter status (on or off)
- Whether or not the setup dialog box is displayed
- Whether the PaperStream IP driver is synchronized with the Digital Endorser
- Printing settings (such as font type, direction, the print starting position, character strings to be printed, and initial, increased and decreased values for the counter)

### 3.4 Replacing the Print Cartridge

The print cartridge is a consumable. Replace the print cartridge as follows:

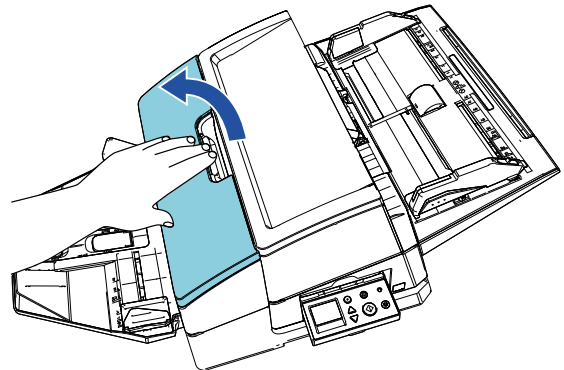
#### ATTENTION

- When the following message appears, replace the print cartridge as soon as possible. If you continue to print without replacing the cartridge, your print output will be faded.

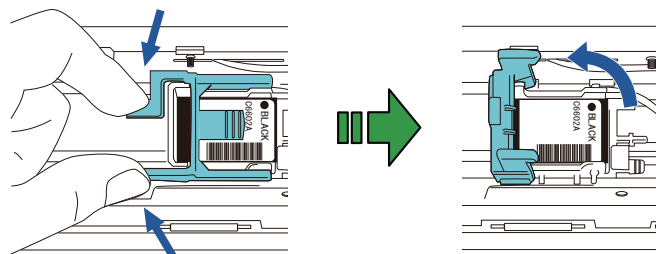


- When replacing the print cartridge, make sure it is installed properly.

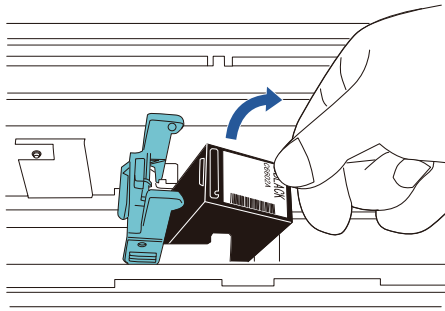
- 1 Turn off the scanner.
- 2 Place your hand in the middle part of the print cartridge and open it as shown below.



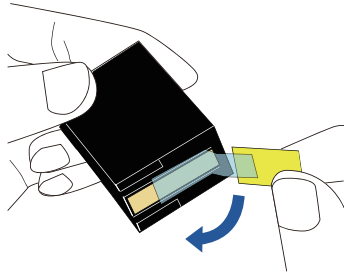
- 3 Lift the print cartridge holder by pinching the lever with your fingers as shown below.



- 4** Remove the old print cartridge.



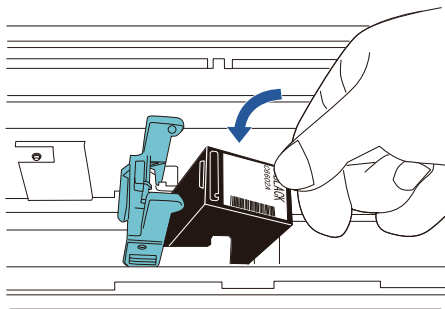
- 5** Remove the protection tape on the new print cartridge.



**ATTENTION**

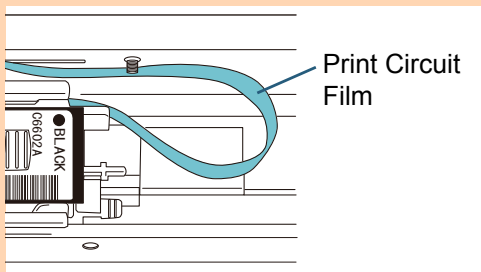
Do not touch the metal part of the print cartridge nor put the tape back again.

- 6** With the tab on the print cartridge facing right, put the print cartridge into the holder.



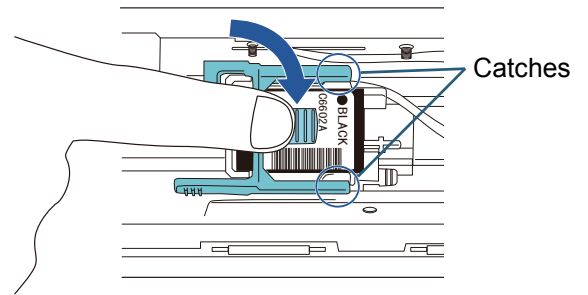
**ATTENTION**

Be careful not to let the print cartridge catch the print circuit film to avoid damaging the film.



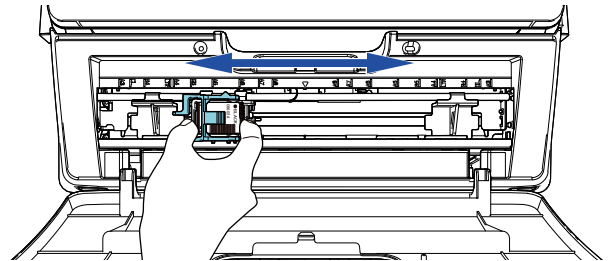
- 7** Bring down the arm of the print cartridge holder down gently until it locks in and set the print cartridge in place.

Make sure that the catches (both sides) on the arm latch onto the print cartridge firmly.



- 8** Move the print cartridge to an appropriate printing position.

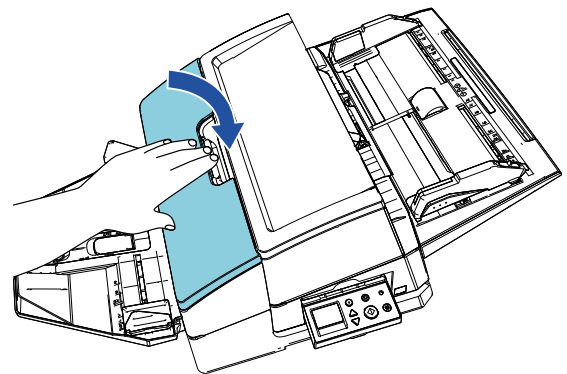
The print cartridge should be positioned within the section where the document will pass through.



**ATTENTION**

Depending on the position of the print cartridge, printing may not fit within the document when printing close to the document edge.

- 9** Close the print cartridge cover.



- 10** Turn on the scanner.

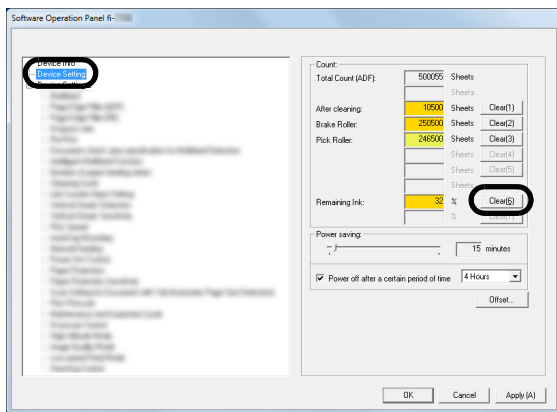


## 11 Reset the ink counter in the following procedure.

### ATTENTION

Be sure to reset the ink counter after replacing the print cartridge.

- 1 Display the [Software Operation Panel] window.  
**Windows Server 2008/Windows 7**  
Click [Start] menu → [All Programs] → [fi Series] → [Software Operation Panel].  
**Windows Server 2012**  
Right-click the Start screen, and select [All apps] on the app bar → [Software Operation Panel] under [fi Series].  
**Windows Server 2012 R2/Windows 8.1**  
Click [↓] on the lower left side of the Start screen and select [Software Operation Panel] under [fi Series]. To display [↓], move the mouse cursor.  
**Windows 10/Windows Server 2016**  
Click [Start] menu → [fi Series] → [Software Operation Panel].
- 2 Click [Device Setting] from the list on the left, and then click the [Clear] button of [Remaining Ink].



⇒ The value of the counter is set to 100.

- 3 Click the [OK] button on the [Software Operation Panel] window.
- 4 A message appears. Click the [OK] button.  
⇒ The [Software Operation Panel] window closes, and the ink counter is cleared.

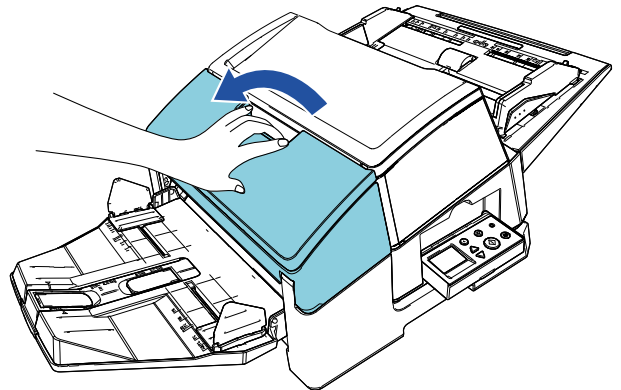
## 3.5 Removing Jammed Documents

If a document jams, remove the jammed document as follows:

### ATTENTION

Open the ADF and the print section to remove the jammed document. Do not pull out the document forcefully.

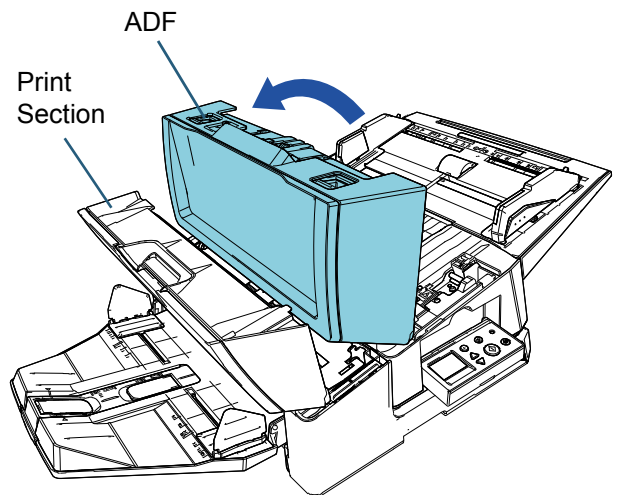
- 1 Remove the documents from the ADF paper chute (feeder).
- 2 Hold the middle part of the print section, and open it as shown in the figure.



### ATTENTION

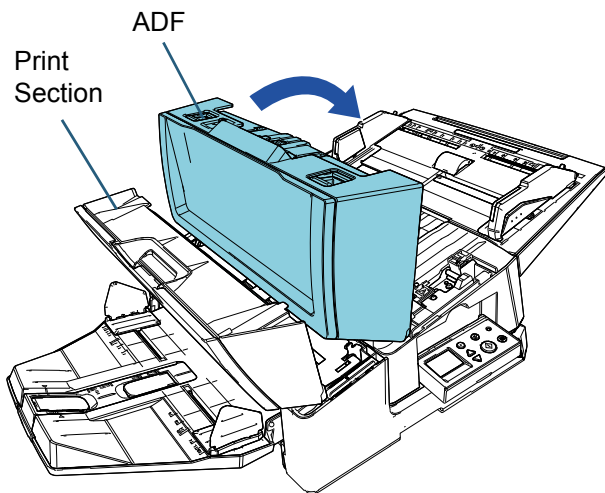
When you open the ADF, be sure to open the print section beforehand.

- 3 Open the ADF.

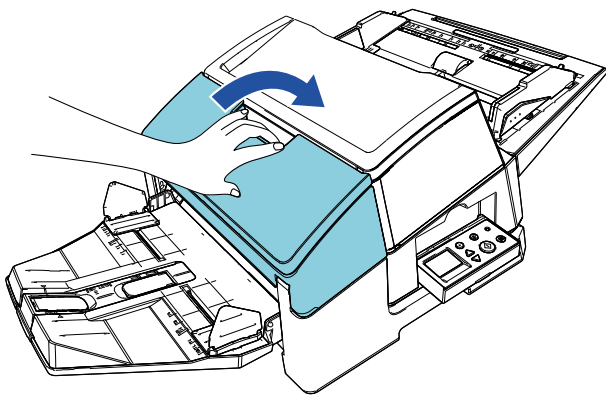


- 4 Remove the jammed document.

**5** Close the ADF.



**6** Hold the middle part of the print section, and close it as shown in the figure.



**ATTENTION**

- Make sure that the ADF is closed before you close the print section.
- Be careful not to get your fingers caught.

# Chapter 4 Daily Care

## 4.1 Cleaning the Print Cartridge

Ink stains stuck to the nozzle plate of the print cartridge or leaving the imprinter unused for a while may cause poor print quality due to a clogged nozzle. If your imprinter has these types of trouble, clean the nozzle plate of the print cartridge.

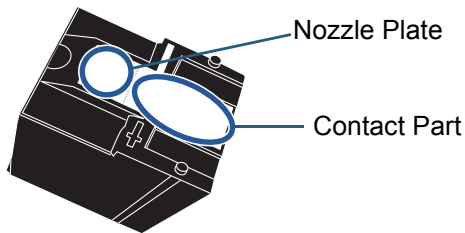
### ATTENTION

For cleaning, use a dry lint-free cloth, and gently wipe off the excess ink from the surface of the nozzle plate. (Do not use a tissue.)

### HINT

If the nozzle is still clogged after cleaning the print cartridge, replace it with a new cartridge.

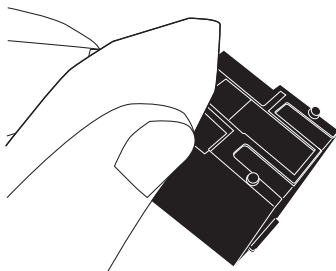
- 1 Turn off the scanner.
- 2 Remove the print cartridge.  
(Refer to "3.4 Replacing the Print Cartridge" (page 14).)



### ATTENTION

Be careful not to touch the nozzle plate or the contact part with your hand as this may cause poor print quality or contact errors.

- 3 Wipe off the excess ink on the nozzle plate gently.



- 4 Make sure that the excess ink is removed and then reinstall the print cartridge.  
(Refer to "3.4 Replacing the Print Cartridge" (page 14).)

### ATTENTION

When installing the print cartridge, install it properly.

## 4.2 Cleaning the Imprinter

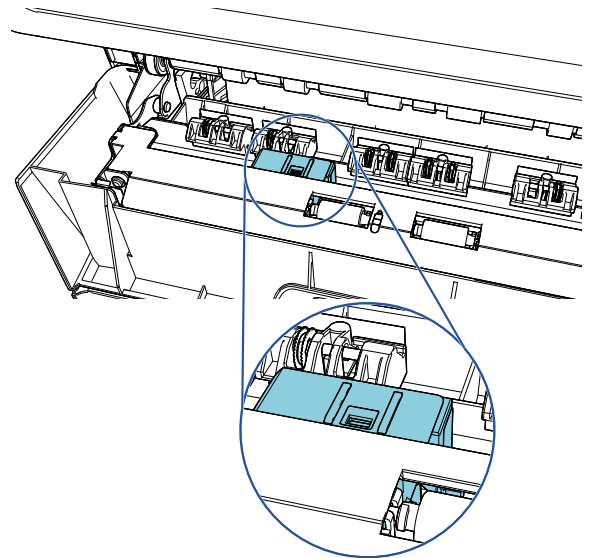
While you use the imprinter frequently, ink sticks to the print cartridge holder base which makes the paper dirty. As a part of daily maintenance, clean the print cartridge holder base by following the procedure below.

### ATTENTION

When cleaning, use an absorbent cloth or a waste cloth, and gently wipe off the ink.

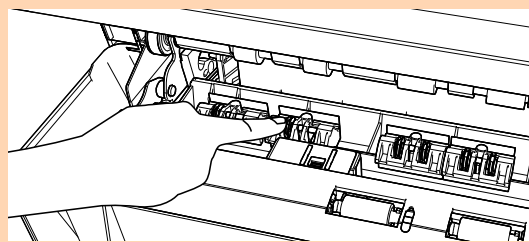
If the ink is dried, gently wipe it with a moistened cloth. (Since the ink is water soluble, it can be cleaned with water.)

- 1 Turn off the scanner.
- 2 Remove the print cartridge.  
(Refer to "3.4 Replacing the Print Cartridge" (page 14).)
- 3 Open the print section.
- 4 Clean the print cartridge holder base by pressing a cloth or a waste cloth gently on it to wipe off the ink.



### ATTENTION

When cleaning, be careful not to touch the metal wheels located at the print section.



- 5 Confirm that the ink is removed and then close the print section.
- 6 Reinstall the print cartridge.  
(Refer to "3.4 Replacing the Print Cartridge" (page 14).)

### 4.3 Cleaning the Rollers

When ink or paper dust is stuck on the imprinter feed roller surfaces, documents may not feed smoothly. To prevent feed problems, clean the roller surfaces regularly.

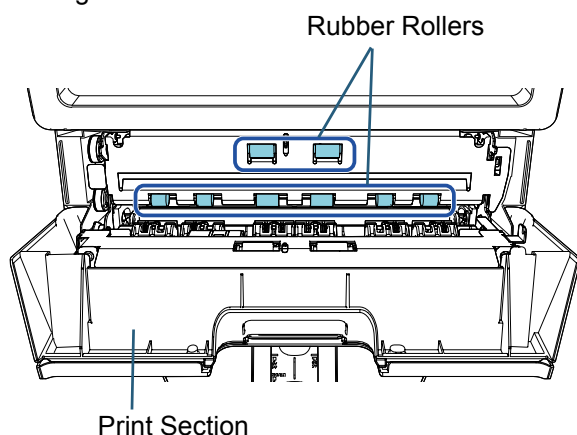
#### ATTENTION

It may take a long time to dry if an excessive amount of Cleaner F1 is used. Use it in small quantity. Wipe off the cleaner completely to leave no residue on the cleaned parts.

#### HINT

The recommended cleaning cycle is every 5,000 sheets. The actual cleaning cycle may be shorter depending on how often the imprinter is used and the documents.

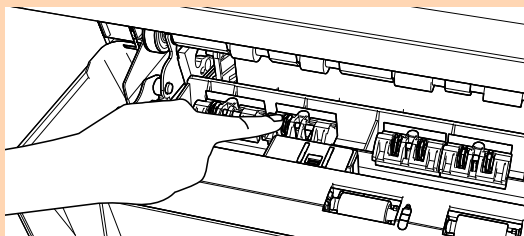
- 1 Open the print section.
- 2 Clean the rubber rollers.  
Clean the rubber rollers (eight in total) under the feeding section.



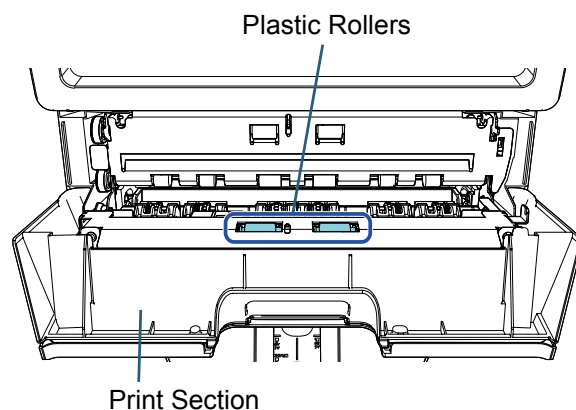
Gently wipe the dirt and dust off the surface of the rollers with a cloth moistened with Cleaner F1. Clean the entire surface of the rubber rollers as you rotate them manually.

#### ATTENTION

When cleaning, be careful not to touch the metal wheels located at the print section.





- 3 Clean the plastic rollers.  
Clean the two plastic rollers (black) at the print section.



Rotate the rollers manually while gently wiping the dirt and dust off the surface of the rollers with a cloth moistened with Cleaner F1.

- 4 Confirm that the dirt is removed and then close the print section.

### 4.4 Cleaning Materials

Name	Part No.	Notes
Cleaner F1 	PA03950-0352	Volume: 100 ml
Cleaning Wipe 	PA03950-0419	24 packets (*1)

\*1: Pre-moistened with Cleaner F1. It can be used instead of moistening a cloth with Cleaner F1.

#### ATTENTION

In order to use the cleaning materials correctly and safely, read the precautions on each product thoroughly.

For information about the cleaning materials, contact your FUJITSU scanner dealer or an authorized FUJITSU scanner service provider.

# Chapter 5 Error Messages

This chapter explains the imprinter error messages.

Error codes and error messages are displayed on the LCD. Refer to the error codes and the error messages that are displayed for troubleshooting.

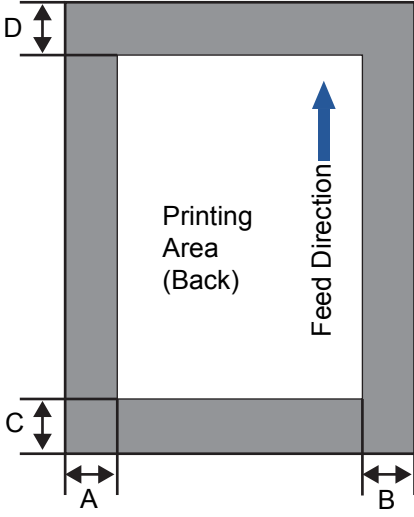
## HINT

For details on the error messages and other errors, refer to the Operator's Guide provided with the scanner.

Error Code	Error Details	Action
J1:5A	Paper jam (Imprinter)	Try the following: 1. Remove the jammed document from the imprinter. 2. Make sure that the document is an appropriate one for scanning with the imprinter. 3. Clean the rollers.
U5:4A (*1)	Imprinter Cover Open	Close the print section of the imprinter, and load the document again.
U6:B4	Print cartridge not installed	No print cartridge is installed. Check if the print cartridge is installed correctly.
U7:B9	Imprinting area error	Adjust the imprinting start position and the imprinter strings to fit the imprinting area in the document.
A1:B3	Imprinter error (communication timeout)	An error occurred in the imprinter. Try the following: 1. Confirm that the EXT cable of the imprinter is connected properly to the EXT connector on the back of the scanner. 2. Check if the print cartridge is installed correctly. 3. Turn the scanner off then back on. If the problem persists, write down the displayed error code and contact your FUJITSU scanner dealer or an authorized FUJITSU scanner service provider.
A3:B6	Imprinter error (EEPROM)	
A4:B8	Imprinter error (ROM)	
A2:B5	Imprinter error (print head)	An error occurred in the imprinter. Try the following: 1. Confirm that the EXT cable of the imprinter is connected properly to the EXT connector on the back of the scanner. 2. Check if the print cartridge is installed correctly. 3. If you have a new print cartridge, replace the old print cartridge with the new one. 4. Turn the scanner off then back on. If the problem persists, write down the displayed error code and contact your FUJITSU scanner dealer or an authorized FUJITSU scanner service provider.
H6:B1	Imprinter system error	An error occurred in the imprinter. Turn the scanner off then back on. If the problem persists, write down the displayed error code and contact your FUJITSU scanner dealer or an authorized FUJITSU scanner service provider.

\*1: When you open the imprinter print section while the scanner is in standby, only an error message will appear without an error code. Also, note that buttons on the operator panel are disabled while the imprinter print section is open.

# Chapter 6 Specifications

Item	Specification
Printing Method	Thermal inkjet printing
Print Timing	Post printing, back surface printing
Printing Characters	Alphabet: A to Z, a to z Numeric characters: 0, 1 to 9 Symbols: ! " # \$ % & ' ( ) * + , - . / : ; < = > ? @ [ ¥ ] ^ _ ` {   } ~
Maximum Number of Characters per Line	Maximum of 43 digits
Print Orientation	Normal, Bold: 0°, 180° (horizontal), 90°, 270° (vertical) Narrow: 0°, 180° (horizontal)
Character Size	Normal, Bold: Height 2.91 × width 2.82 mm/0.1146 × 0.1110 in. (horizontal orientation), Height 2.82 × width 2.91 mm/0.1110 × 0.1146 in. (vertical orientation) Narrow: Height 2.91 × width 2.12 mm/0.1146 × 0.0835 in. (horizontal orientation)
Character Pitch	3.53 mm/0.1390 in. (Normal, Bold), 2.54 mm/0.10 in. (Narrow)
Font Style	Regular, Bold
Character Width	Normal, Bold, Narrow
Document That Can Be Scanned	Documents that can be scanned with the scanner For details, refer to the Operator's Guide provided with the scanner. Note that paper weight should be 52 to 128 g/m <sup>2</sup> (14 to 34 lb). <div style="background-color: #ffe4c4; padding: 10px; margin-top: 10px;"> <p><b>ATTENTION</b></p> <ul style="list-style-type: none"> <li>Documents with glossy surface such as thermal paper, thermal transfer paper, coated paper, and art paper take longer time for the ink to dry and may cause poor print quality. The imprinter must be cleaned more frequently if you use these types of papers.</li> <li>Thick plastic documents such as credit cards and a Carrier Sheet cannot be scanned when the imprinter is installed.</li> </ul> </div>
Printing Area	 <p>A = 5 mm            B = 5 mm            C = 5 mm            D = 5 mm            (0.20 in.)</p> <div style="background-color: #ffe4c4; padding: 10px; margin-top: 10px;"> <p><b>ATTENTION</b></p> <p>Do not print within 5 mm from the edge of the document.</p> </div>
Accuracy of Printing Position	±4 mm/0.16 in. from the starting point for feed direction
Dimension	Without scanner: 360 (W) × 435 (D) × 228 (H) (mm)/14.17 (W) × 17.13 (D) × 8.98 (H) (in.) With scanner: 360 (W) × 435 (D) × 264 (H) (mm)/14.17 (W) × 17.13 (D) × 10.39 (H) (in.) (Excluding the interface cable, ADF paper chute (feeder) and stacker)
Weight	4.2 kg (9.26 lb)

---

Item	Specification
Ambient Condition	Temperature: 10 to 35°C (50 to 95 °F), Humidity: 20 to 80%
Consumable	Print cartridge (PART No.: CA00050-0262) (See "Contact for Purchasing Consumables or Cleaning Materials" (page 23).) The printable number of characters: 4,000,000 characters (The printable number of characters differs depending on the characters to be printed.) Replacement cycle: 4,000,000 characters or six months after opening (A print cartridge has a specific expiration date, and the expiration period differs whether the package is opened or not. Start using the print cartridge before the expiration date that is written on the package.)

# Contact for Inquiries

---

Refer to the contact list on the last page of the Safety Precautions manual.

- **Image Scanner fi Series**

For other inquiries regarding the scanner, refer to the following web page:

<http://imagescanner.fujitsu.com/g-support.html>

If the solution to your problem cannot be found on the above web page, refer to the contact information for your Fujitsu office on the following web page:

<http://imagescanner.fujitsu.com/warranty.html>

- **Contact for Purchasing Consumables or Cleaning Materials**

[http://www.fujitsu.com/global/shop/computing/IMAGE\\_index.html](http://www.fujitsu.com/global/shop/computing/IMAGE_index.html)



---

**fi-760PRB Imprinter**

**Operator's Guide**

**P3PC-6112-01EN**

**Issue date: June 2017**

**Issued by: PFU Limited**

---

- The contents of this manual are subject to change without notice.
- PFU Limited assumes no liability for incidental or consequential damages arising from the use of this product, and any claims by a third party.
- Copying of the contents of this manual, in whole or in part, as well as the scanner applications is prohibited under the copyright law.